



BEDROOMS WITH LIFESPACE

PRODUCT INFORMATION MANUAL

JULY 2021

WARDROBES

The wardrobe is constructed from 18mm MFC utilising 18mm back rails (grooved), 8mm backs and a 25mm shelf. The wardrobe is designed to be assembled in the upright position using cam and dowel minifix fittings. It is supplied in two packs - End pairs (B***WREP), Horizontals including backs (B***WRH500) and is available in 6 colours – White (WH), Oyster (OY), Kristal Oak (KR), Silver (SI), Sand Oak (SN) and Linen (LN).

Each wardrobe is supplied with one hanging rail and one 25mm shelf, which is adjustable for single or double hanging. If double hanging is required, please order an extra length of hanging rail.

Available in 4 heights – 2232mm / 2050mm / 1513mm / 1331mm Widths availability please refer to Retail Price Guide.

**


*

WH	White	T(W)	Tall Wardrobe End Pair
OY	Oyster	M(W)	Medium Wardrobe End Pair
SI	Silver	T(C)	Child Robe End Pair
KR	Kristal Oak	M(C)	Child Robe End Pair
SN	Sand Oak		
LN	Linen		


ASSEMBLY INSTRUCTIONS

Step 1

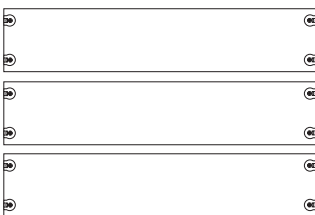
Insert 2 standard cams to both plinths




Insert 4 rafx cams to bottom of top panel




Insert 4 rafx cams to all three back panels



Insert 2 rafx cams to bottom of base panel

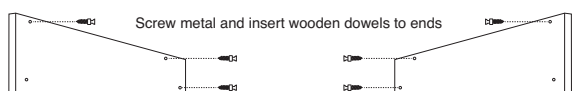


Insert 4 rafx cams to bottom of shelf panel

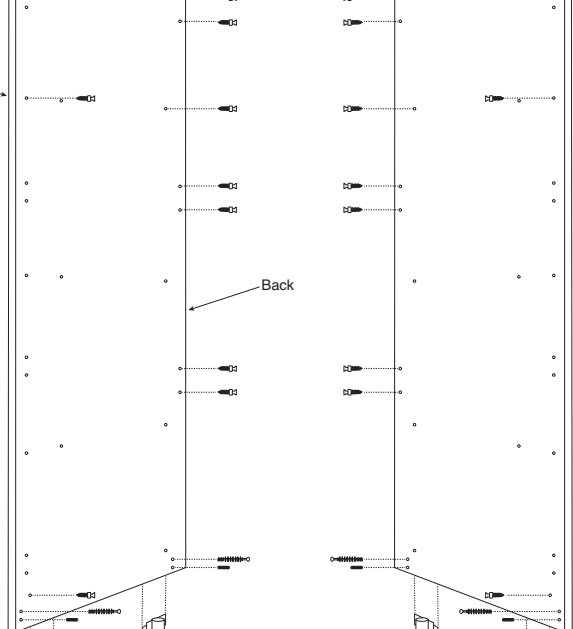


Instructions for 2232mm high, for lower height wardrobes see notes on step 6

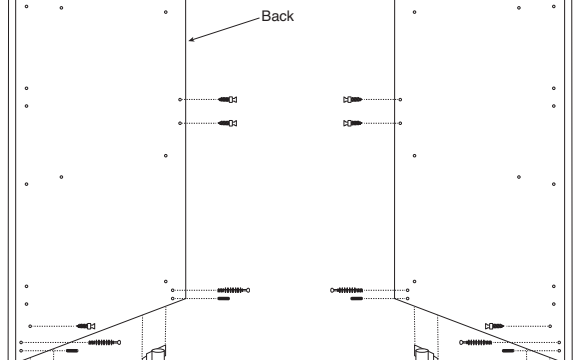
Screw metal and insert wooden dowels to ends




Full hanging option



Back

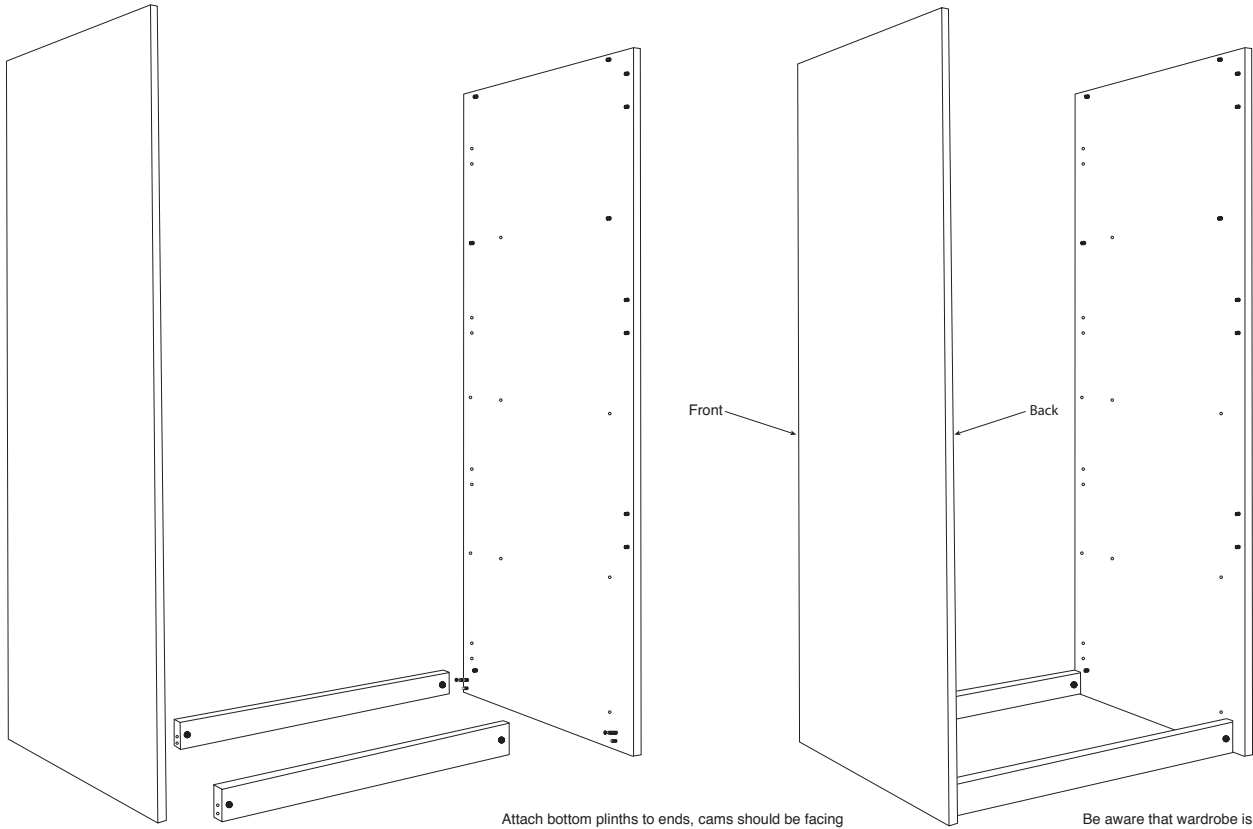


Adjustable feet



Hammer required for rafx cams please ensure the cams are straight

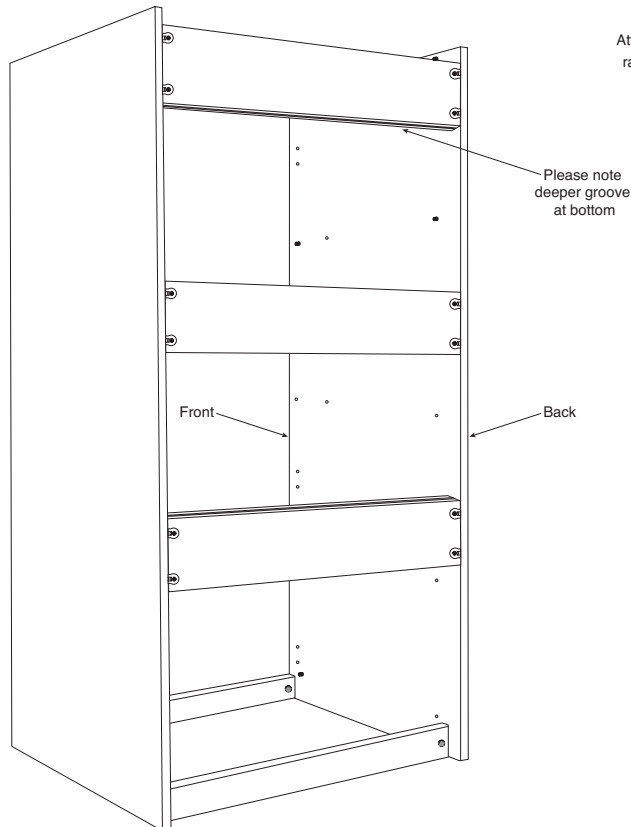
Step 2



Attach bottom plinths to ends, cams should be facing towards the back and tightened with a screwdriver

Be aware that wardrobe is fragile at this point to the completion of step 3

Step 3



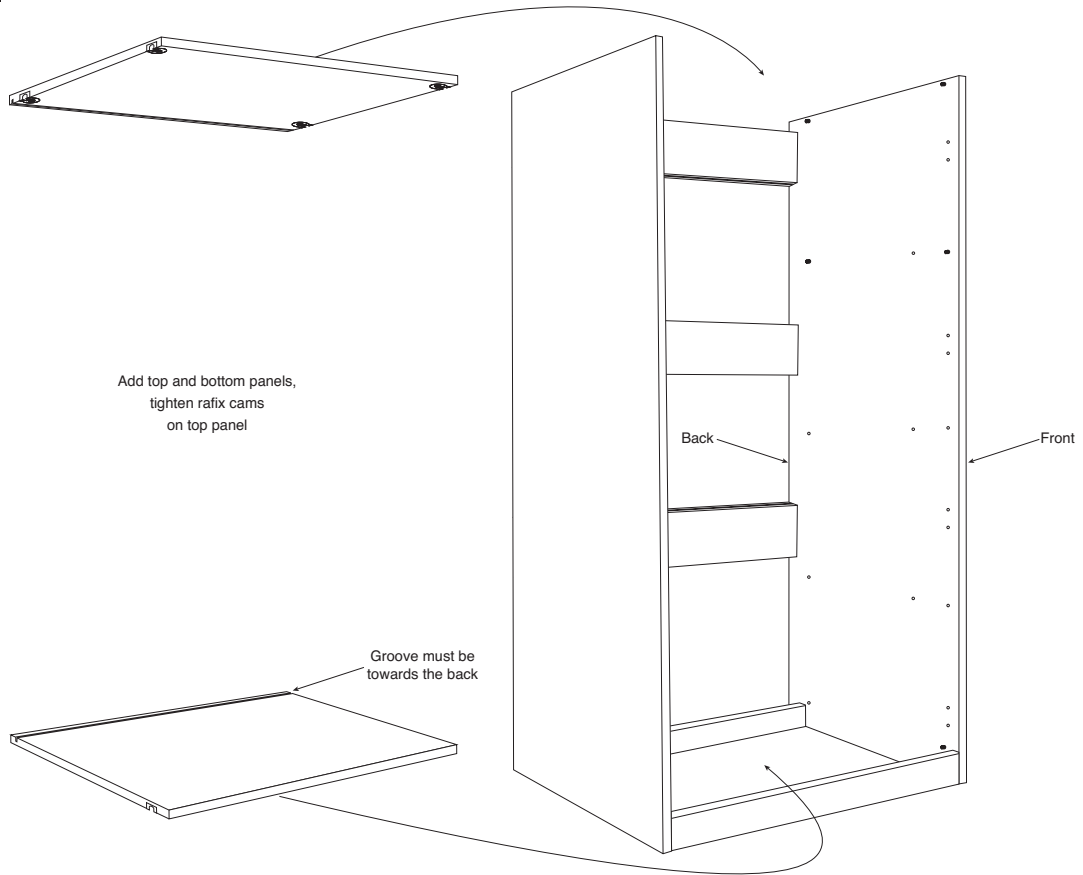
Attach back panels and tighten rafter cams with a screwdriver

Please note deeper groove at bottom

Front

Back

Step 4

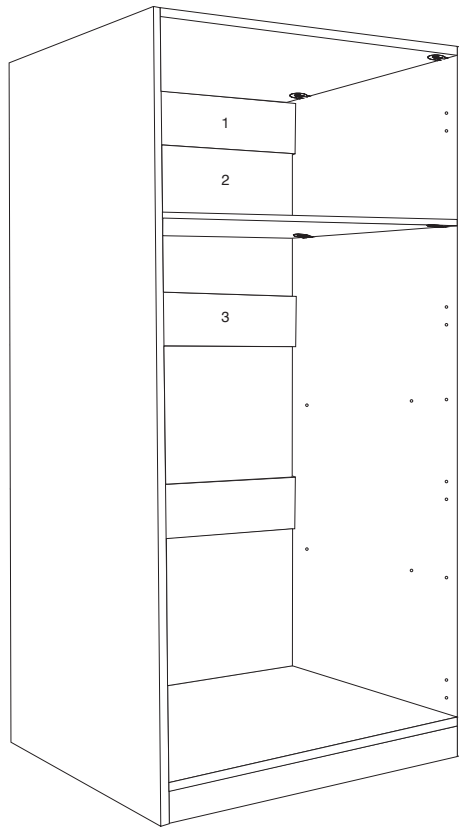


Step 5



Use suction pad to insert 8mm back panels into top grooves, straighten up and drop down into bottom grooves

Step 6



Add shelf panel
and tighten
rafix cams

2050mm high - Omit 1
1513mm high - Omit 1 and 2
1331mm high - Omit 1, 2 and 3

[youtube.com/mywaterline](https://www.youtube.com/mywaterline)

WARDROBE HEIGHTS 2232mm / 2050mm / 1513mm / 1331mm

Omit back 1, 2 or 3 where appropriate for lower height wardrobes.

Cornice is top fixed and optional. The constructional plinth is carcass (MEL) matched as are the exterior ends. It is advised to assemble the 1331 high wardrobe on the floor as there is no tolerance to retro fit the 8mm backs.

DRAWER WARDROBES (LINEN PRESS)

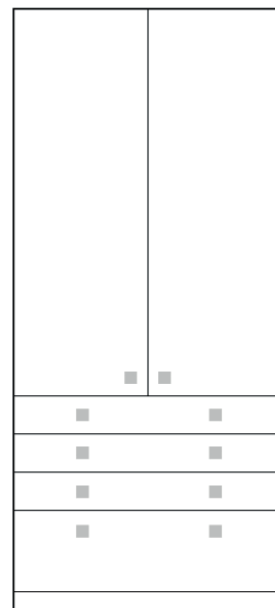
2/3/4/5 drawer wardrobes are available at heights 2232mm and 2050mm.

See price list for size options.

Drawer type – Blum Intivo White (Glass sided)
550mm deep.

The drawer wardrobe has a different end pair (B***LREP) which is drilled for all the drawer combinations. The wardrobe is constructed in the same way as the standard wardrobe with the shelf fitted approximately 720mm from the bottom.

Leave out the base and lowest 8mm back panel.

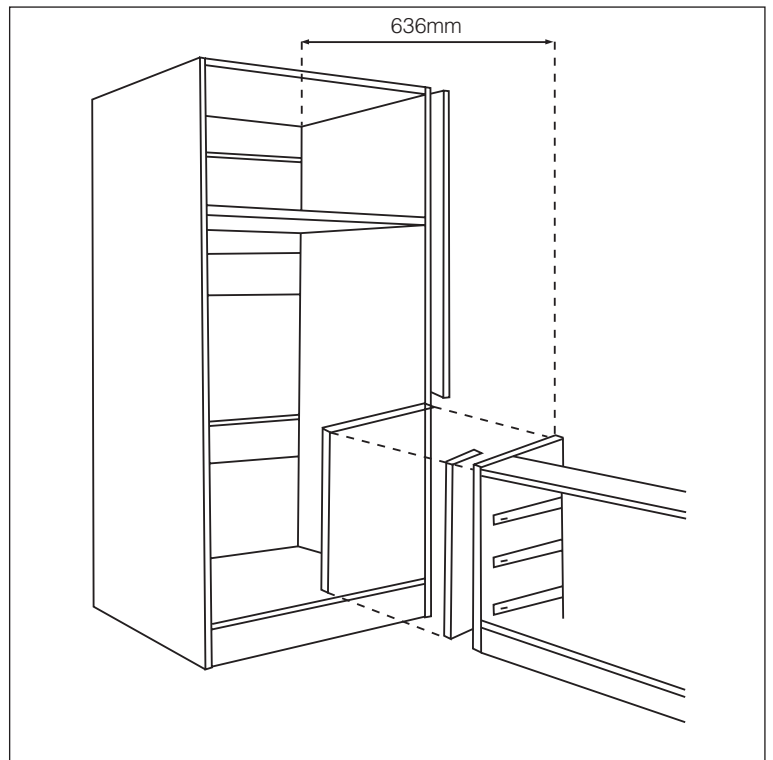


STABLE DOOR WARDROBE

The Stable Door wardrobe is to be used in conjunction with 3 Drawer Chests and Bedroom Cabinets. A 20mm filler (Plinth **LFP24) is supplied which acts as a spacer between the unit and adjacent wall and between the unit and 3 Drawer Chest, see drawing. Some adjustment will be needed to the 20mm filler at point of installation as it is supplied in one piece.

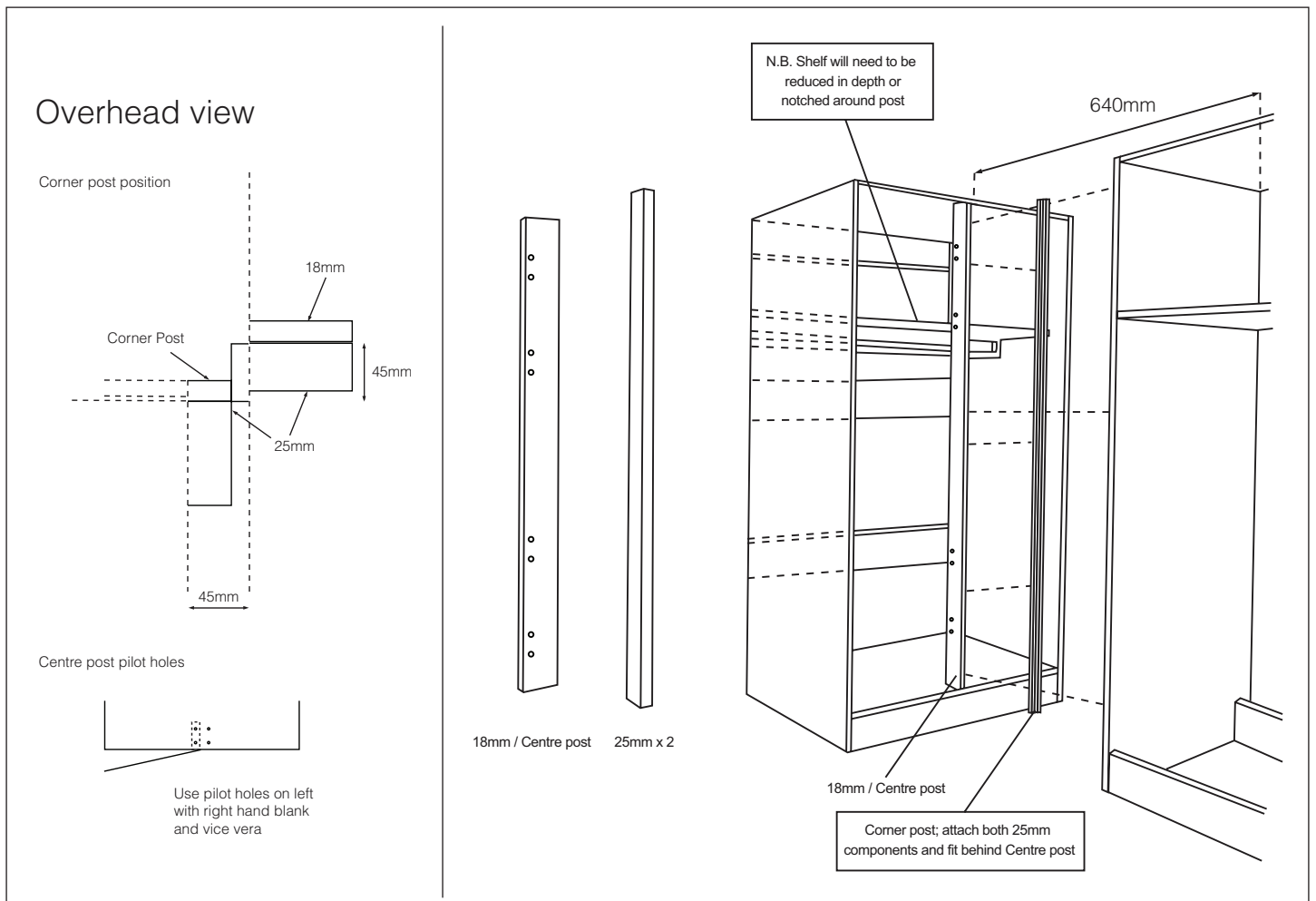
A blank panel is supplied which fixes to the wardrobe below the stable door with hinges.

The lower 2 hinge plate drillings on the stable side will need repositioning.



STANDARD CORNER WARDROBE

The standard corner wardrobes are supplied with one wardrobe door and one corner post (dimension 45mm x 45mm). When fitting, allow a void of 90mm for a 1090mm corner wardrobe (900mm wardrobe with a 450mm door), or 140mm void for a 1140mm corner wardrobe (1000mm wardrobe with a 500mm door). Care should be taken when planning drawers in a corner situation to avoid handles clashing.



DIAGONAL CORNER WARDROBE

Use a 450mm wardrobe door for a 930mm x 930mm diagonal wardrobe, or a 500mm door for a 965mm x 965mm diagonal wardrobe.

The diagonal corner wardrobe is intended to be used in conjunction with adjacent wardrobes. 2 x 8mm fillers are supplied to space the unit 8mm forward of adjacent wardrobe to ensure door clearance. An 8mm notch is required in ends prior to assembly if Fascia Plinth (FSC) is being fitted. Diagonal corners should always be assembled upright.

Assembly: Insert the circular cams and 5mm wooden dowels into the two support rails (81mm) and fix them to the constructional plinth. This creates a base frame upon which the unit can be constructed. Then fix the single back panel to the two support rails and place the base panel onto the base frame with the cams up. The two backs and end pairs can then be fixed to the base and also to each other. The hinges that are supplied with the carcass should be used, not the hinges supplied with the doors.

The top is dropped on at the end as with standard wardrobes.

CHISEL END WARDROBE

The Chisel End unit is supplied with 3 packs. The long chisel end, horizontal pack and the short chisel end which is fascia matched.

Assembly: The same as a standard wardrobe except the base panel must have the cams facing up as the plinth is not constructional. The top and bottom panel are reversed to hand the unit and the plinth is fixed to the underside of the base. The hinges that are supplied with the carcass should be used, not the hinges supplied with the doors. The plinth must be connected to the base prior to installation. The base needs to be fixed in position before the short end is located.

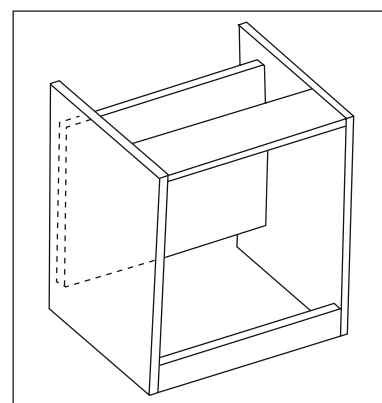
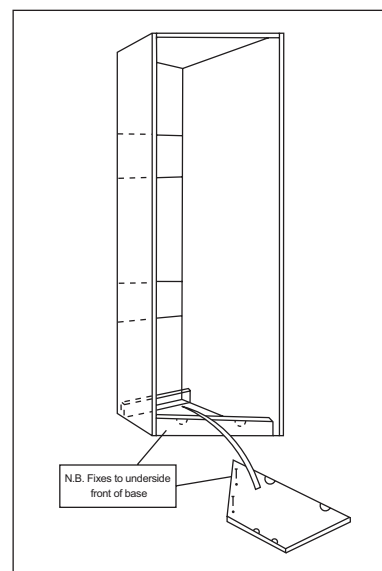
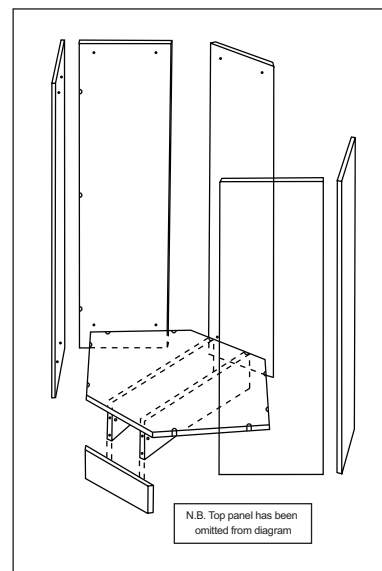
BEDROOM DRAWER CHESTS

Please refer to Retail Price Guide for size options. The drawer is a white glass sided Blum Intivo soft close type. Please note it is not interchangeable with the Crown Imperial Kitchen drawers. Chests are constructed of 18mm MFC with cam and dowel mini fix. The constructional plinth is carcass (MFC) matched as are the ends and therefore Fascia Plinth is optional. There is a spare 83mm plinth rail supplied. This is the back in a 2 drawer chest as the one supplied is oversized.

Assembly: Insert all cams, wooden and metal dowels into the appropriate positions. (Large back panel carries a 5mm wooden dowel in between the cams and middle size top rail carries an 8mm wooded dowel in between the cams). Fix the three horizontals (back, top rail and plinth) to one of the ends, tighten all cams and then locate opposite end in the same way. Please note the second plinth rail is used as an extra horizontal in a 4 and 5 drawer unit. It can be used as the back in a 2 drawer unit or back panel needs to be cut.

BEDROOM CABINETS

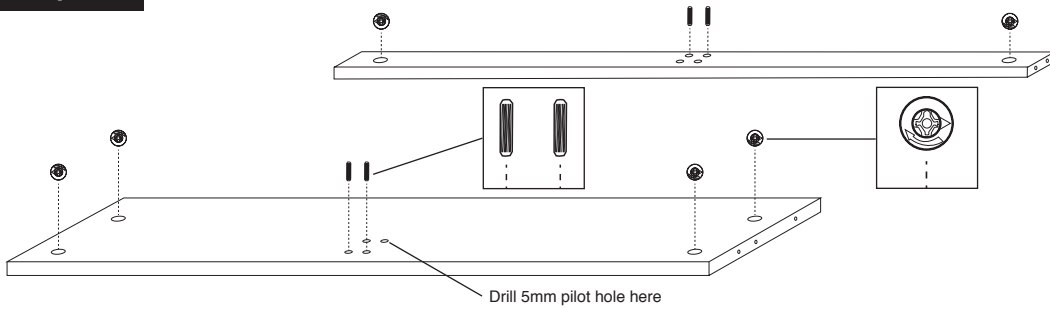
Bedroom cabinets are alternatives to 3 drawer chests and are supplied with a loose base panel.



KNEEHOLE UNITS ASSEMBLY INSTRUCTIONS 600 / 800mm

These units may be used between wardrobes or chests to form a kneehole dressing table unit.

Step 1

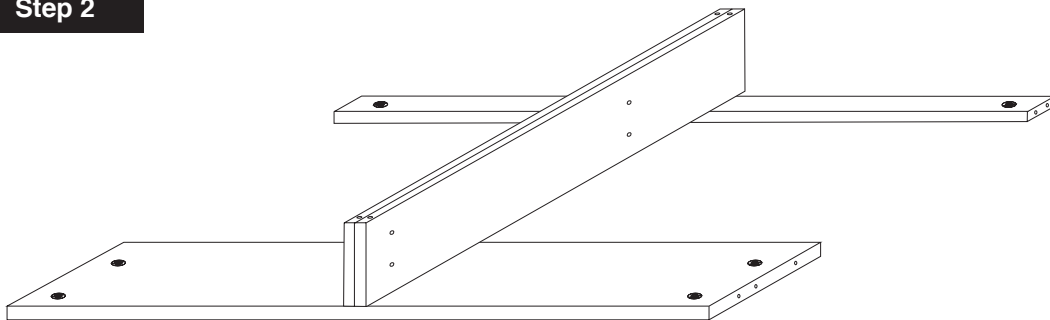


Insert wooden dowels and metal cams with arrows pointing outwards to base parts 1 and 2

Drill 5mm pilot hole to part 1

Please note single drawer (600) does not require centre dowels or pilot holes to be drilled top and bottom

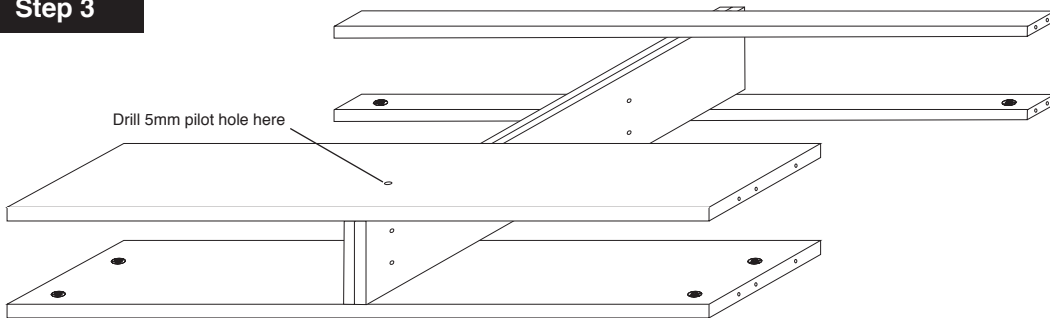
Step 2



Attach centre parts 4 and 4 to base parts 1 and 3

Please note (600) single drawer not supplied with centre rails

Step 3

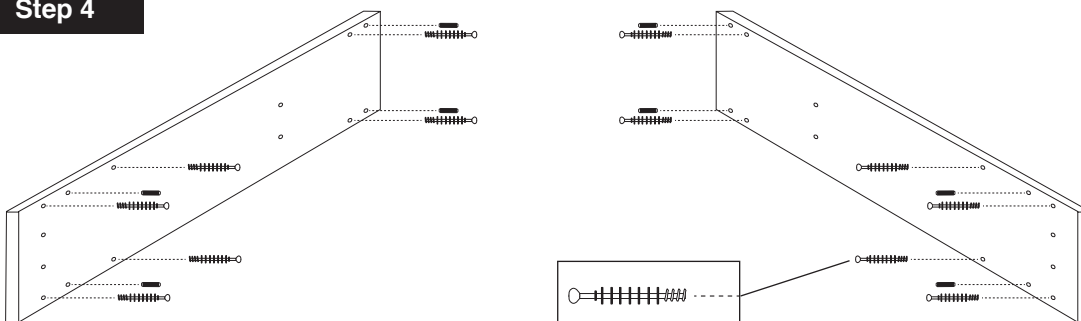


Insert wooden dowels and metal cams with arrows pointing outwards as per step 1 to top parts 1 and 2

Drill 5mm pilot hole to top part 1 as per bottom part 1

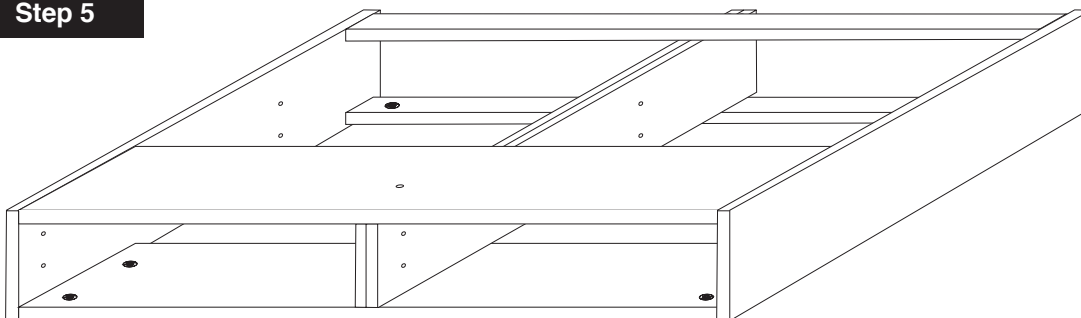
Then attach to parts 4 and 4

Step 4



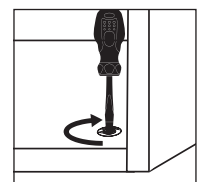
Insert wooden and metal dowels to left and right parts 3 and 3

Step 5



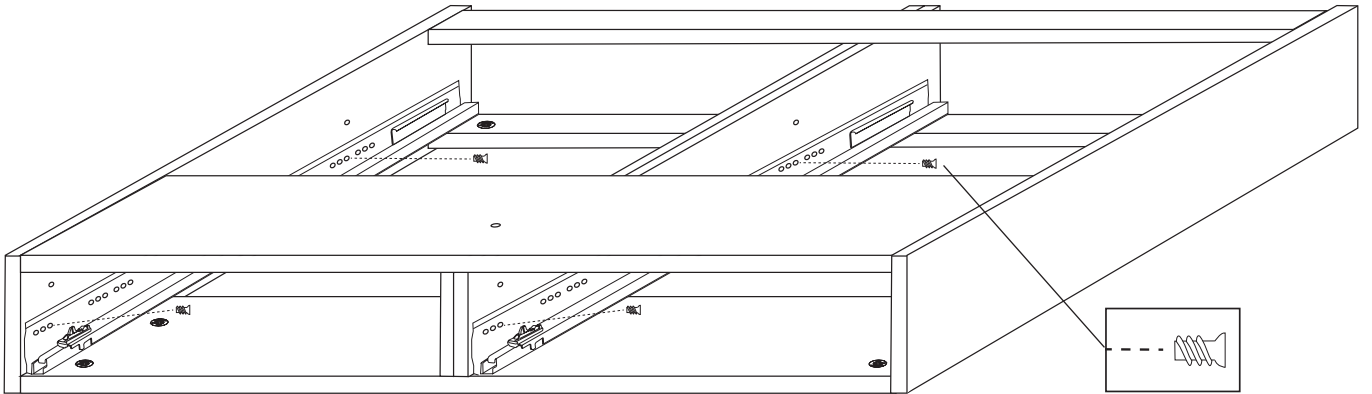
Attach left and right parts 3 and 3

Tighten all metal cams with a screwdriver



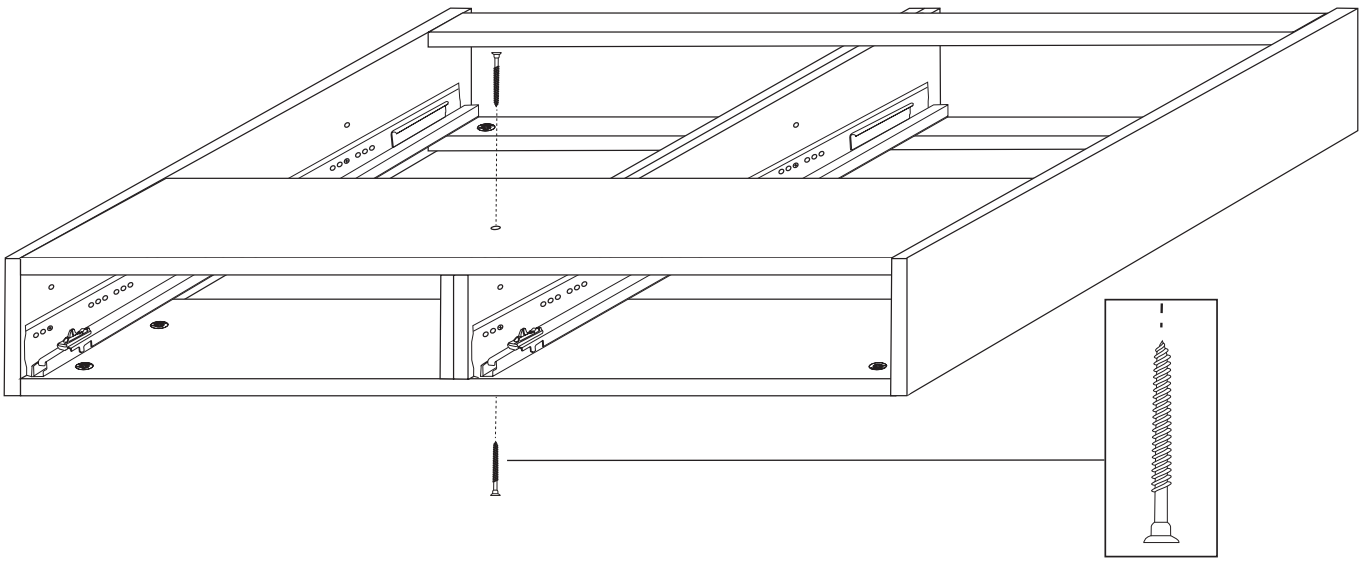
Step 6

Add left hand runners by screwing euro screws into holes 3 and 12, then repeat for right hand runners



Step 7

Screw black screws into top and bottom pilot holes that were drilled in step 1 and 3



VANITY CABINETS 600 / 800MM

Vanity cabinets can be supplied with a top dummy drawer or working drawer and they are the same height as a 4 drawer chest. Basins are not supplied and the cabinet and top will need to be cut for any necessary plumbing. Please note there is an extra rail supplied for use in a vanity cabinet. See page 7.

BEDROOM TOP BOXES

Top boxes are constructed from 18mm MFC utilising 8mm backs and concealed hanging brackets. Cams face in and the 800 / 900 / 1000mm top boxes have a central division.

Assembly for 1 Door: Insert all cams, wooden and metal dowels into appropriate positions. Fix the top and bottom to one end, slide back in followed by opposite end.

Assembly for 2 Door: Insert all cams, wooden and metal dowels into appropriate positions. Fix the top and bottom to the central division creating a 'H' section. Fix this to one end, then slide the 8mm back in followed by opposite end.

WARDROBE INTERIOR COMBINATIONS

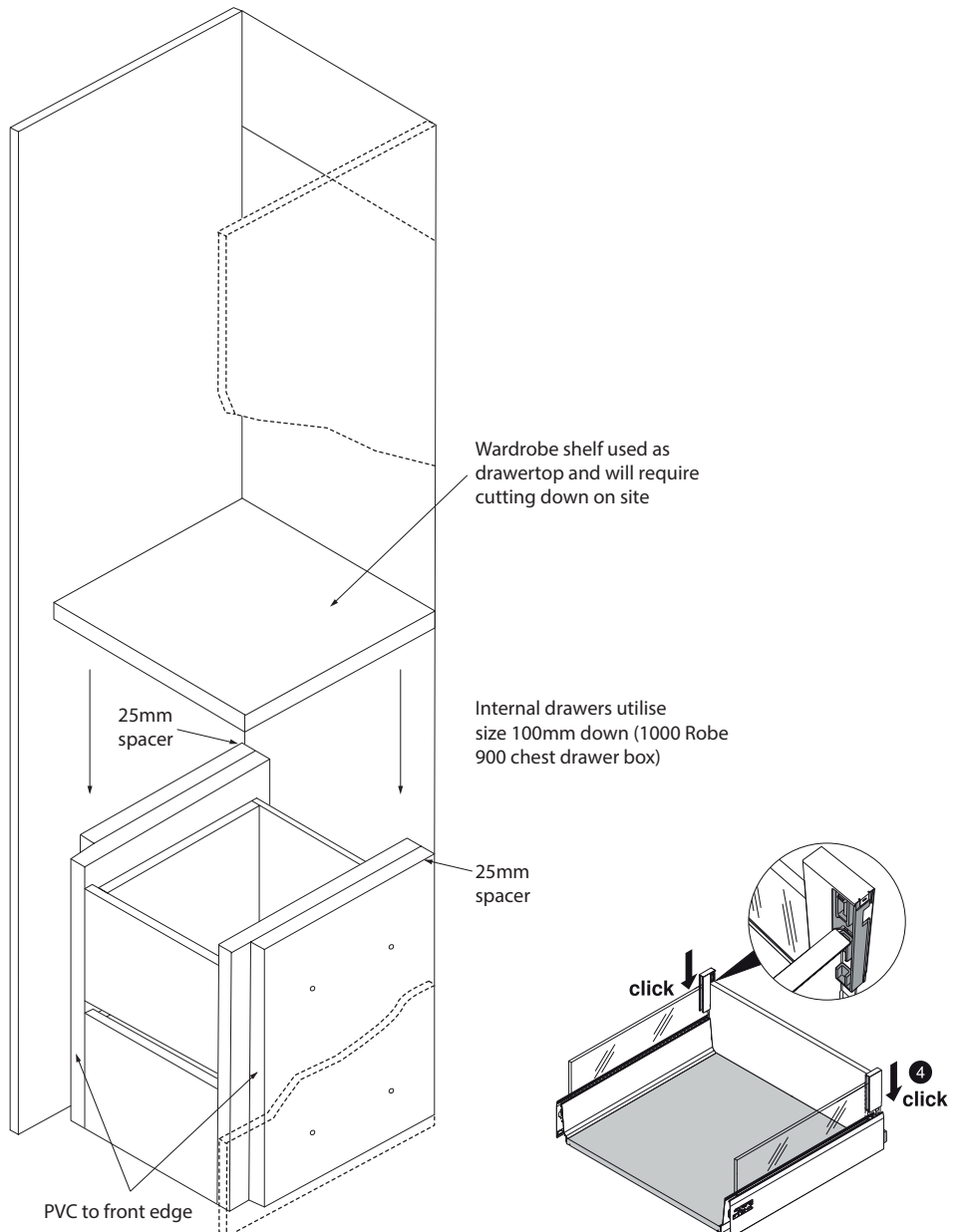
SHELF PACK

Available for all wardrobe widths and carcass matched. Please note it's not possible to use standard shelves on both sides of a division. Shelf packs are supplied in packs of 2. They are constructed of 25mm MFC and supplied with fixed cam shelf fixings.

WARDROBE DIVISION

The wardrobe 25mm interiors division panel is dimensioned to fit the full height of the wardrobe interior.

WARDROBE INTERIOR DRAWERS



LIFESPACE

GENERAL

LifeSpace operates with 5 cabinet colours (White, Oyster, Kristal Oak, Silver, Sand Oak and Linen) with a 720 x 655 cabinet dimension and 83mm carcass (MEL) matched constructional plinth.

The drawer system is a purpose designed locking filing drawer with A4 and Foolscap file hanging options. Please note the filing drawer utilises a different drawer runner to the Bedroom and is not interchangeable. All base cabinets have gable end and are supplied with floor levellers. All hinges are standard integral soft close. Wall cabinets are supplied with concealed hanging brackets and constructed of 18mm MFC utilising 8mm back panels. Please refer to the back of the retail price guide for further information.

PLANT ON END PANELS

Edged on all 4 edges. See retail price guide for dimensions and availability. Please note: Midsomer painted panels are finished 100mm from back edge.

END PANEL LIST

Please refer to retail price guide for dimensions and availability.

DESKS & CHEST TOPS

All 1600mm tops are reversible except Furore and Zeluso which are handed. The chest tops allow for end panels.

LIFESPACE OPEN SHELVING

We have developed a unique shelving system to complement our Lifespace furniture system. Possibly the most versatile shelving system available, it may be used independently or combined with the furniture system. In either case, the aim is to deliver a total storage solution exclusively designed to meet your individual requirements.

Within the system there are three standard heights & two depths. Shelving may be installed using any combination of both height and depth. Changing from one to the other within one installation is perfectly straightforward.

In addition, we offer two shelf space options enabling you to select either 450mm or 355mm spacing between shelves. If you wish to use the shelving to store files, the 450mm spacing is required for foolscap files whilst A4 files fit into the 355mm spacing. In the tallest shelving units, 450mm shelf spacing equates to four spaces high whilst 355mm spacing equates to five spaces high.

If using 185mm depth shelving, a further option exists where 450mm spacing may be sub-divided by installing an intermediate glass shelf. This makes excellent and efficient use of space when storing paperbacks or similar height items.

Most people prefer the aesthetics of the shelving when shelves are installed to run in a continuous line. Structurally, however, it is quite acceptable to have adjacent spacing of 450mm and 355mm. The choice should be dictated by a combination of your possessions and your requirements.

You may choose from five colours and wood effects: Silver, Oyster, White, Kristal Oak and Sand Oak.

PLANNING NOTES:

- 1 Modular shelving system produced from 25mm MFC board finished with 2mm durable radius edging.
- 2 End panels available in three heights 745 - 1430 - 2175mm and two depths 185 - 355mm.
- 3 Shelves in two widths 450 - 900mm.
- 4 A 2175 unit may be ordered with shelf spacing either 4 @ 450mm apertures (Foolscap) or 5 @ 355mm apertures (A4)
In both cases the top and bottom panel are installed in the same position, it is only the intermediate shelf positions which differ.
In view of the substantial options available, Please ensure storage requirements are fully considered at the planning stage and the correct configuration is specified.
- 5 Additional shelves available in packs of either 2 or 3 shelves. Each pack also includes one back panel.
- 6 Two possible corner solutions (using 185mm deep ends only). Creating either a 400 x 400mm or 700 x 700mm corner.
- 7 Concealed storage is possible using the appropriate shelving system door. Choose either a co-ordinating or contrasting fascia supplied with a cushioned soft close stop. Drilling template for the hinge plate and door stop provided.

INSTALLATION / ASSEMBLY NOTES:

- 1 Ends supplied in two configurations
Starter / Finish end - Drilled on one face only.
Continuation end - Drilled on both faces.
- 2 All ends are symmetrically drilled (ie - non-handed).
- 3 Starter / finish ends should be used in all instances where a partially shelved continuation is required or if changing configuration in either height or depth. Use a starter end and drill right through only the holes you require. This leaves the remainder of the exposed face free of holes.
- 4 To ensure installed furniture is level, consideration should be given to the following possible factors:-
Carpet - Carpet Gripper - Skirting Boards
- 5 Levelling feet are supplied with all base cabinets.
Optional levellers are available for shelving system.
- 6 On-site drilling is required for installing glass shelf studs and templates are provided.

TALL WARDROBES

Height: 2232 or 2050 Depth: 596 (excluding fascia)

Single	Double	Single 2 Drawers	Single 3 Drawers	Single 4 Drawers	Single 5 Drawers	Double 2 Drawers
300	600	450	450	450	450	900
400	800	500	500	500	500	1000
450	900	600	600	600	600	
500	1000					
600						

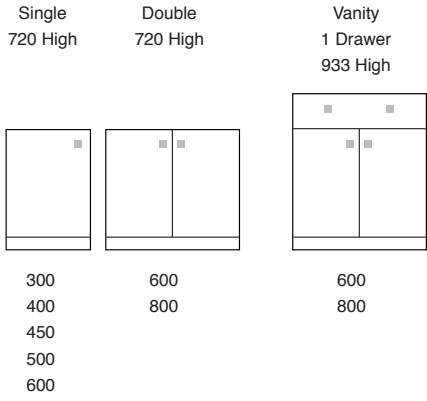
LOW WARDROBES

Height: 1513 or 1331 Depth: 596 (excluding fascia)

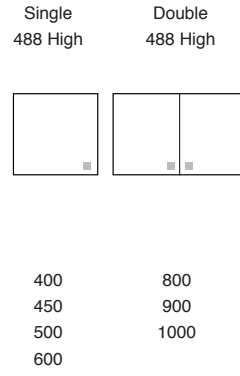
Single	Double	Single	Double
450	900	450	900
500	1000	500	1000
600		600	

Double 3 Drawers	Double 4 Drawers	Double 5 Drawers	Stable Door	Corner	Diagonal	Chisel
900	900	900	300	900 (1090)	930 x 930	400
1000	1000	1000	400	1000 (1140)	965 x 965	450 Door
			500			

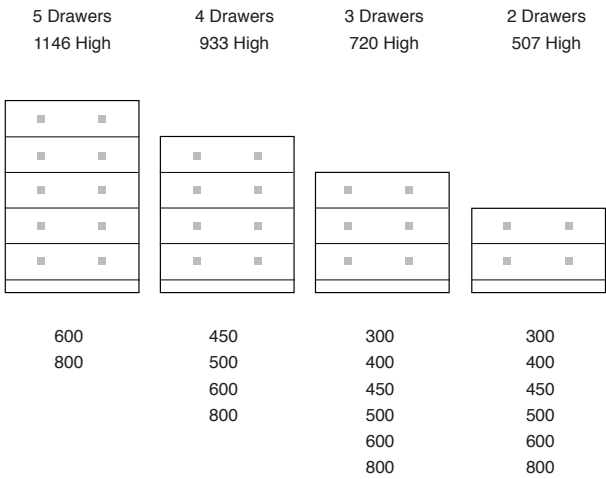
CUPBOARDS Depth: 485 (excluding fascia)



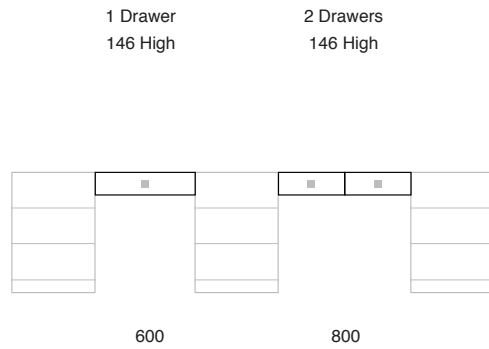
TOP BOX Depth: 485 (excluding fascia)



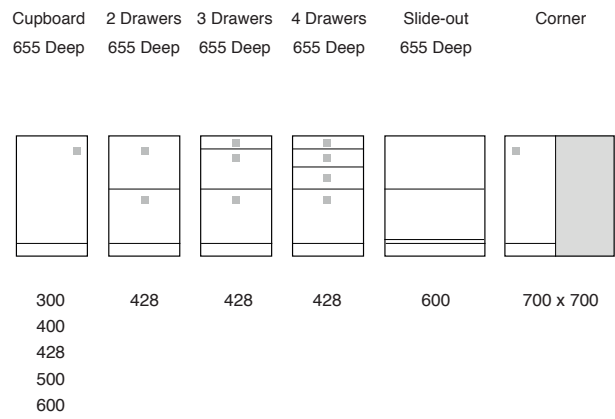
DRAWER CHESTS Depth: 485 (excluding fascia)



DRAWER KNEEHOLE Depth: 485 (excluding fascia)

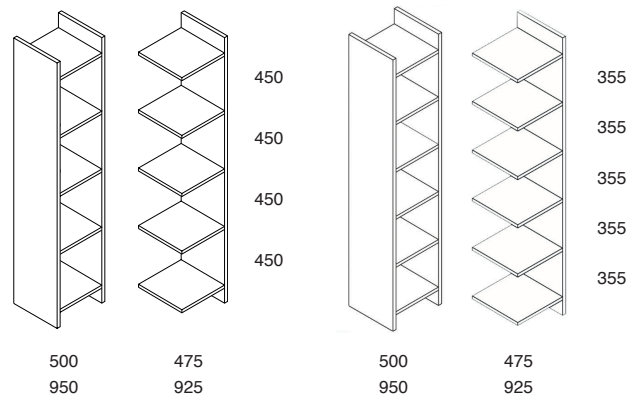


LIFSPACE CUPBOARDS & DRAWERS Height: 720mm

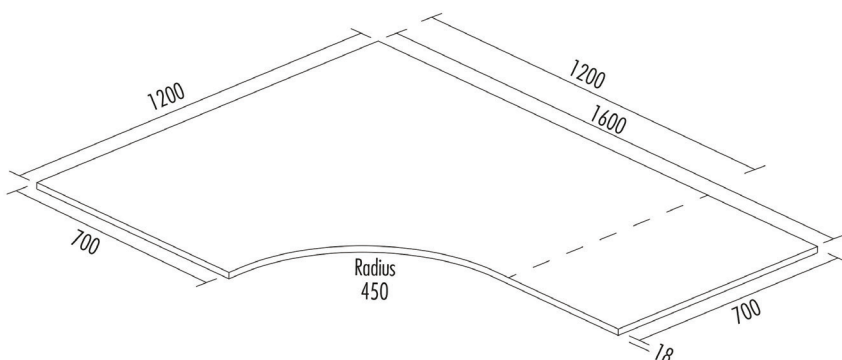


LIFSPACE SHELVING

185 or 355mm Deep



LIFSPACE CURVED DESK TOP



DOOR SPECIFICATION

LOCANO	18mm MFC 2mm PVC radius edge
LOCANO TOUCH	18mm MFC Woodgrain effect 2mm PVC radius edge
TEXTURA	18mm MFC Textured 0.8mm laser edge
FURORE	19mm Secondary Gloss coated Melamine MDF
ZELUSO	19mm Secondary Matt coated Melamine MDF
MIDSOMER	20mm Solid Oak Frame with Veneered Oak Centre Panel
RIMANO	20mm Solid Ash Bevelled Frame and Veneered Centre Panel