

STIHL®

STIHL FS 38

Instruction Manual
Manual de instrucciones



! WARNING

Read and follow all safety precautions in Instruction Manual – improper use can cause serious or fatal injury.

! ADVERTENCIA

Lea y siga todas las precauciones de seguridad dadas en el manual de instrucciones – el uso incorrecto puede causar lesiones graves o mortales.



Instruction Manual

1 - 44

Manual de instrucciones

45 - 92

Contents

Guide to Using this Manual	2	STIHL Incorporated California Exhaust and Evaporative Emissions Control Warranty Statement	41
Safety Precautions and Working Techniques	3	Trademarks	44
Approved Combinations of Cutting Attachment, Deflector, Handle and Harness	15		
Mounting the Loop Handle	16		
Mounting the Deflector	17		
Mounting the Cutting Attachment	17		
Fuel	20		
Fueling	21		
Starting / Stopping the Engine	22		
Operating Instructions	24		
Cleaning the Air Filter	24		
Engine Management	25		
Adjusting the Carburetor	25		
Spark Plug	27		
Engine Running Behavior	28		
Rewind Starter	28		
Storing the Machine	28		
Maintaining the Mowing Head	29		
Inspections and Maintenance by Dealer	33		
Maintenance and Care	34		
Main Parts	36		
Specifications	37		
Special Accessories	38		
Maintenance and Repairs	39		
Disposal	39		
STIHL Incorporated Federal Emission Control Warranty Statement	39		

Allow only persons who fully understand this manual to operate your trimmer.

To receive maximum performance and satisfaction from your STIHL trimmer, it is important that you read, understand and follow the safety precautions and the operating and maintenance instructions in chapter "Safety Precautions and Working Techniques" before using your trimmer. For further information you can go to www.stihlusa.com.

Contact your STIHL dealer or the STIHL distributor for your area if you do not understand any of the instructions in this manual.

WARNING

Because a trimmer is a high-speed cutting tool some special safety precautions must be observed to reduce the risk of personal injury. Careless or improper use may cause serious or even fatal injury.

Make sure your unit is equipped with the proper deflector, handle and harness for the type of cutting attachment being used. Always wear proper eye protection.

STIHL®

This instruction manual is protected by copyright. All rights reserved, especially the rights to reproduce, translate and process with electronic systems.

Guide to Using this Manual

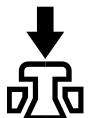
Pictograms

The meanings of the pictograms attached to or embossed on the machine are explained in this manual.

Depending on the model concerned, the following pictograms may be on your machine.



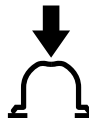
Fuel tank for gasoline and engine oil mixture



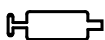
Press to operate decompression valve



Manual fuel pump



Press to operate manual fuel pump



Filler hole for gear lubricant



Air intake summer mode



Air intake winter mode



Handle heating

Symbols in Text

Many operating and safety instructions are supported by illustrations.

The individual steps or procedures described in the manual may be marked in different ways:

- A bullet marks a step or procedure.

A description of a step or procedure that refers directly to an illustration may contain item numbers that appear in the illustration. Example:

- Loosen the screw (1).
- Lever (2) ...

In addition to the operating instructions, this manual may contain paragraphs that require your special attention. Such paragraphs are marked with the symbols and signal words described below:



DANGER

Indicates an imminent risk of severe or fatal injury.



WARNING

Indicates a hazardous situation which, if not avoided, could result in severe or fatal injury.

NOTICE

Indicates a risk of property damage, including damage to the machine or its individual components.

Engineering Improvements

STIHL's philosophy is to continually improve all of its products. As a result, engineering changes and improvements are made from time to time. Therefore, some changes, modifications and improvements may not be covered in this manual. If the operating characteristics or the appearance of your machine differs from those described in this manual, please contact your STIHL dealer or the STIHL distributor for your area for assistance.

Safety Precautions and Working Techniques



Because a trimmer is a high-speed, fast-cutting power tool, special safety precautions must be observed to reduce the risk of personal injury.



It is important that you read, fully understand and observe the following safety precautions and warnings. Read the instruction manual and the safety precautions periodically. Careless or improper use may cause serious or fatal injury.



The terminology utilized in this manual when referring to the power tool reflects the type of cutting attachments that may be mounted on it. The term "trimmer" is used to designate an FS unit that is equipped with a nylon line head or a head with flexible plastic blades (i.e., the PolyCut head.) FS models with an "R" on the nameplate were originally configured (at the time of distribution) as a trimmer with a loop handle.



As more fully explained later in these Safety Precautions, to reduce the risk of personal injury, make sure your unit is equipped with the proper handle, harness and deflector for the type of

cutting attachment you are using. Use only cutting attachments that are specifically authorized by STIHL for use on your FS model. To reduce the risk of severe or fatal injury from blade contact and / or loss of control, never attempt to use a metal blade on this trimmer.

Have your STIHL dealer show you how to operate your power tool. Observe all applicable local safety regulations, standards and ordinances.



Do not lend or rent your power tool without the instruction manual. Be sure that anyone using it understands the information contained in this manual.



The use of this machine may be hazardous. If the rotating line or blade comes in contact with your body, it will cut you. When it comes in contact with solid foreign objects such as rocks or bits of metal, it may fling them directly or by ricochet in the direction of bystanders or the operator. Striking such objects could damage the cutting attachment. Thrown objects, including broken heads or polymer blades, may result in serious or fatal injury to the operator or bystanders.

Use your trimmer equipped with the appropriate cutting attachment only for cutting grass and similar material.



Do not use it for other purposes, since misuse may result in personal injury or property damage, including damage to the machine.



Minors should never be allowed to use this power tool. Bystanders, especially children, and animals should not be allowed in the area where it is in use.



To reduce the risk of injury to bystanders and damage to property, never let your power tool run unattended. When it is not in use (e.g. during a work break), shut it off and make sure that unauthorized persons do not use it.

Most of these safety precautions and warnings apply to the use of all STIHL trimmers. Different models may have different parts and controls. See the appropriate section of your instruction manual for a description of the controls and the function of the parts of your model.

Safe use of a trimmer involves

1. the operator
2. the power tool
3. the use of the power tool

THE OPERATOR

Physical Condition

You must be in good physical condition and mental health and not under the influence of any substance (drugs, alcohol, etc.) which might impair vision, dexterity or judgment. Do not operate this machine when you are fatigued.

! WARNING

Be alert – if you get tired, take a break. Tiredness may result in loss of control. Working with any power tool can be strenuous. If you have any condition that might be aggravated by strenuous work, check with your doctor before operating this machine.

! WARNING

Prolonged use of a power tool (or other machines) exposing the operator to vibrations may produce whitefinger disease (Raynaud's phenomenon) or carpal tunnel syndrome.

These conditions reduce the hand's ability to feel and regulate temperature, produce numbness and burning sensations and may cause nerve and circulation damage and tissue necrosis.

All factors which contribute to whitefinger disease are not known, but cold weather, smoking and diseases or physical conditions that affect blood vessels and blood transport, as well as high vibration levels and long periods of exposure to vibration are mentioned as factors in the development of whitefinger disease. In order to reduce the risk of whitefinger disease and carpal tunnel syndrome, please note the following:

Most STIHL power tools are available with an anti-vibration ("AV") system designed to reduce the transmission of vibrations created by the machine to the operator's hands. An AV system is recommended for those persons using power tools on a regular or sustained basis.

- Wear gloves and keep your hands warm.
- Keep the AV system well maintained. A power tool with loose components or with damaged or worn AV elements will tend to have higher vibration levels.
- Maintain a firm grip at all times, but do not squeeze the handles with constant, excessive pressure. Take frequent breaks.

All the above-mentioned precautions do not guarantee that you will not sustain whitefinger disease or carpal tunnel syndrome. Therefore, continual and regular users should closely monitor the condition of their hands and fingers. If any of the above symptoms appear, seek medical advice immediately.

! WARNING

The ignition system of the STIHL unit produces an electromagnetic field of a very low intensity. This field may interfere with some pacemakers. To reduce the risk of serious or fatal injury, persons with a pacemaker should consult their physician and the pacemaker manufacturer before operating this tool.

Proper Clothing

! WARNING

To reduce the risk of injury, the operator should wear proper protective apparel.

! WARNING

The deflector provided with your power tool will not protect the operator from all foreign objects (gravel, glass, wire, etc.) thrown back by the rotating cutting attachment. Thrown objects may also ricochet and strike the operator.

! WARNING



To reduce the risk of injury to your eyes never operate your power tool unless wearing goggles or properly fitted protective glasses with adequate top and side protection complying with ANSI Z 87.1 (or your applicable national standard.) To reduce the risk of injury to your face STIHL recommends that you also wear a face shield or face screen over your goggles or protective glasses.

Power tool noise may damage your hearing. Wear sound barriers (ear plugs or ear muffers) to protect your hearing. Continual and regular users should have their hearing checked regularly.

Be particularly alert and cautious when wearing hearing protection because your ability to hear warnings (shouts, alarms, etc.) is restricted.



Always wear heavy duty work gloves (e.g. made of leather or other wear resistant material) when handling the machine and metal blades. Heavy-duty, nonslip gloves improve your grip and help to protect your hands.



Clothing must be sturdy and snug-fitting, but allow complete freedom of movement. Wear long pants made of heavy material to help protect your legs. Do not wear shorts, sandals or go barefoot.



Avoid loose-fitting jackets, scarfs, neckties, jewelry, flared or cuffed pants, unconfined long hair or anything that could become caught on branches, brush or the moving parts of the unit. Secure hair so it is above shoulder level.



Good footing is very important. Wear sturdy boots with nonslip soles. Steel-toed safety boots are recommended.

THE POWER TOOL

For illustrations and definitions of the power tool parts see the chapter on "Main Parts."

WARNING

Never modify this power tool in any way. Only attachments supplied by STIHL and expressly approved by STIHL for use with the specific STIHL model are authorized. Although certain unauthorized attachments are useable with STIHL power tools, their use may, in fact, be extremely dangerous. For the cutting attachments authorized by STIHL for your unit, see the chapter "Approved Combinations of Cutting Attachment, Deflector, Handle and Harness" in the instruction manual or the STIHL "Cutting Attachments, Parts & Accessories" catalog.

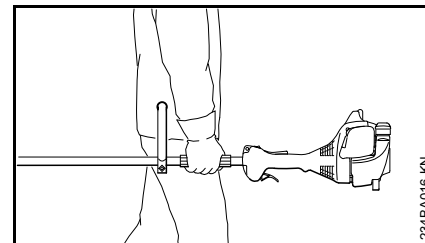
If this tool is subjected to unusually high loads for which it was not designed (e.g. heavy impact or a fall), always check that it is in good condition before continuing work. Check in particular that the fuel system is tight (no leaks) and that the controls and safety devices are working properly. Do not continue operating this machine if it is damaged. In case of doubt, have it checked by your STIHL servicing dealer.

THE USE OF THE POWER TOOL

Transporting the Power Tool

WARNING

To reduce the risk of injury from loss of control and line contact, never carry or transport your power tool with the cutting attachment moving.



It may be carried only in a horizontal position. Grip the shaft in a manner that the machine is balanced horizontally. Keep the hot muffler away from your body and the cutting attachment behind you.

WARNING

Always shut off the engine and make sure the cutting attachment has stopped before putting a trimmer down. When transporting it in a vehicle, properly secure it to prevent turnover, fuel spillage and damage to the unit.

Fuel

Your STIHL power tool uses an oil-gasoline mixture for fuel (see the chapter on "Fuel" of your instruction manual.)

! WARNING



Gasoline is an extremely flammable fuel. If spilled and ignited by a spark or other ignition source, it can cause fire and serious burn injury or property damage. Use extreme caution when handling gasoline or fuel mix. Do not smoke or bring any fire or flame near the fuel or the power tool. Note that combustible fuel vapor may escape from the fuel system.

Fueling Instructions

! WARNING

To reduce the risk of serious injury from burns, never attempt to refuel the unit until it has been completely removed from the operator.

! WARNING

Fuel your power tool in well-ventilated areas, outdoors. Always shut off the engine and allow it to cool before refueling. Gasoline vapor pressure may build up inside the fuel tank depending on the fuel used, the weather conditions and the tank venting system.

In order to reduce the risk of burns and other personal injury from escaping gas vapor and fumes, remove the fuel filler cap on your power tool carefully so as to allow any pressure build-up in the tank to release slowly. Never remove the fuel filler cap while the engine is running.

Select bare ground for fueling and move at least 10 feet (3 m) from the fueling spot before starting the engine. Wipe off any spilled fuel before starting your machine.

! WARNING



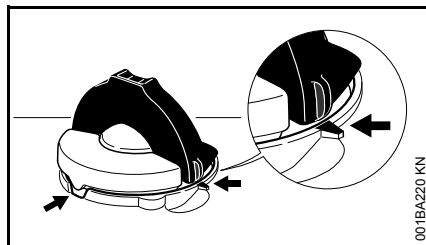
Check for fuel leakage while refueling and during operation. If fuel leakage is found, do not start or run the engine until the leak is fixed and any spilled fuel has been wiped away. Take care not to get fuel on your clothing. If this happens, change your clothing immediately.

! WARNING

In order to reduce the risk of fuel spillage and fire from an improperly tightened fuel cap, correctly position and tighten the fuel cap in the fuel tank opening.

Different models may be equipped with different fuel caps.

Toolless cap with grip



To do this with this STIHL cap, raise the grip on the top of the cap until it is upright at a 90° angle. Insert the cap in the fuel

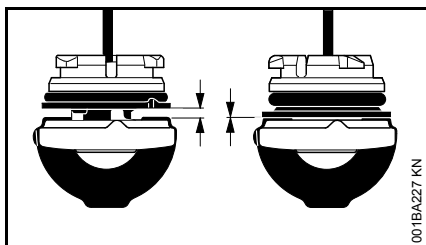
tank opening with the raised positioning marks on the grip of the cap and on the fuel tank opening lining up. Using the grip, press the cap down firmly while turning it clockwise as far as it will go (approx. 1/4 turn).



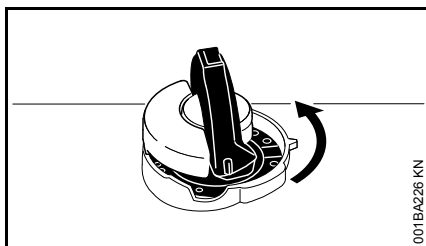
Fold the grip flush with the top of the cap. Grip the cap and check for tightness. If the grip does not lie completely flush with the cap and the detent on the grip does not fit in the corresponding recess in the filler opening, or if the cap is loose in the filler opening, the cap is not properly seated and tightened and you must repeat the above steps.

Misaligned, damaged or broken cap

- If the cap does not drop fully into the opening when the positioning marks line up and/or if the cap does not tighten properly when twisted, the base of the cap may be prematurely rotated (in relation to the top) to the closed position. Such misalignment can result from handling, cleaning or an improper attempt at tightening.



- Left: Base of cap in closed position (with open space)
- Right: Base of cap correctly positioned for installation



- To return the cap to the open position for installation, turn the cap (with the grip up) until it drops fully into the tank opening. Next, twist the cap counterclockwise as far as it will go (approx. 1/4 turn) – this will twist the base of the cap into the correct position. Then, twist the cap clockwise, closing it normally.
- If your cap still does not tighten properly, it may be damaged or broken; immediately stop use of the unit and take it to your authorized STIHL dealer for repair.

Screw Cap

WARNING



Unit vibrations can cause an improperly tightened fuel filler cap to loosen or come off and spill quantities of fuel. In order to reduce the risk of fuel spillage and fire, tighten the fuel filler cap by hand as securely as possible.

See also the "Fueling" chapter in your Instruction Manual for additional information.

Before Starting

WARNING

Always check your power tool for proper condition and operation before starting, particularly the throttle trigger, throttle trigger lockout, stop switch, cutting attachment, deflector and harness. The throttle trigger must move freely and always spring back to the idle position. Never attempt to modify the controls or safety devices. Never use a power tool that is damaged or not properly maintained.

WARNING

Check fuel system for leaks, especially the visible parts, e.g., filler cap, hose connections, manual fuel pump (only for power tools equipped with a manual fuel pump). Do not start the engine if there are leaks or damage – risk of fire! Have the machine repaired by a servicing dealer before using it.

WARNING

Do not attach any cutting attachment to a unit without proper installation of all required parts. Failure to use the proper parts may cause the blade or head to fly off and seriously injure the operator or bystanders.

WARNING

The cutting attachment must be properly tightened and in safe operating condition. Inspect for loose parts (nuts, screws, etc.) Replace damaged heads before using the power tool.

Keep the handles clean and dry at all times; it is particularly important to keep them free of moisture, pitch, oil, fuel mix, grease or resin in order for you to maintain a firm grip and properly control your power tool.

WARNING

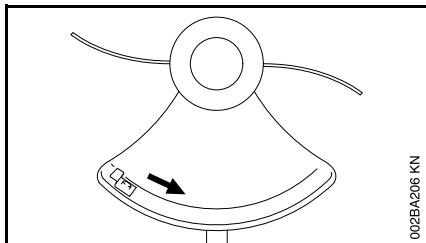
Check that the spark plug boot is securely mounted on the spark plug – a loose boot may cause arcing that could ignite combustible fumes and cause a fire.

! WARNING



To reduce the risk of personal injury to the operator from blade or line contact and thrown objects, make sure your unit is equipped with the proper deflector, handle and harness for the type of cutting attachment being used (see chart in the chapter on "Approved Combinations of Cutting Attachment, Deflector, Handle and Harness".)

Keep the deflector (and the attached skirt where appropriate) adjusted properly at all times (see chapters on "Mounting the Deflector" and "Mounting the Cutting Attachment" of your instruction manual.)



Arrows on the deflector (as seen from the underside) show the correct direction of rotation of the cutting

attachment. When viewed from above, however, the cutting attachment rotates counterclockwise.

Adjust the hand grip and harness (if you are wearing one) to suit your size before starting work. The machine should be properly balanced as specified in your instruction manual for proper control and less fatigue in operation. To be better prepared in case of an emergency, practise releasing the unit from the harness as quickly as possible.

Starting

Start the engine at least 10 feet (3 m) from the fueling spot, outdoors only.

For specific starting instructions, see the appropriate section of your manual. Place the power tool on firm ground or other solid surface in an open area. Maintain good balance and secure footing.

! WARNING

To reduce the risk of injury from blade or line contact, be absolutely sure that the cutting attachment is clear of you and all other obstructions and objects, including the ground, because when the engine starts at starting-throttle, engine speed will be fast enough for the clutch to engage and move the cutting attachment.

Once the engine has started, immediately blip the throttle trigger, which should release the starting throttle and allow the engine to slow down to idle.

With the engine running only at idle, attach the power tool to the spring hook of your harness if you are using one (see appropriate chapter of the instruction manual.)

! WARNING

Your power tool is a one-person machine. Do not allow other persons in the general work area, even when starting.

! WARNING

To reduce the risk of injury from loss of control, do not attempt to "drop start" your power tool.

! WARNING

When you pull the starter grip, do not wrap the starter rope around your hand. Do not let the grip snap back, but guide the starter rope to rewind it properly. Failure to follow this procedure may result in injury to your hand or fingers and may damage the starter mechanism.

Important Adjustments

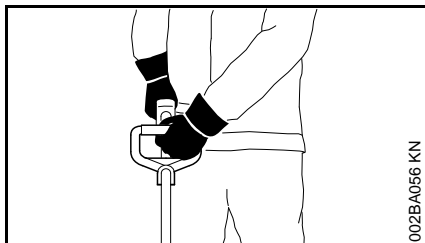
! WARNING

To reduce the risk of personal injury from loss of control or contact with the running cutting attachment, do not use your unit with incorrect idle adjustment. At correct idle speed, the cutting attachment should not move. For directions on how to adjust idle speed, see the appropriate section of your instruction manual.

If you cannot set the correct idle speed, have your STIHL dealer check your power tool and make proper adjustments and repairs.

During Operation

Holding and Controlling the Power Tool



Always hold the unit firmly with both hands on the handles while you are working. Wrap your fingers and thumbs around the handles, keeping the handles cradled between your thumb and forefinger. Keep your hands in this position to have your power tool under control at all times. Make sure your trimmer handles and grips are in good condition and free of moisture, pitch, oil, fuel mix or grease.

! WARNING

To reduce the risk of injury from loss of control, never work on a ladder or on any other insecure support. Never hold the cutting attachment above waist height.

! WARNING



Never attempt to operate your power tool with one hand. Loss of control of the power tool resulting in serious or fatal injury may result. To reduce the risk of cut injuries, keep hands and feet away from the cutting attachment. Never touch a moving cutting attachment with your hand or any other part of your body.

! WARNING

Do not overreach. Keep proper footing and balance at all times. Special care must be taken in slippery conditions (wet ground, snow) and in difficult, overgrown terrain. Watch for hidden obstacles such as tree stumps, roots and ditches to avoid stumbling. For better footing, clear away scrub and cuttings. Be extremely cautious when working on slopes or uneven ground.

Working Conditions

Operate and start your power tool only outdoors in a well ventilated area. Operate it under good visibility and daylight conditions only. Work carefully.

! WARNING



As soon as the engine is running, this product generates toxic exhaust fumes containing chemicals, such as unburned hydrocarbons (including benzene) and carbon monoxide, that are known to cause respiratory problems, cancer, birth defects, or other reproductive harm. Some of the gases (e.g. carbon monoxide) may be colorless and odorless. To reduce the risk of serious or fatal injury / illness from inhaling toxic fumes, never run the machine indoors or in poorly ventilated locations.

! WARNING

If the vegetation being cut or the surrounding ground is coated with a chemical substance (such as an active pesticide or herbicide), read and follow the instructions and warnings that accompanied the substance at issue.

! WARNING

Inhalation of certain dusts, especially organic dusts such as mold or pollen, can cause susceptible persons to have an allergic or asthmatic reaction. Substantial or repeated inhalation of dust and other airborne contaminants, in particular those with a smaller particle size, may cause respiratory or other illnesses. Control dust at the source

where possible. Use good work practices, such as operating the unit so that the wind or operating process directs any dust raised by the power tool away from the operator. Follow the recommendations of EPA / OSHA / NIOSH and occupational and trade associations with respect to dust ("particulate matter".) When the inhalation of dust cannot be substantially controlled, i.e., kept at or near the ambient (background) level, the operator and any bystanders should wear a respirator approved by NIOSH / MSHA for the type of dust encountered.

Operating Instructions

WARNING

Do not operate your power tool using the starting throttle lock, as you do not have control of the engine speed.

In the event of an emergency, shut off the engine immediately – move the slide control / stop switch to **0** or **STOP**.

WARNING

The rotating cutting attachment may fling foreign objects directly or by ricochet a great distance.



To reduce the risk of eye and other injury always wear proper eye protection (see the chapter on "Proper Clothing") and ensure that bystanders are at least

50 feet (15 m) away. To reduce the risk of damage to property, also maintain this distance from such objects as vehicles or windows. Even maintaining a minimum distance of 15 meters cannot exclude the potential danger. Any coworkers who must be in the restricted area should also wear goggles or protective glasses. Stop the engine immediately if you are approached.



Never use metal blades on this trimmer. Only mowing heads are authorized.

WARNING



Inspect the work area: To reduce the risk of injury, remove stones, pieces of metal and other solid objects which could be thrown 15 meters or more by the cutting attachment or damage the cutting attachment and property (e.g. parked vehicles, windows).



WARNING

This trimmer is normally to be used at ground level with the cutting attachment parallel to the ground. Use of a trimmer above ground level or with the cutting attachment perpendicular to the ground may increase the risk of injury, since the cutting attachment is more fully exposed and the power tool may be more difficult to control.

WARNING

During cutting, check the tightness and the condition of the cutting attachment at regular short intervals with the engine and attachment stopped. If the behavior of the attachment changes during use, stop the engine immediately, wait until the cutting attachment stops, and check the nut securing the attachment for tightness and the head for cracks, wear and damage.

WARNING

A loose head may vibrate, crack, break or come off the trimmer, which may result in serious or fatal injury. Make sure that the cutting attachment is properly tightened. Use the wrench supplied or one of sufficient length to obtain the proper torque. If the head loosens after being properly tightened, stop work immediately. The retaining nut may be worn or damaged and should be replaced. If the head continues to loosen, see your STIHL dealer. Never use a trimmer with a loose cutting attachment.

WARNING

Replace a cracked, damaged or worn-out head or a cracked, bent, warped, damaged, dull or worn out blade immediately, even if damage is limited to superficial cracks. Such attachments may shatter at high speed and cause serious or fatal injury.

! WARNING

If the head, blade or deflector becomes clogged or stuck, always shut off the engine and make sure the cutting attachment has stopped before cleaning. Grass, weeds, etc. should be cleaned off the blade or from around the head at regular intervals.

! WARNING

To reduce the risk of unintentional rotation of the cutting attachment and injury, always shut off the engine and remove the spark plug boot before replacing the cutting attachment. To reduce the risk of injury, always shut off the engine before adjusting the length of the nylon line on manually adjustable mowing heads.

! WARNING

The gearbox becomes hot during operation. To reduce the risk of burn injury, do not touch the gear housing when it is hot.

! WARNING

Never modify your muffler. Any modification could cause an increase in heat radiation, sparks or sound level, thereby increasing the risk of fire, burn injury or hearing loss. You may also permanently damage the engine. Have your muffler serviced and repaired by your STIHL servicing dealer only.

! WARNING

The muffler and other parts of the engine (e.g. fins of the cylinder, spark plug) become hot during operation and remain hot for a while after stopping the engine. To reduce risk of burns, do not touch the muffler and other parts while they are hot. Keep the area around the muffler clean. Remove excess lubricant and all debris such as pine needles, branches or leaves. Let the engine cool down sitting on concrete, metal, bare ground or solid wood (away from any combustible substances).

! WARNING

An improperly mounted or damaged cylinder housing or a damaged/deformed muffler shell may interfere with the cooling process of the muffler. To reduce the risk of fire or burn injury, do not continue work with a damaged or improperly mounted cylinder housing or a damaged/deformed muffler shell.

Your muffler is furnished with a spark arresting screen designed to reduce the risk of fire from the emission of hot particles. Never operate your unit with a missing or damaged spark arresting screen. If your gas/oil mix ratio is correct (i.e., not too rich), this screen will normally stay clean as a result of the heat from the muffler and need no service or maintenance. If you experience loss of performance and you suspect a clogged screen, have your muffler maintained by a STIHL servicing dealer. Some state or federal laws or regulations may require a properly maintained spark arrestor for certain

uses. See the "Maintenance, Repair and Storing" section of these Safety Precautions. Remember that the risk of a brush or forest fire is greater in hot or dry conditions.

! WARNING

Some STIHL power tools are equipped with a catalytic converter, which is designed to reduce the exhaust emissions of the engine by a chemical process in the muffler. Due to this process, the muffler does not cool down as rapidly as conventional mufflers when the engine returns to idle or is shut off. To reduce the risk of fire and burn injuries when using a catalytic converter, always set your power tool down in the upright position and never locate it where the muffler is near dry brush, grass, wood chips or other combustible materials while it is still hot.

Using the Cutting Attachments

For an illustration of the various cutting attachments and instructions on proper mounting see the chapter on "Mounting the Cutting Attachment" in your instruction manual.

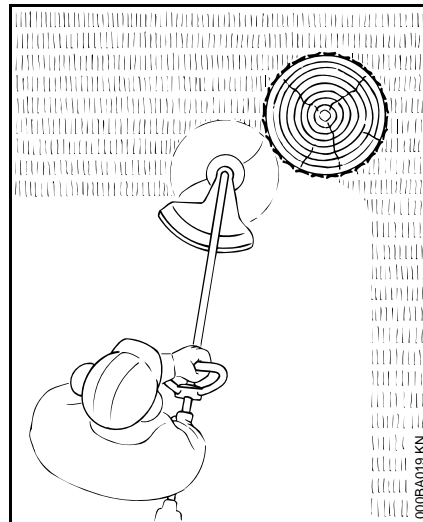
! WARNING

To reduce the risk of severe or fatal injury from blade contact and / or loss of control, never attempt to use a metal blade on this trimmer.

Using the Mowing Heads

Do not use with mowing line longer than the intended length. With a properly mounted deflector, the built-in line-limiting blade will automatically adjust the line to its proper length.

Using the unit with an overly long nylon cutting line increases the load on the engine and reduces its operating speed. This causes the clutch to slip continuously and results in overheating and damage to important components (e.g. clutch, polymer housing components.) Such damage could, among other things, cause the cutting attachment to rotate at idle.



Mowing heads are to be used only on trimmers equipped with a line-limiting blade in the deflector in order to keep the line at the proper length (see "Main Parts" chapter in your instruction manual.)

If the lawn edges are planted with trees or bordered by a fence etc., it is best to use a nylon line head. It achieves a "softer" cut with less risk of damaging tree bark etc. than polymer blades.

However, the polymer-bladed STIHL PolyCut produces a better cut if there are no plants along the edge of the lawn. Sharpening is not necessary, and worn polymer blades are easily replaced.

! WARNING

To reduce the risk of serious injury, never use wire or metal-reinforced line or other material in place of the nylon

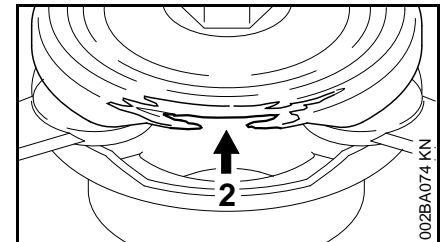
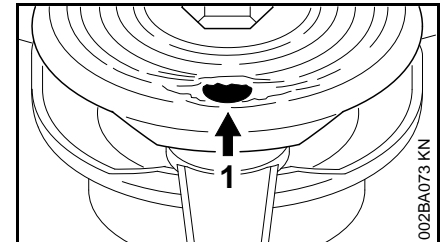
cutting lines. Pieces of wire could break off and be thrown at high speed toward the operator or bystanders.

STIHL AutoCut mowing head

Nylon cutting cord advances automatically when tapped against the ground (TapAction)

STIHL PolyCut mowing head 6-3

Uses nonrigid, pivoting polymer blades.



Do not continue using the PolyCut if one of the circular holes (1; arrow) becomes visible or if the projecting rim (2; arrow) has worn away. Install a new mowing head.

! WARNING

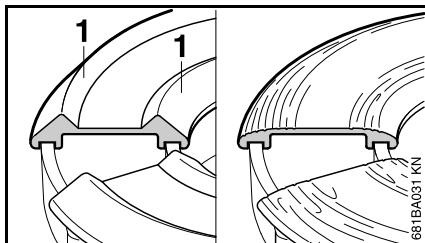
If the wear limit marks are ignored, there is a risk of the cutting attachment shattering and flying parts injuring the operator or bystanders. To reduce the risk of accidents from shattered blades, avoid contact with stones, metal and

similar solid objects. Check PolyCut blades for cracks at regular intervals. If a crack is found on one blade, always replace all blades.

STIHL FixCut mowing head

Uses pre-cut lengths of nylon line.

Observe wear indicators.



Do not continue using the mowing head if the raised moldings (1) on the base are missing or worn – see right illustration above. The mowing head may otherwise shatter and flying objects could result in injury to the operator or bystanders. Install a new mowing head.

MAINTENANCE, REPAIR AND STORING

Maintenance, replacement, or repair of the emission control devices and systems may be performed by any nonroad engine repair establishment or individual. However, if you make a warranty claim for a component which has not been serviced or maintained properly or if nonapproved replacement parts were used, STIHL may deny coverage.

! WARNING

Use only identical STIHL replacement parts for maintenance and repair. Use of non-STIHL parts may cause serious or fatal injury.

Strictly follow the maintenance and repair instructions in the appropriate sections of your instruction manual.

! WARNING

Always stop the engine and make sure that the cutting attachment is stopped before doing any maintenance or repair work or cleaning the power tool. Do not attempt any maintenance or repair work not described in your instruction manual. Have such work performed by your STIHL servicing dealer only.

! WARNING

Use the specified spark plug, and make sure it and the ignition lead are always clean and in good condition. Always press the spark plug boot snugly onto the spark plug terminal of the proper size. (Note: If the terminal has a detachable SAE adapter nut, it must be securely attached.) A loose connection between the spark plug and the ignition wire connector in the boot may create arcing that could ignite combustible fumes and cause a fire.

! WARNING

Never test the ignition system with the spark plug boot removed from the spark plug or with a removed spark plug, since uncontained sparking may cause a fire.

! WARNING

Do not operate your power tool if the muffler is damaged, missing or modified. An improperly maintained muffler will increase the risk of fire and hearing loss. Your muffler is equipped with a spark-arresting screen to reduce the risk of fire; never operate your power tool if the screen is missing, damaged or clogged. Remember that the risk of a brush or forest fire is greater in hot or dry weather.

In California, it is a violation of § 4442 or § 4443 of the Public Resources Code to use or operate gasoline-powered tools on forest-covered, brush-covered or grass-covered land unless the engine's exhaust system is equipped with a complying spark arrester that is maintained in effective working order. The owner/operator of this product is responsible for properly maintaining the spark arrester. Other states or governmental entities/agencies, such as the U.S. Forest Service, may have similar requirements. Contact your local fire agency or forest service for the laws or regulations relating to fire protection requirements.

! WARNING

Never repair damaged or broken heads. This may cause parts of the cutting attachment to come off and result in serious or fatal injuries.

Tighten all nuts, bolts and screws, except the carburetor adjustment screws, after each use.

English

Do not clean your machine with a pressure washer. The solid jet of water may damage parts of the machine.

Store the power tool in a dry and high or locked location out of reach of children.

Before storing for longer than a few days, always empty the fuel tank. See chapter "Storing the Machine" in the instruction manual.

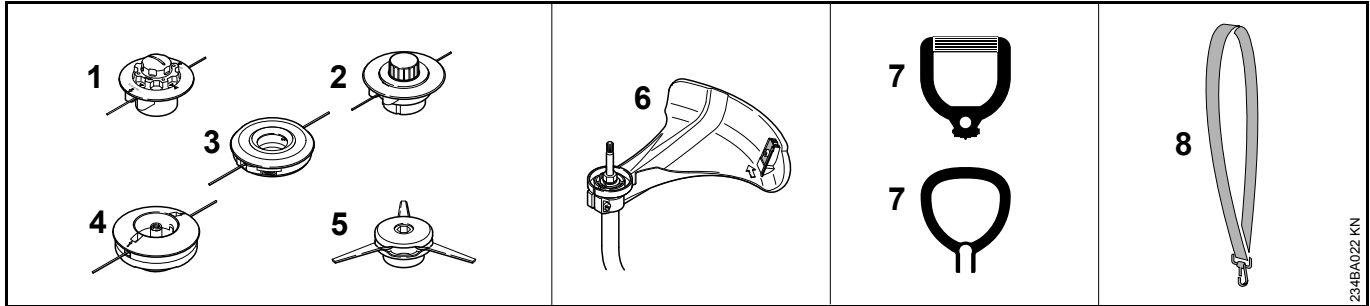
Approved Combinations of Cutting Attachment, Deflector, Handle and Harness

Cutting Attachment

Deflector

Handle

Harness/Shoulder Strap



Approved Combinations

The complete combination includes:

- Cutting attachment
- Deflector
- Handle
- Harness/shoulder strap (special accessory)

Select correct combination from the table according to the cutting attachment you intend to use.

! WARNING

For safety reasons no other combinations are permitted – **risk of accidents.**

Cutting Attachments

Mowing heads

- 1 STIHL AutoCut C 5-2

- 2 STIHL AutoCut 5-2
 3 STIHL FixCut 5-2
 4 STIHL DuroCut 5-2
 5 STIHL PolyCut 6-3

Deflector

- 6 Deflector with blade for mowing heads

Handle

- 7 Loop handle

Harness

- 8 Shoulder strap may be used

! WARNING

Based on the cutting attachment being used:

Choose the proper deflector in order to reduce the risk of injury from thrown objects and contact with the cutting attachment.

Make sure your unit is equipped with the proper handle and harness in order to reduce the risk of injury from loss of control and contact with the cutting attachment.

Do not use rigid polymer blades, metal cutting attachments or circular saw blades on this unit.

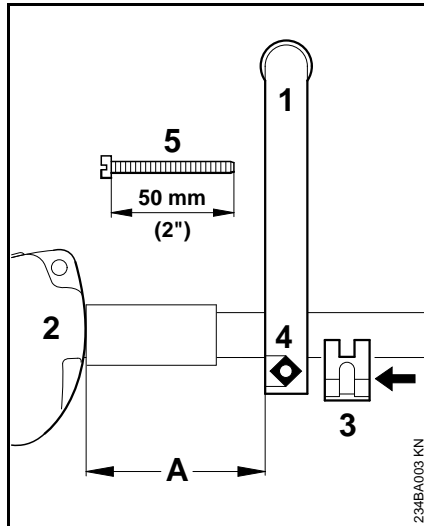
Only mowing heads may be used on loop-handled trimmers with a curved drive tube.

Mounting the Loop Handle

The loop handle comes in two different versions.

Version A

Mounting the loop handle



- Fit the loop handle (1) on the drive tube about 15 cm (6") (A) forward of the control handle (2).
- Place the clamp (3) against the drive tube and push it into the loop handle.
- Place the square nut (4) in the loop handle,
- insert the screw (5) from the other side and tighten it down firmly.

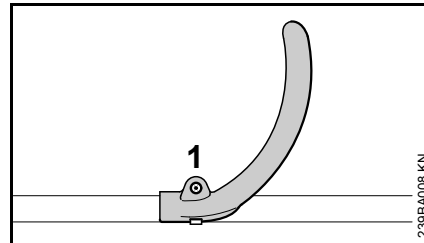
Adjusting loop handle to most comfortable position

- Loosen the screw (5).
- Move the loop handle along the drive tube as required.
- Tighten down the screw (5) firmly.

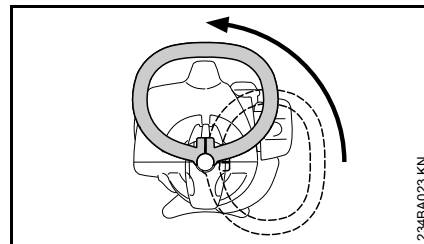
Version B

Your new power tool comes with the loop handle mounted on the drive tube, but it must be turned and lined up to suit your requirements.

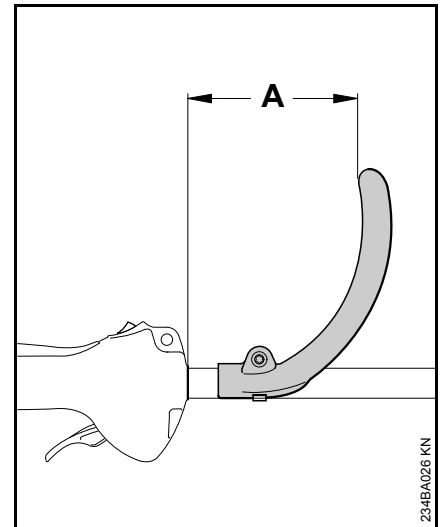
Line up the loop handle.



- Use the combination wrench to loosen the screw (1).



- Turn the handle to the vertical position.

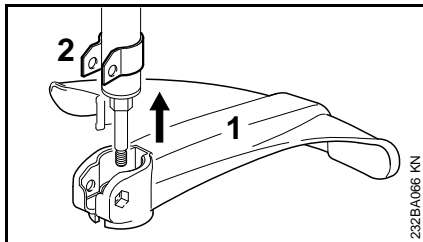


The loop handle can be adjusted to suit the height and reach of the operator and the application by changing distance (A).

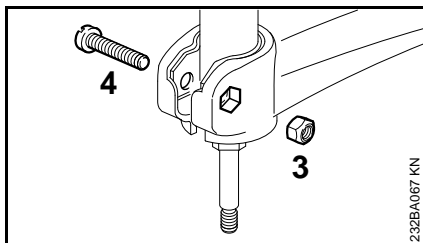
Recommendation: distance (A): about 15 cm (6 in)

- Slide the handle to the required position.
- Tighten down the screw with the combination wrench so that the handle cannot be rotated on the drive tube.

Mounting the Deflector



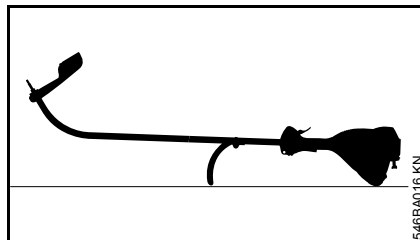
- Push the deflector (1) over the clamp (2) as far as stop.



- Insert the nut (3) in the hex recess in the deflector – make sure the holes line up.
- Insert the screw (4) and tighten it down firmly.

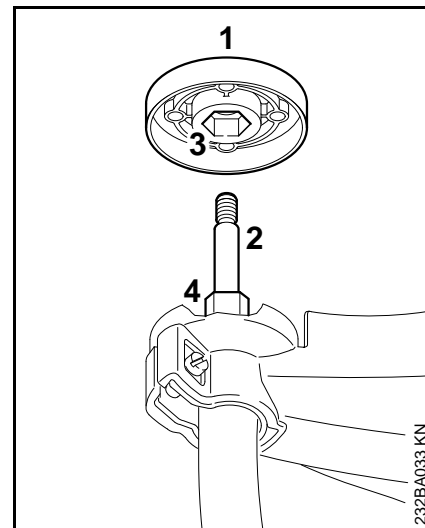
Mounting the Cutting Attachment

Placing power tool on the ground



- Switch off the engine.
- Lay your trimmer on its back with the loop handle and shroud pointing down and the output shaft facing up.

Thrust plate



The thrust plate is shipped with the PolyCut 6-3 and FixCut 5-2. It is only required for these mowing heads.

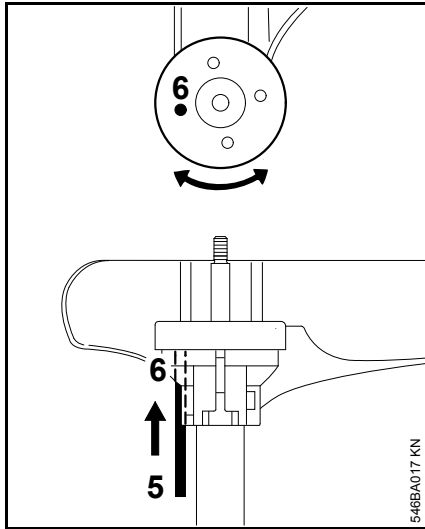
STIHL AutoCut 5-2 mowing head, STIHL AutoCut C 5-2 mowing head

- Pull the thrust plate (1), if fitted, off the shaft (2).

STIHL PolyCut 6-3 mowing head, STIHL FixCut 5-2 mowing head

- Slip the thrust plate (1) over the shaft (2) and engage the hex recess (3) on the external hexagon (4).

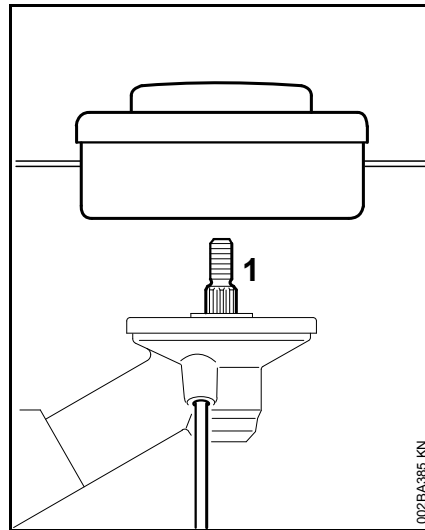
Block the shaft.



- To block the shaft, insert a suitable tool (5) through the holes (6) in the deflector and thrust plate – turn the thrust plate back and forth if necessary.

Fitting Mowing Head with Screw Mounting

Keep the instruction leaflet for the mowing head in a safe place.



- Screw the mowing head counterclockwise on to the shaft (1) as far as stop.
- Block the shaft.
- Tighten down the mowing head firmly.

NOTICE

Remove the tool used to block the shaft.

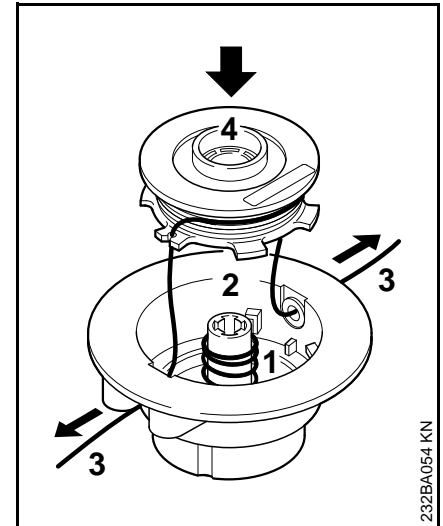
Removing the Mowing Head

- Block the shaft.
- Unscrew the mowing head clockwise.

Fitting Mowing Head without Screw Mounting

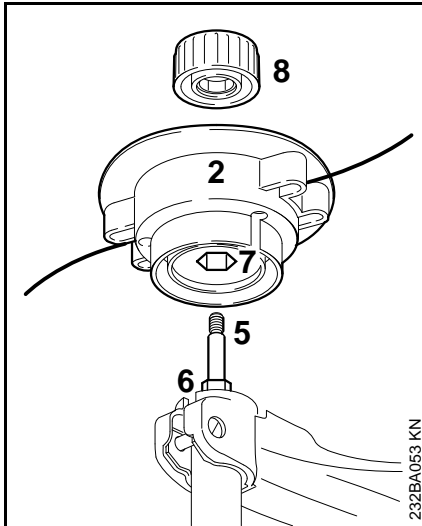
Keep the instruction leaflet for the mowing head in a safe place.

STIHL AutoCut 5-2



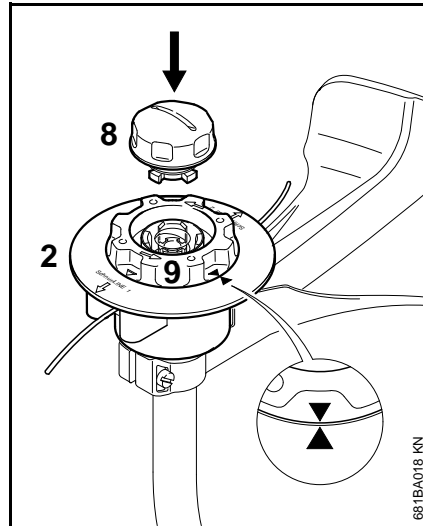
- Fit the spring (1) in the mowing head (2).
- Wind the mowing line (3) on to the spool (4).
- Thread the nylon line through the sleeves and fit the spool in the head.

The individual steps are described in the instruction sheet supplied.



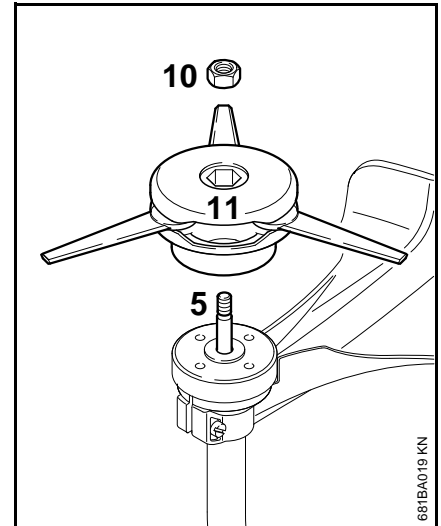
- Slip the mowing head (2) over the shaft (5) and engage hex recess (7) on the external hexagon (6).
- Fit the cap (8) on the mowing head – screw it clockwise on to the shaft as far as stop and tighten it down firmly.

STIHL AutoCut C 5-2



- Slip the mowing head (2) on to the shaft – as AutoCut 5-2.
- Turn the spool (9) clockwise until the two arrow heads line up – secure the spool in this position.
- Insert the cap (8) in the spool, press it down as far as stop and turn it clockwise at the same time.
- Turn the cap until you feel resistance and then tighten it down firmly by hand.

STIHL PolyCut 6-3



- Fit the thrust plate on the shaft.
- Insert the nut (10) in the mowing head.
- Screw the mowing head (11) clockwise on to the shaft (5) as far as stop.
- Block the shaft.
- Tighten down the mowing head firmly.

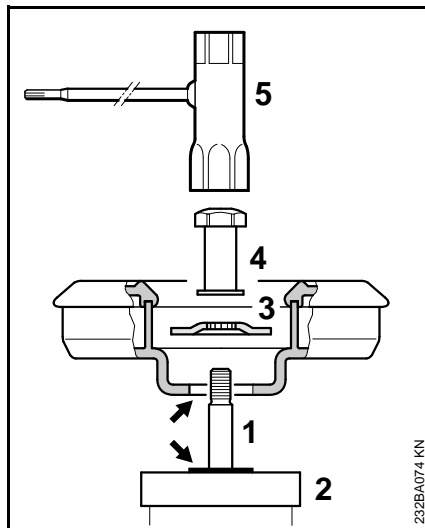
! WARNING

If the mounting nut has become too loose, fit a new one.

NOTICE

Remove the tool used to block the shaft.

STIHL FixCut 5-2



- Slip the thrust plate (2) over the shaft.
- Place the mowing head on the thrust plate (2).

! WARNING

Collar (see arrows) must engage the mowing head's mounting hole.

- Push the thrust washer (3) over the shaft (1) so it is seated on the base.
- Block the shaft.
- Use the combination wrench (5) (special accessory) to screw the mounting nut (4) on to the output shaft and tighten it down firmly.

! WARNING

If the mounting nut has become too loose, fit a new one.

NOTICE

Remove the tool used to block the shaft.

Remove the mowing head.

STIHL AutoCut

- Hold the mowing head steady.
- Unscrew the cap counterclockwise.

STIHL PolyCut

- Block the shaft.
- Unscrew the mowing head counterclockwise.

STIHL FixCut

- Block the shaft.
- Use the combination wrench (special accessory) to loosen and unscrew the mounting nut counterclockwise from the output shaft.

Fuel

This engine is certified to operate on unleaded gasoline and the STIHL two-stroke engine oil at a mix ratio of 50:1.

Your engine requires a mixture of high-quality gasoline and two-stroke air cooled engine oil.

Use mid-grade unleaded gasoline with a minimum octane rating of 89 ((R+M)/2) and no more than 10% ethanol content.

Fuel with a lower octane rating may increase engine temperatures. This, in turn, increases the risk of piston seizure and damage to the engine.

The chemical composition of the fuel is also important. Some fuel additives not only detrimentally affect elastomers (carburetor diaphragms, oil seals, fuel lines, etc.), but magnesium castings and catalytic converters as well. This could cause running problems or even damage the engine. For this reason STIHL recommends that you use only high-quality unleaded gasoline!

Gasoline with an ethanol content of more than 10% can cause running problems and major damage in engines and should not be used.

The ethanol content in gasoline affects engine running speed – it may be necessary to readjust the carburetor if you use fuels with various ethanol contents.

! WARNING

To reduce the risk of personal injury from loss of control and/or contact with the running cutting tool, do not use your

unit with incorrect idle adjustment. At correct idle speed, the cutting tool should not move.

If your power tool shows an incorrect idle adjustment, have your STIHL dealer check your power tool and make proper adjustments and repairs.

The idle speed and maximum speed of the engine change if you switch from a fuel with a certain ethanol content to another fuel with a much higher or lower ethanol content.

This problem can be avoided by always using fuel with the same ethanol content.

Use only STIHL two-stroke engine oil or equivalent high-quality two-stroke engine oils that are designed for use only in air cooled two-cycle engines.

We recommend STIHL HP Ultra 2-Cycle Engine Oil since it is specially formulated for use in STIHL engines.

Do not use BIA or TCW rated (two-stroke water cooled) mix oils or other mix oils that state they are for use in both water cooled and air cooled engines (e.g., outboard motors, snowmobiles, chain saws, mopeds, etc.).

WARNING

Take care when handling gasoline. Avoid direct contact with the skin and avoid inhaling fuel vapor. When filling at the pump, first remove the container from your vehicle and place the container on the ground before filling. To reduce the risk of sparks from static discharge and resulting fire and/or explosion, do not fill fuel containers that are sitting in or on a vehicle or trailer.

The container should be kept tightly closed in order to limit the amount of moisture that gets into the mixture.

The machine's fuel tank should be cleaned as necessary.

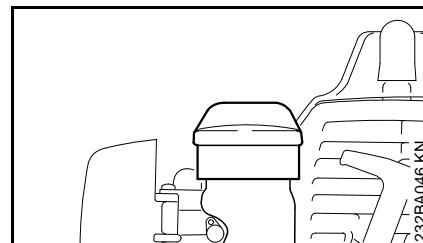
Fuel mix ages

Only mix sufficient fuel for a few days work, not to exceed 30 days of storage. Store in approved fuel-containers only. When mixing, pour oil into the container first, and then add gasoline. Close the container and shake it vigorously by hand to ensure proper mixing of the oil with the fuel.

Gasoline	Oil (STIHL 50:1 or equivalent high-quality oils)
US gal.	US fl.oz.
1	2.6
2 1/2	6.4
5	12.8

Dispose of empty mixing-oil containers only at authorized disposal locations.

Fueling



Before fueling, clean the filler cap and the area around it to ensure that no dirt falls into the tank.

Always thoroughly shake the mixture in the canister before fueling your machine.

WARNING

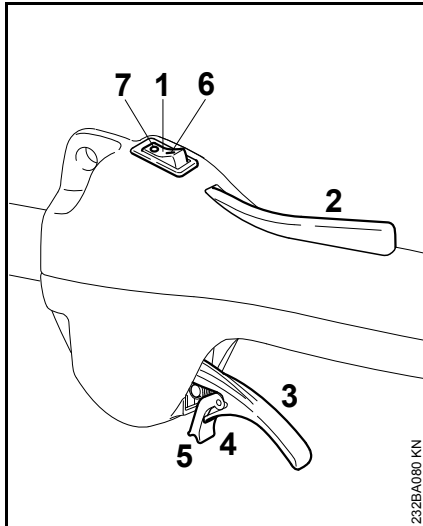
In order to reduce the risk of fire and personal injury from escaping gas vapor and fumes, remove the fuel filler cap carefully so as to allow any pressure build-up in the tank to release slowly.

WARNING

After fueling, tighten fuel cap **as securely as possible** by hand.

Starting / Stopping the Engine

Controls

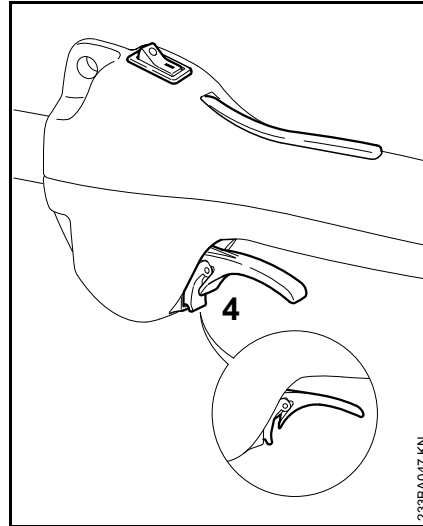


- 1 Stop switch
- 2 Throttle trigger lockout
- 3 Throttle trigger
- 4 Tongue of throttle trigger
- 5 Catch

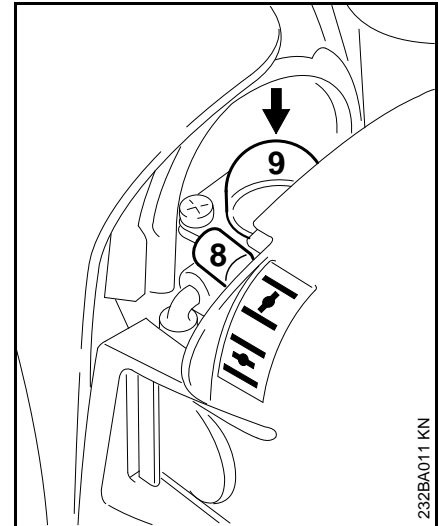
Positions of stop switch

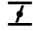
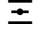
- 6 I – normal run position – the engine is running or can start
- 7 0 – Stop – engine off – the ignition is switched off

Starting

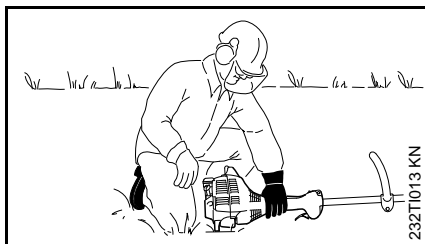
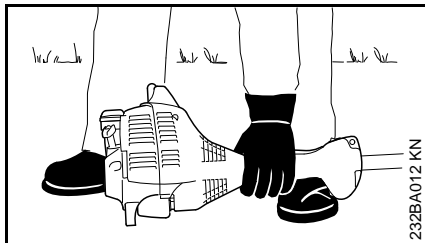


- Move the stop switch to I.
- Press down the throttle trigger lockout and hold it there.
- Squeeze the throttle trigger until the catch on the tongue (4) can be engaged on the housing (**arrow**).
- Now release the throttle trigger, tongue and trigger lockout in that order. This is the **starting throttle position**.



- Set the choke lever (8) to
 -  if the engine is cold
 -  for warm start – also use this position if the engine has been running but is still cold.
- Press the manual fuel pump bulb (9) at least five times – even if the bulb is filled with fuel.

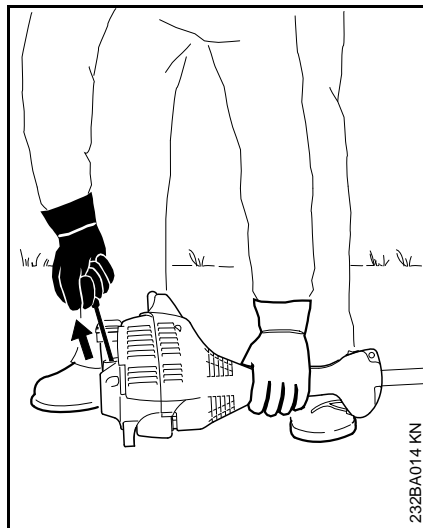
Cranking



- Put the unit on the ground: It must rest securely on the engine support and the deflector. Check that the cutting attachment is not touching the ground or any other obstacles.
- Make sure you have a safe and secure footing.
- Hold the unit with your left hand and press it down **firmly** – your thumb should be under the fan housing.

NOTICE

Do not stand or kneel on the drive tube.



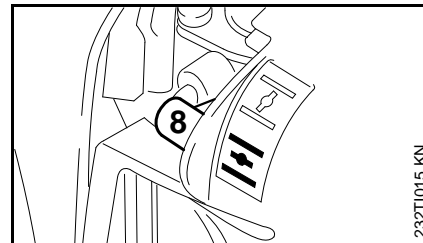
- Hold the starter grip with your right hand.
- Pull the starter grip slowly until you feel it engage and then give it a brisk strong pull.

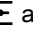
NOTICE

Do not pull out the starter rope all the way – **it might otherwise break.**

- Do not let the starter grip snap back. Guide it slowly back into the housing so that the starter rope can rewind properly.
- Continue cranking.

When engine begins to fire



- After no more than **five** pulls, move the choke lever (8) to  and
- continue cranking.

As soon as the engine runs

- Squeeze the throttle trigger to disengage the tongue – the engine will settle down to idle speed.

WARNING

Make sure the carburetor is correctly adjusted. The cutting attachment must not rotate when the engine is idling.

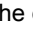
The machine is now ready for operation.


Stopping the Engine

- Move the stop switch to **0**.


If engine does not start

Choke lever

If you did not move the choke lever quickly enough to  after the engine began to fire, the engine is flooded.

- Set choke to  and
- move the stop switch to I, lockout lever and throttle trigger to the **starting throttle position**.
- Start the engine by pulling the starter rope briskly – 10 to 20 pulls may be necessary.

If the engine still does not start

- Move the stop switch to 0.
- Remove the spark plug – see "Spark Plug".
- Dry the spark plug.
- Crank the engine several times with the starter to clear the combustion chamber.
- Refit the spark plug – see "Spark Plug".
- Move the stop switch to I.
- Set choke to  – even if the engine is cold.
- Now start the engine.

Fuel tank run until completely dry

- After refueling, press the manual fuel pump bulb at least five times – even if the bulb is filled with fuel.
- Set the choke knob to suit the engine temperature.
- Start the engine.

Operating Instructions

During break-in period

A factory-new machine should not be run at high revs (full throttle off load) for the first three tank fillings. This avoids unnecessary high loads during the break-in period. As all moving parts have to bed in during the break-in period, the frictional resistances in the engine are greater during this period. The engine develops its maximum power after about 5 to 15 tank fillings.

During Operation

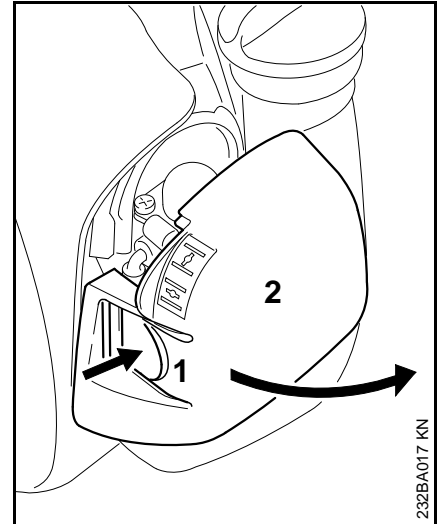
After a long period of full throttle operation, allow the engine to run for a short while at idle speed so that engine heat can be dissipated by the flow of cooling air. This protects engine-mounted components (ignition, carburetor) from thermal overload.


After Finishing Work

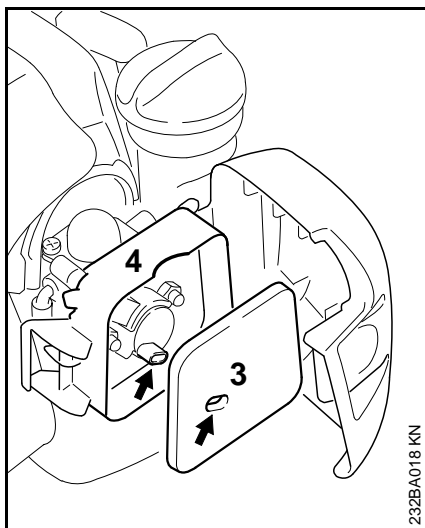
Storing for a short period: Wait for the engine to cool down. Empty the fuel tank and keep the machine in a dry place, well away from sources of ignition, until you need it again. For longer out-of-service periods – see "Storing the Machine".

Cleaning the Air Filter

If there is a noticeable loss of engine power



- Set the choke lever to .
- Press in the tab (1) and swing the filter cover (2) down.
- Clean away loose dirt from around the filter.



- Remove the felt element (3) from the filter housing (4) and replace it – knock out or blow out as a temporary measure – do not wash.
- Replace damaged parts.
- Fit the felt element (3) in the filter housing (4).
- Close the filter cover so that it snaps into position.

Engine Management

Exhaust emissions are controlled by the design of the fundamental engine parameters and components (e.g. carburation, ignition, timing and valve or port timing) without the addition of any major hardware.

Adjusting the Carburetor

General Information

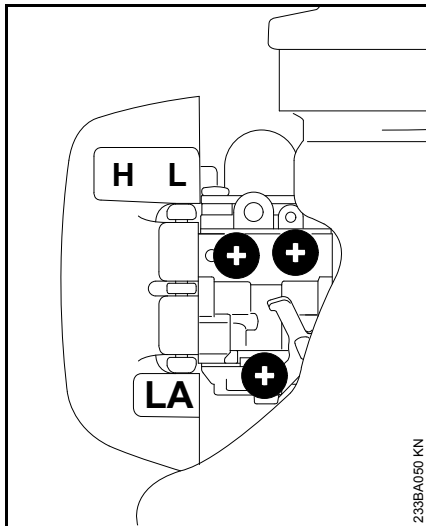
The carburetor comes from the factory with a standard setting.

This setting provides an optimum fuel-air mixture under most operating conditions.

Preparations

- Shut off the engine.
- Mounting the Cutting Attachment
- Check the air filter and clean or replace if necessary.
- Check the spark arresting screen (not in all models, country-specific) in the muffler and clean or replace if necessary.

Standard Setting – FS 38



- Turn high speed screw (H) counterclockwise as far as stop (no more than 3/4 turn).
- Turn the low speed screw (L) carefully clockwise as far as stop, then turn it back 3/4 turn.

Adjusting Idle Speed

- Carry out the standard setting.
- Start and warm up the engine.

Engine stops while idling

- Turn the idle speed screw (LA) slowly clockwise until the engine runs smoothly – the cutting attachment must not rotate.

Cutting attachment rotates when engine is idling

- Turn the idle speed screw (LA) counterclockwise until the cutting attachment stops moving and then turn the screw another 1/2 to 1 full turn in the same direction.

! WARNING

If the cutting attachment continues to rotate when the engine is idling, have your machine checked and repaired by your servicing dealer.

Erratic idling behavior, poor acceleration (despite correction to setting of LA screw).

Idle setting is too lean

- Turn the low speed screw (L) carefully counterclockwise, no further than stop, until the engine runs and accelerates smoothly.

Erratic idling behavior

Idle setting is too rich

- Turn the low speed screw (L) slowly clockwise, no further than stop, until the engine runs and accelerates smoothly.

It is usually necessary to change the setting of the idle speed screw (LA) after every correction to the low speed screw (L).

Fine Tuning for Operation at High Altitude

A slight correction of the setting may be necessary if engine does not run satisfactorily:

- Carry out the standard setting.
- Warm up the engine.
- Turn high speed screw (H) slightly clockwise (leaner) – no further than stop.

NOTICE

After returning from high altitude, reset the carburetor to the standard setting.

If the setting is too lean there is a risk of engine damage due to insufficient lubrication and overheating.

Spark Plug

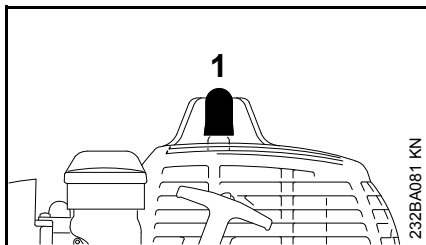
If engine is down on power, difficult to start or runs poorly at idling speed, first check the spark plug.

Fit a new spark plug after approx. 100 operating hours or earlier if the electrodes are badly eroded.

Wrong fuel mix (too much engine oil in the gasoline), a dirty air filter and unfavorable running conditions (mostly at part throttle etc.) affect the condition of the spark plug. These factors cause deposits to form on the insulator nose which may result in trouble in operation.

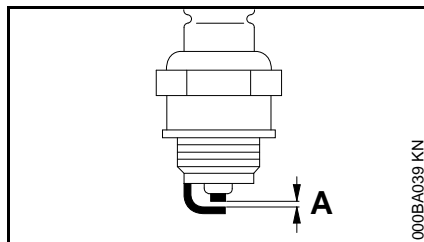
Removing the Spark Plug

- Move the stop switch to **0**.



- Pull off the spark plug boot (1).
- Unscrew the spark plug.

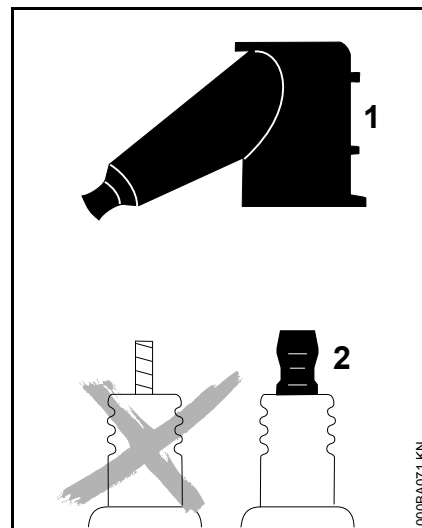
Checking the Spark Plug



- Clean dirty spark plug.
- Check electrode gap (A) and readjust if necessary – see "Specifications."
- Use only resistor type spark plugs of the approved range.

Rectify problems that have caused fouling of spark plug:

- too much oil in fuel mix,
- dirty air filter,
- unfavorable running conditions, e.g. operating at part load.



! WARNING

To reduce the risk of fire and burn injury, use only spark plugs authorized by STIHL. Always press spark plug boot (1) snugly onto spark plug terminal (2) of the proper size. (Note: If terminal has detachable SAE adapter nut, it must be securely attached.) A loose connection between spark plug boot and ignition wire connector in the boot may create arcing that could ignite combustible fumes and cause a fire.

Installing the spark plug

- Screw home the spark plug, fit the boot and press it down firmly.

Engine Running Behavior

If engine running behavior is unsatisfactory even though the air filter is clean and the carburetor is properly adjusted, the cause may be the muffler.

Have the muffler checked for contamination (carbonization) by your servicing dealer.

STIHL recommends that you have servicing and repair work carried out exclusively by an authorized STIHL servicing dealer.

Rewind Starter

To help prolong the wear life of the starter rope, observe the following points:

- Pull the starter rope only in the direction specified.
- Do not pull the rope over the edge of the guide bushing.
- Do not pull out the rope more than specified.
- Do not allow the starter grip to snap back, guide it back into the housing slowly – see chapter on "Starting / Stopping the Engine."

Have a damaged starter rope replaced by your dealer before it breaks completely. STIHL recommends that you have servicing and repair work carried out exclusively by an authorized STIHL servicing dealer.

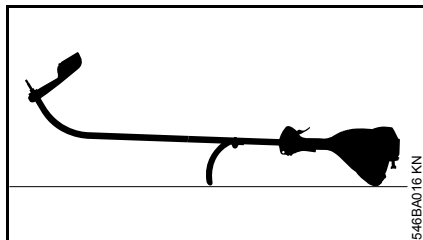
Storing the Machine

For periods of 3 months or longer

- Drain and clean the fuel tank in a well ventilated area.
- Dispose of fuel properly in accordance with local environmental requirements.
- Run the engine until the carburetor is dry – this helps prevent the carburetor diaphragms sticking together.
- Remove, clean and inspect the cutting attachment.
- Thoroughly clean the machine – pay special attention to the cylinder fins and air filter.
- Store the machine in a dry and secure location – out of the reach of children and other unauthorized persons.

Maintaining the Mowing Head

Placing power tool on the ground



- Switch off the engine.
- Lay your trimmer on its back with the loop handle and shroud pointing down and the output shaft facing up.

Replacing Nylon Line

Always check the mowing head for signs of wear before replacing the nylon line.

! WARNING

If there are signs of serious wear, replace the complete mowing head.

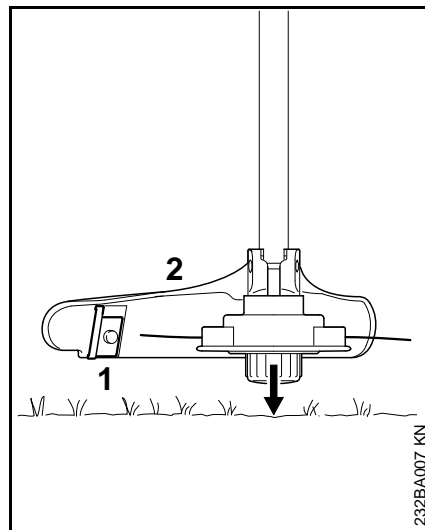
The nylon mowing line is referred to as "nylon line" or "line" in the following.

The mowing head is supplied with illustrated instructions for replacing the nylon line. Keep the instructions for the mowing head in a safe place.

- If necessary, remove the mowing head.

Adjusting Nylon Line

STIHL AutoCut



- Hold the rotating mowing head above the ground – tap it on the ground once – about 3 cm (1.2 in) of fresh line is advanced.
- The blade (1) on the deflector (2) trims surplus line to the correct length – avoid tapping the mowing head more than once at a time.

Line feed operates only if **both** lines still have a minimum length of **2.5 cm (1 in)**.

If the line is shorter than 2.5 cm (1 in):

! WARNING

To reduce the risk of injury, always shut off the engine before adjusting the mowing line by hand.

- Turn the machine over.
- Press down the cap on the spool as far as stop.
- Pull the ends of the lines out of the spool.

If the spool is empty, refill with fresh lengths of nylon line.

All other mowing heads

Refer to the instructions supplied with the mowing head.

! WARNING

To reduce the risk of injury, always shut off the engine before adjusting the mowing line by hand.

Replacing nylon line

STIHL DuroCut, STIHL FixCut

! WARNING

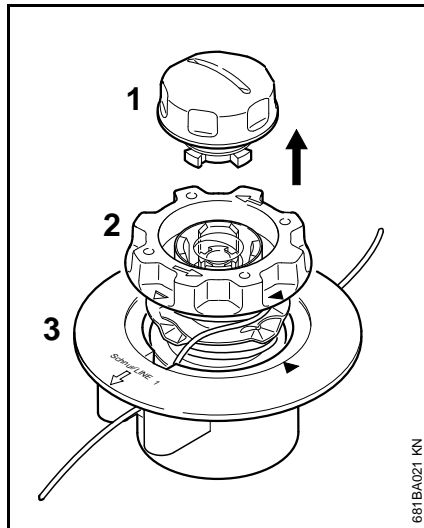
To reduce the risk of injury, always shut off the engine before fitting new nylon line.

- Fit nylon line in mowing head as described in the instructions supplied.

STIHL AutoCut C 5-2

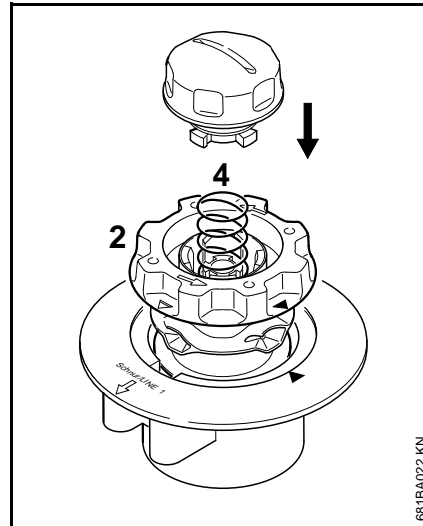
Disassembling the mowing head and removing remaining nylon line

In normal operation, the supply of nylon line in the head is used up almost completely.



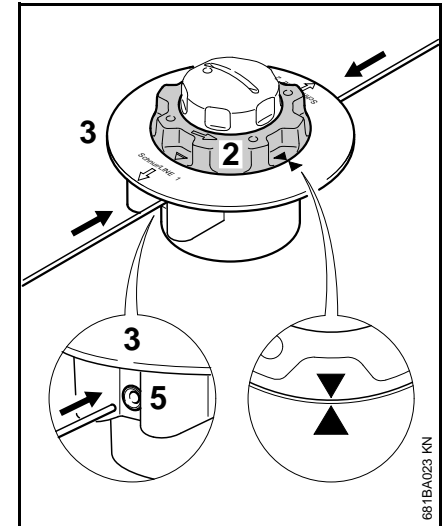
- Hold the mowing head steady and rotate the cap (1) counterclockwise until it can be removed.
- Pull the spool (2) out of the mowing head (3) and remove the remaining line.

Assembling the mowing head

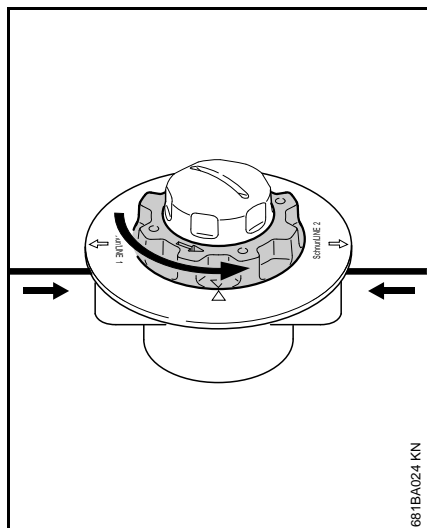


- Fit the **empty** spool in the mowing head.
- If the spring (4) has popped out:
- push it into the spool (2) until it engages in position with an audible click.
 - Mount the mowing head – see "Mounting the Mowing Head".

Winding line onto spool



- Use green-coded nylon line with a diameter of 2.0 mm (0.08 in).
- Cut two 2 m (6ft 6in) lengths of nylon line from the reel (special accessory).
- Rotate the spool (2) counterclockwise until the two arrow points are in alignment.
- Push the **straight end of each line** through one sleeve (5) in the mowing head (3) until you feel a noticeable resistance – and then continue pushing as far as stop.

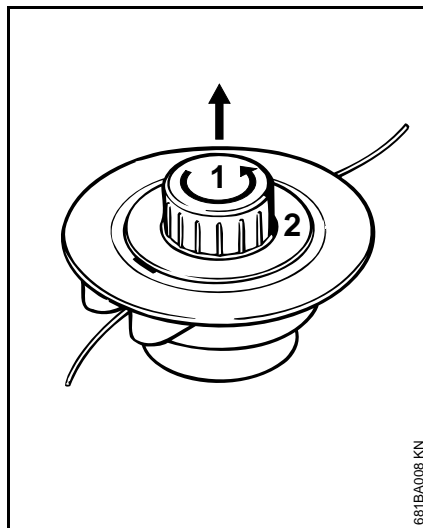


- Hold the mowing head steady.
- Rotate the spool counterclockwise until the shortest line is about 10 cm (4 in).
- If necessary, cut the longer line to a length of about 10 cm (4 in).

The mowing head is now full.

STIHL AutoCut 5-2

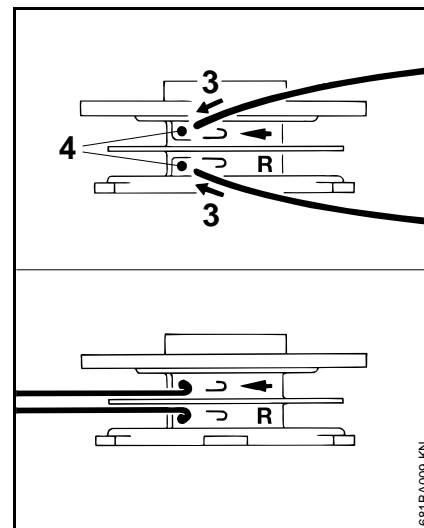
Removing remaining nylon line



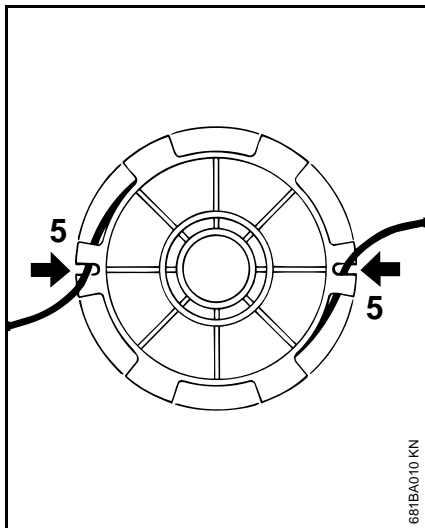
- Open the mowing head – hold it steady with one hand and turn the cap (1) counterclockwise.
- Disengage the spool (2), take it out of the mowing head and remove the remaining line.

Winding line onto spool

A prewound spool (special accessory) may be used as an alternative to the following procedure.



- Use green-coded nylon line with a diameter of 2.0 mm (0.08 in).
- Cut two 3 m (9ft 9in) lengths of nylon line from the reel (special accessory).
- Insert the ends of each line (3) in the holes (4) in the spool.
- Bend the ends of the lines over the edge of the holes to form a hook.

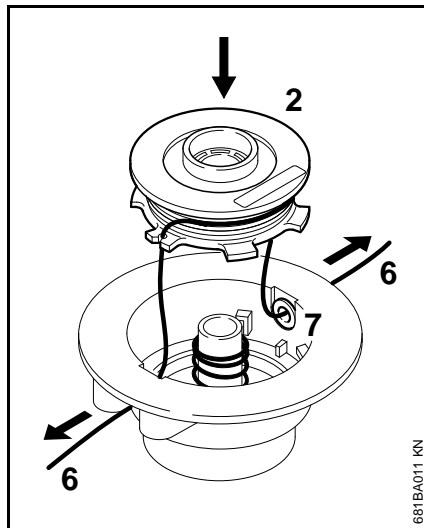


- Straighten out the nylon lines and wind them tightly on to the spool – one nylon line in each chamber.
- Engage the ends of the lines in the notches (2).

Assembling the mowing head

NOTICE

Check that the spring is installed (see "Mounting the Mowing Head").



- Thread the ends of the lines (6) through the sleeves (7) and push the spool (2) into the head so that it snaps into position.

The nylon lines must disengage from the notches (5) as the spool is pushed into position.

- Pull out the ends of the lines as far as stop.
- Mount the mowing head on the machine.

Replacing Cutting Blades

STIHL PolyCut

Always check the mowing head for signs of wear before installing new cutting blades.

! WARNING

If there are signs of serious wear, replace the complete mowing head.

The thermoplastic cutting blades are referred to as "blades" in the following.

The mowing head is supplied with illustrated instructions for replacing the blades. Keep the instructions for the mowing head in a safe place.

! WARNING

To reduce the risk of injury, always shut off the engine before installing the blades.

- Remove the mowing head.
- Replace blades as shown in the illustrated instructions.
- Mount the mowing head on the machine.

Inspections and Maintenance by Dealer

Maintenance Work

STIHL recommends that you have servicing and repair work carried out exclusively by an authorized STIHL servicing dealer.

Fuel Pickup Body in Tank

- Have the pickup body in the fuel tank replaced every year.

Spark Arrestor in Muffler and Spacer

See "Main Parts" for positions of spark arrestor and spacer.

- If the engine is down on power, have the spark arrestor in the muffler checked.
- Check spacer for damage.
- Have damaged spacer replaced immediately.

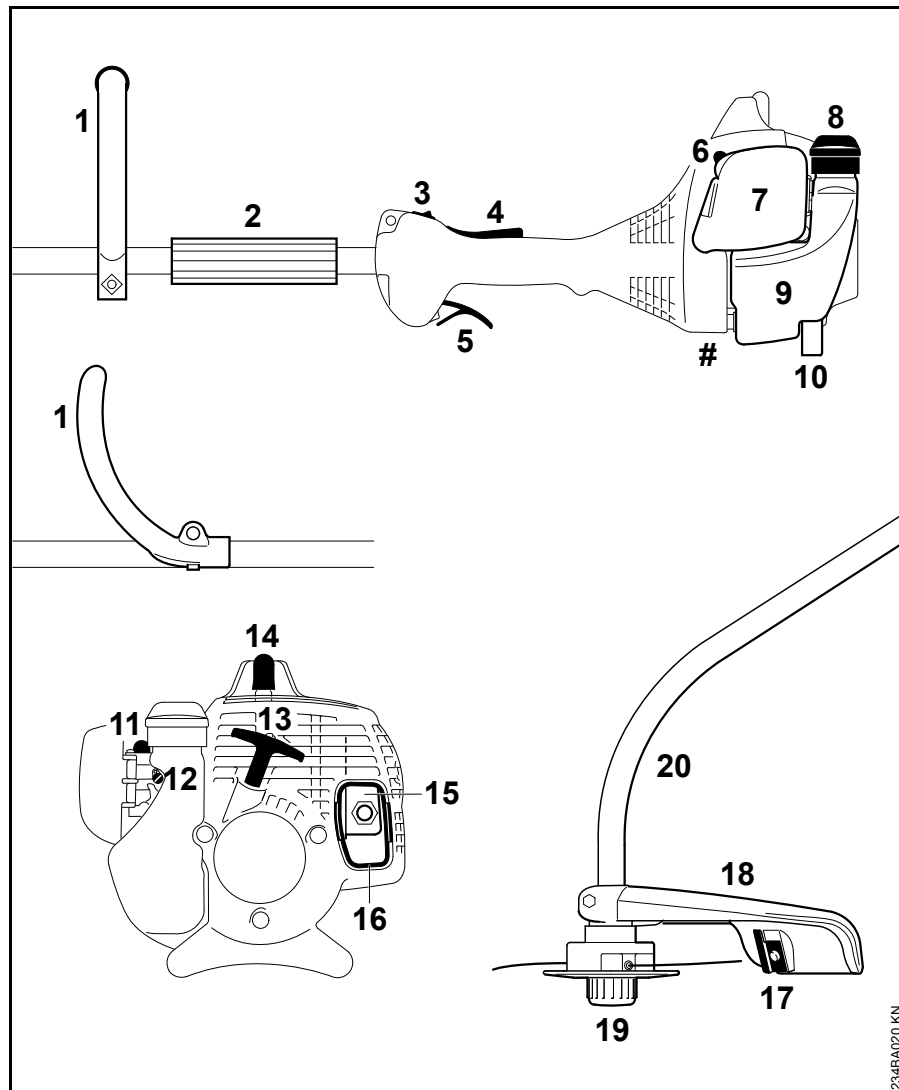
Maintenance and Care

The following intervals apply to normal operating conditions only. If your daily working time is longer or operating conditions are difficult (very dusty work area, etc.), shorten the specified intervals accordingly.		before starting work	after finishing work or daily	after each refueling stop	weekly	monthly	every 12 months	if problem	if damaged	as required
Complete machine	Visual inspection (condition, leaks)	X		X						
	Clean		X							
Control handle	Check operation	X		X						
Air filter	Clean							X		X
	Replace								X	
Manual fuel pump (if fitted)	Check	X								
	Have repaired by servicing dealer ¹⁾								X	
Pickup body in fuel tank	Have checked by servicing dealer ¹⁾							X		
	Have replaced by servicing dealer ¹⁾					X			X	X
Fuel tank	Clean						X			X
Carburetor	Check idle adjustment – the cutting attachment must not rotate	X		X						
	Readjust idle									X
Spark plug	Readjust electrode gap							X		
	Replace after every 100 operating hours									
Cooling inlets	Visual inspection		X							
	Clean									X
Spark arrestor in muffler	Have checked by servicing dealer ¹⁾		X					X		
	Have cleaned or replaced by servicing dealer ¹⁾								X	X
Spacer	Check	X								
	Have replaced by servicing dealer ¹⁾	X						X		
All accessible screws and nuts (not adjusting screws)	Retighten									X

The following intervals apply to normal operating conditions only. If your daily working time is longer or operating conditions are difficult (very dusty work area, etc.), shorten the specified intervals accordingly.		before starting work	after finishing work or daily	after each refueling stop	weekly	monthly	every 12 months	if problem	if damaged	as required
Cutting attachment	Visual inspection	X		X						
	Replace								X	
	Check tightness	X		X						
Safety labels	Replace								X	

¹⁾ STIHL recommends an authorized STIHL servicing dealer.

Main Parts



- 1 Loop Handle
- 2 Sleeve
- 3 Stop Switch
- 4 Throttle Trigger Lockout
- 5 Throttle Trigger
- 6 Choke Lever
- 7 Air Filter Cover
- 8 Fuel Filler Cap
- 9 Fuel Tank
- 10 Machine Support
- 11 Manual Fuel Pump
- 12 Carburetor Adjusting Screws
- 13 Starter Grip
- 14 Spark Plug Boot
- 15 Muffler (with Spark Arresting Screen)
- 16 Spacer
- 17 Line Limiting Blade
- 18 Deflector
- 19 Mowing Head
- 20 Drive Tube
- # Serial Number

234BA020 KN

Definitions

- 1 Loop Handle**
For easy control of machine during cutting work.
- 2 Sleeve**
Maintains minimum clearance between control handle and loop handle.
- 3 Stop Switch**
Switches the engine's ignition off and stops the engine.
- 4 Throttle Trigger Lockout**
Must be depressed before the throttle trigger can be activated.
- 5 Throttle Trigger**
Controls the speed of the engine.
- 6 Choke Lever**
Eases engine starting by enriching mixture.
- 7 Air Filter Cover**
Covers and protects the air filter element.
- 8 Fuel Filler Cap**
For closing the fuel tank..
- 9 Fuel Tank**
For fuel and oil mixture.
- 10 Machine Support**
For resting machine on the ground.
- 11 Manual Fuel Pump**
Provides additional fuel feed for a cold start.
- 12 Carburetor Adjusting Screws**
For tuning the carburetor.

- 13 Starter Grip**
The grip of the pull starter, for starting the engine.
- 14 Spark Plug Boot**
Spark plug boot connects the spark plug with the ignition lead.
- 15 Muffler (with Spark Arresting Screen)**
Muffler reduces exhaust noises and diverts exhaust gases away from operator.
Spark arresting screen is designed to reduce the risk of fire.
- 16 Spacer**
Designed to reduce the risk of burns and fire.
- 17 Line Limiting Blade**
Metal blade on the deflector which keeps the line of the mowing head at the proper length.
- 18 Deflector**
The deflector is designed to reduce the risk of injury from foreign objects flung backwards toward the operator by the cutting attachment and from contact with the cutting attachment.
- 19 Mowing Head**
The cutting attachment, i.e. mowing head, for different purposes.
- 20 Drive Tube**
Encloses and protects the drive shaft between the engine and gearbox.

Specifications

EPA / CEPA

The Emission Compliance Period referred to on the Emissions Compliance Label indicates the number of operating hours for which the engine has been shown to meet Federal emission requirements.

Category

A = 300 hours

B = 125 hours

C = 50 hours

CARB

The Emission Compliance Period used on the CARB-Air Index Label indicates the terms:

Extended = 300 hours

Intermediate = 125 hours

Moderate = 50 hours

Engine

Single cylinder two-stroke engine

FS 38

Displacement:	27.2 cc (1.66 cu.in)
Bore:	34 mm (1.34 in)
Stroke:	30 mm (1.18 in)
Engine power to ISO 8893:	0.65 kW (0.9 bhp) at 7,000 rpm
Idle speed:	2,800 rpm
Cut-off speed (rated):	9,500 rpm
Max. output shaft speed (cutting attachment):	9,500 rpm

FS 38 2-MIX:

Displacement:	27.2 cc (1.66 cu.in)
Bore:	34 mm (1.34 in)
Stroke:	30 mm (1.18 in)
Engine power to ISO 8893:	0.65 kW (0.9 bhp) at 7,000 rpm
Idle speed:	2,800 rpm
Cut-off speed (rated):	9,500 rpm
Max. output shaft speed (cutting attachment):	9,500 rpm

Ignition System

Electronic magneto ignition

Spark plug (resistor type):	Bosch WSR 6 F, NGK BPMR 7 A
Electrode gap:	0.5 mm (0.02 in)

Fuel System

All position diaphragm carburetor with
integral fuel pump

Fuel tank capacity: 0.33 l (11.2 fl.oz)

Weight

Dry, without cutting attachment and
deflector

	4.1 kg (9.0 lbs)
FS 38:	
	4.2 kg (9.3 lbs)
FS 38 2-MIX:	


Special Accessories

Contact your STIHL dealer for
information regarding special
accessories that may be available for
your product.

Maintenance and Repairs

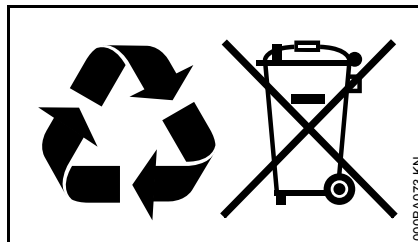
Users of this unit should carry out only the maintenance operations described in this manual. STIHL recommends that other repair work be performed only by authorized STIHL servicing dealers.

Warranty claims following repairs can be accepted only if the repair has been performed by an authorized STIHL servicing dealer using original STIHL replacement parts.

Original STIHL parts can be identified by the STIHL part number, the **STIHL** logo and, in some cases, by the STIHL parts symbol . The symbol may appear alone on small parts.

Disposal

Observe all country-specific waste disposal rules and regulations.



STIHL products must not be thrown in the garbage can. Take the product, accessories and packaging to an approved disposal site for environment-friendly recycling.

Contact your STIHL servicing dealer for the latest information on waste disposal.

STIHL Incorporated Federal Emission Control Warranty Statement

Not for California

Your Warranty Rights and Obligations

The U.S. Environmental Protection Agency (EPA) and STIHL Incorporated are pleased to explain the Emission Control System Warranty on your equipment type engine. In the U.S. new 1997 and later model year small off-road equipment engines must be designed, built and equipped, at the time of sale, to meet the U.S. EPA regulations for small non road engines. The equipment engine must be free from defects in materials and workmanship which cause it to fail to conform with U.S. EPA standards for the first two years of engine use from the date of sale to the ultimate purchaser.

STIHL Incorporated must warrant the emission control system on your small off-road engine for the period of time listed below provided there has been no abuse, neglect or improper maintenance of your small off-road equipment engine.

Your emission control system includes parts such as the carburetor and the ignition system. Also included may be hoses, and connectors and other emission-related assemblies.

Where a warrantable condition exists, STIHL Incorporated will repair your small off-road equipment engine at no cost to you, including diagnosis (if the diagnostic work is performed at an authorized dealer), parts, and labor.

Manufacturer's Warranty Coverage

In the U.S., 1997 and later model year small off-road equipment engines are warranted for two years. If any emission-related part on your engine is defective, the part will be repaired or replaced by STIHL Incorporated free of charge.

Owner's Warranty Responsibilities

As the small off-road equipment engine owner, you are responsible for the performance of the required maintenance listed in your instruction manual. STIHL Incorporated recommends that you retain all receipts covering maintenance on your small off-road equipment engine, but STIHL Incorporated cannot deny warranty solely for the lack of receipts or for your failure to ensure the performance of all scheduled maintenance.

Any replacement part or service that is equivalent in performance and durability may be used in non-warranty maintenance or repairs, and shall not reduce the warranty obligations of the engine manufacturer.

As the small off-road equipment engine owner, you should be aware, however, that STIHL Incorporated may deny you warranty coverage if your small off-road equipment engine or a part has failed due to abuse, neglect, improper maintenance or unapproved modifications.

You are responsible for presenting your small off-road equipment engine to a STIHL service center as soon as a problem exists. The warranty repairs will be completed in a reasonable amount of time, not to exceed 30 days.

If you have any questions regarding your warranty rights and responsibilities, please contact a STIHL customer service representative at 1-800-467-8445 or you can write to

STIHL Inc.,
536 Viking Drive, P.O. Box 2015,
Virginia Beach, VA 23450-2015
www.stihlusa.com

Coverage by STIHL Incorporated

STIHL Incorporated warrants to the ultimate purchaser and each subsequent purchaser that your small off-road equipment engine will be designed, built and equipped, at the time of sale, to meet all applicable regulations. STIHL Incorporated also warrants to the initial purchaser and each subsequent purchaser that your engine is free from defects in materials and workmanship which cause the engine to fail to conform with applicable regulations for a period of two years.

Warranty Period

The warranty period will begin on the date the utility equipment engine is purchased by the initial purchaser and you have signed and sent back the warranty card to STIHL.

If any emission-related part on your engine is defective, the part will be replaced by STIHL Incorporated at no cost to the owner. Any warranted part which is not scheduled for replacement as required maintenance, or which is scheduled only for regular inspection to the effect of "repair or replace as necessary" will be warranted for the warranty period. Any warranted part which is scheduled for replacement as

required maintenance will be warranted for the period of time up to the first scheduled replacement point for that part.

Diagnosis

You, as the owner, shall not be charged for diagnostic labor which leads to the determination that a warranted part is defective. However, if you claim warranty for a component and the machine is tested as non-defective, STIHL Incorporated will charge you for the cost of the emission test. Mechanical diagnostic work will be performed at an authorized STIHL servicing dealer. Emission test may be performed either at STIHL Incorporated or at any independent test laboratory.

Warranty Work

STIHL Incorporated shall remedy warranty defects at any authorized STIHL servicing dealer or warranty station. Any such work shall be free of charge to the owner if it is determined that a warranted part is defective.

Any manufacturer-approved or equivalent replacement part may be used for any warranty maintenance or repairs on emission-related parts and must be provided without charge to the owner. STIHL Incorporated is liable for damages to other engine components caused by the failure of a warranted part still under warranty.

The following list specifically defines the emission-related warranted parts:

- Air Filter
- Carburetor (if applicable)
- Fuel Pump

- Choke (Cold Start Enrichment System) (if applicable)
- Control Linkages
- Intake Manifold
- Magneto or Electronic Ignition System (Ignition Module or Electronic Control Unit)
- Fly Wheel
- Spark Plug
- Injection Valve (if applicable)
- Injection Pump (if applicable)
- Throttle Housing (if applicable)
- Cylinder
- Muffler
- Catalytic Converter (if applicable)
- Fuel Tank
- Fuel Cap
- Fuel Line
- Fuel Line Fittings
- Clamps
- Fasteners

Where to make a Claim for Warranty Service

Bring the product to any authorized STIHL servicing dealer and present the signed warranty card.

Maintenance Requirements

The maintenance instructions in this manual are based on the application of the recommended 2-stroke fuel-oil mixture (see also instruction "Fuel"). Deviations from this recommendation

regarding quality and mixing ratio of fuel and oil may require shorter maintenance intervals.

Limitations

This Emission Control Systems Warranty shall not cover any of the following:

- repair or replacement required because of misuse, neglect or lack of required maintenance,
 - repairs improperly performed or replacements not conforming to STIHL Incorporated specifications that adversely affect performance and/or durability, and alterations or modifications not recommended or approved in writing by STIHL Incorporated,
- and
- replacement of parts and other services and adjustments necessary for required maintenance at and after the first scheduled replacement point.

STIHL Incorporated California Exhaust and Evaporative Emissions Control Warranty Statement

For California only

Your Warranty Rights and Obligations

The California Air Resources Board (CARB) and STIHL Incorporated are pleased to explain the emission control system warranty on your 2013 and later small off-road equipment engine.

In California, new equipment that uses small off-road engines must be designed, built, and equipped to meet the State's stringent anti-smog standards. STIHL Incorporated must warrant the emissions control system on your small off-road engine for the period listed below provided there has been no abuse, neglect or improper maintenance of your small off-road engine.

Your emissions control system may include parts such as the carburetor or fuel-injection system, the ignition system, and catalytic converter. Also included may be hoses, belts, connectors or other emission-related assemblies.

Where a warrantable condition exists, STIHL Incorporated will repair your small off-road equipment engine at no cost to you including diagnosis, parts and labor.

Manufacturer's Warranty Responsibilities

This emissions control system is warranted for two years in California. If any emissions-related part on your equipment is defective, the part will be repaired or replaced by STIHL Incorporated free of charge.

Owner's Warranty Responsibilities

As the small off-road equipment engine owner, you are responsible for performance of the required maintenance listed in your instruction manual. STIHL Incorporated recommends that you retain all receipts covering maintenance on your small off-road equipment engine, but STIHL Incorporated cannot deny warranty solely for the lack of receipts or your failure to ensure the performance of all scheduled maintenance.

As the small off-road equipment engine owner, you should however be aware that STIHL Incorporated may deny you warranty coverage if your small off-road equipment engine or a part has failed due to abuse, neglect, or improper maintenance or unapproved modifications.

You are responsible for presenting your small off-road equipment engine to a STIHL servicing dealer as soon as the problem exists. The warranty repairs should be completed in a reasonable amount of time, not to exceed 30 days. If you have any questions regarding your warranty rights and responsibilities, please contact a STIHL customer service representative at 1-800-467-8445 or you can write to

STIHL Inc., 536 Viking Drive,
P.O. Box 2015,
Virginia Beach, VA 23450-2015.

www.stihlusa.com

Coverage by STIHL Incorporated

STIHL Incorporated warrants to the ultimate purchaser and each subsequent purchaser that your small off-road equipment engine is designed, built and equipped, at the time of sale, to meet all applicable emission regulations.

STIHL Incorporated also warrants to the initial purchaser and each subsequent purchaser that your engine is free from defects in materials and workmanship which cause the engine to fail to conform to applicable emission regulations for a period of two years.

Defects Warranty Period

The warranty periods will begin on the date the utility equipment engine is purchased by the initial purchaser. If any emission-related part on your engine is defective, the part will be replaced by STIHL Incorporated at no cost to the owner.

Add-on or modified parts that are not exempted by CARB may not be used. The use of any non-exempted add-on or modified parts will be grounds for disallowing a warranty claim. STIHL Incorporated will not be liable to warrant failures of warranted parts caused by the use of a non-exempted add-on or modified part.

The warranty on emissions-related parts will be interpreted as follows:

1. Any warranted part that is not scheduled for replacement as required maintenance in the written instructions required in the Emission Warranty Parts List (see below) must be warranted for the warranty period defined in Subsection COVERAGE BY STIHL INCORPORATED, see above. If any such part fails during the period of warranty coverage, it must be repaired or replaced by the manufacturer according to Subsection (4) below. Any such part repaired or replaced under the warranty must be warranted for the remaining warranty period.
2. Any warranted part that is scheduled only for regular inspection in the written instructions required by the Emission Warranty Parts List (see below) must be warranted for the warranty period defined in Subsection COVERAGE BY STIHL INCORPORATED, see above. A statement in such written instructions to the effect of "repair or replace as necessary" will not reduce the period of warranty coverage. Any such part repaired or replaced under warranty must be warranted for the remaining warranty period.
3. Any warranted part that is scheduled for replacement as required maintenance in the written instructions required by the Emission Warranty Parts List (see below) must be warranted for the period of time prior to the first scheduled replacement point for

that part. If the part fails prior to the first scheduled replacement, the part must be repaired or replaced by the engine manufacturer according to Subsection (4) below. Any such part repaired or replaced under warranty must be warranted for the remainder of the period prior to the first scheduled replacement point for the part.

4. Repair or replacement of any warranted part under the warranty must be performed at a warranty station at no charge to the owner.
5. Notwithstanding the provisions of Subsection (4) above, warranty services or repairs will be provided at all manufacturer distribution centers that are authorized to service the subject engines.
6. The owner must not be charged for diagnostic labor that leads to the determination that a warranted part is in fact defective, provided that such diagnostic work is performed at a warranty station.

Warranty Work

STIHL Incorporated shall remedy warranty defects at any authorized STIHL servicing dealer or warranty station. Any such work shall be free of charge to the owner if it is determined that a warranted part is defective. Any manufacturer approved or equivalent replacement part may be used for any warranty maintenance or repairs on emission-related parts and must be provided without charge to the owner. STIHL Incorporated is liable for

damages to other engine components caused by the failure of a warranted part still under warranty.

Emission Warranty Parts List

Air Filter, Carburetor (if applicable), Fuel Pump, Choke (Cold Start Enrichment System) (if applicable), Control Linkages, Intake Manifold, Magneto or Electronic Ignition System (Ignition Module or Electronic Control Unit), Fly Wheel, Spark Plug, Injection Valve (if applicable), Injection Pump (if applicable), Throttle Housing (if applicable), Cylinder, Muffler, Catalytic Converter (if applicable), Fuel Tank, Fuel Cap, Fuel Line, Fuel Line Fittings, Clamps, Fasteners.

Where to make a Claim for Warranty Service

Bring the STIHL product to any authorized STIHL servicing dealer and present the signed STIHL product registration card, or the print-out of the electronic product registration.

Limitations

The repair or replacement of any warranted part otherwise eligible for warranty coverage may be excluded from such warranty coverage if STIHL Incorporated demonstrates that the STIHL product has been abused, neglected, or improperly maintained, and that such abuse, neglect, or improper maintenance was the direct cause of the need for repair or replacement of the part. That notwithstanding, any adjustment of a component that has a factory installed,

and properly operating, adjustment limiting device is still eligible for warranty coverage.

Trademarks

STIHL Registered Trademarks

STIHL®

STIHL®



The color combination orange-grey
(U.S. Registrations #2,821,860;
#3,010,057, #3,010,058, #3,400,477;
and #3,400,476)



AUTOCUT®

EASYSTART®

FARM BOSS®

iCademy®

MAGNUM®

MasterWrench Service®

MotoMix®

OILOMATIC®

ROCK BOSS®

STIHL Cutquik®

STIHL DUROMATIC®

STIHL Quickstop®

STIHL ROLLOMATIC®

STIHL WOOD BOSS®

TIMBERSPORTS®

WOOD BOSS®

YARD BOSS®

Some of STIHL's Common Law Trademarks



4-MIX™

BioPlus™

Easy2Start™

EasySpool™

ElastoStart™

Ematic™

FixCut™

HT Plus™

IntelliCarb™

Master Control Lever™

Micro™

Pro Mark™

Quad Power™

Quiet Line™

STIHL Arctic™

STIHL Compact™

STIHL HomeScaper Series™

STIHL Interchangeable Attachment Series™

STIHL M-Tronic™

STIHL MiniBoss™

STIHL MotoPlus 4™

STIHL Multi-Cut HomeScaper Series™

STIHL OUTFITTERS™

STIHL PICCO™

STIHL PolyCut™

STIHL PowerSweep™

STIHL Precision Series™

STIHL Protech™

STIHL RAPID™

STIHL SuperCut™

STIHL Territory™

TapAction™

TrimCut™

This listing of trademarks is subject to change.

Any unauthorized use of these trademarks without the express written consent of ANDREAS STIHL AG & Co. KG, Waiblingen is strictly prohibited.

Contenido

Acerca de este manual de instrucciones	46	Declaración de garantía de STIHL Incorporated sobre sistemas de control de emisiones según normas Federales	86
Medidas de seguridad y técnicas de manejo	47	Declaración de garantía de STIHL Incorporated sobre el control de emisiones de gases de escape y emisiones por evaporación para el Estado de California	89
Combinaciones aprobadas de accesorio de corte, deflector, mango y arnés	61	Marcas comerciales	91
Montaje del mango tórico	62		
Montaje de la barra de defensa	63		
Montaje del accesorio de corte	63		
Combustible	66		
Llenado de combustible	68		
Arranque / parada del motor	68		
Instrucciones para el uso	71		
Limpieza del filtro de aire	71		
Gestión del motor	72		
Ajuste del carburador	72		
Bujía	74		
Funcionamiento del motor	75		
Dispositivo de arranque	75		
Almacenamiento de la máquina	75		
Mantenimiento de la cabeza segadora	76		
Inspección y mantenimiento por el concesionario	80		
Información para mantenimiento	81		
Componentes importantes	83		
Especificaciones	84		
Accesorios especiales	85		
Información de reparación	86		
Desecho	86		

Permita que solamente las personas que comprenden la materia tratada en este manual manejen su motoguadaña.

Para obtener el rendimiento y satisfacción máximos de la motoguadaña STIHL, es importante que lea, obedezca y comprenda las precauciones de seguridad y las instrucciones de uso y mantenimiento dadas en el capítulo "Precauciones de seguridad y técnicas de uso", antes de usar la motoguadaña. Para información adicional, puede acudir a www.stihlusa.com.

Comuníquese con su representante de STIHL o el distribuidor de STIHL para su zona si no se entiende alguna de las instrucciones dadas en el presente manual.

ADVERTENCIA

Dado que la motoguadaña es una herramienta de corte motorizada de gran velocidad, es necesario tomar medidas especiales de seguridad para reducir el riesgo de lesiones. El uso descuidado o inadecuado puede causar lesiones graves e incluso mortales.

Asegúrese que su máquina esté equipada con el deflector, mango y arnés adecuados para el tipo de accesorio de corte que se está utilizando. Siempre protéjase adecuadamente los ojos.

STIHL®

Este manual de instrucciones está protegido por derechos de propiedad intelectual. Todos los derechos reservados, especialmente los derechos de reproducción, traducción y procesamiento con sistemas electrónicos.

Acerca de este manual de instrucciones

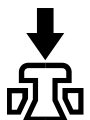
Pictogramas

Todos los pictogramas que se encuentran fijados o grabados en la máquina se explican en este manual.

Según el modelo, los pictogramas siguientes pueden aparecer en su máquina.



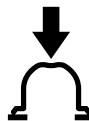
Tanque de combustible que contiene la mezcla de combustible y aceite



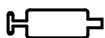
Presione para accionar la válvula de descompresión



Bomba de combustible manual



Presione para accionar la bomba manual de combustible



Orificio de llenado para lubricante de engranajes



Toma de aire para modo de verano



Toma de aire para modo de invierno



Calentador de manillar

Símbolos en el texto

Muchas de las instrucciones de uso y seguridad vienen acompañadas de ilustraciones.

Los pasos individuales o procedimientos descritos en el manual pueden estar señalados en diferentes maneras:

- Se usa un punto para denotar un paso o procedimiento.

Una descripción de un paso o procedimiento que se refiere directamente a una ilustración puede contener números de referencia que aparecen en la ilustración. Ejemplo:

- Suelte el tornillo (1).
- Palanca (2) ...

Además de las instrucciones de uso, en este manual pueden encontrarse párrafos a los que usted debe prestar atención especial. Tales párrafos están marcados con los símbolos y las palabras identificadoras que se describen a continuación.



PELIGRO

Indica un riesgo inminente de lesiones graves o mortales.



ADVERTENCIA

Identifica una situación de peligro que, al no evitarse, puede resultar en lesiones graves o mortales.

INDICACIÓN

Indica el riesgo de daños a la propiedad, incluyendo a la máquina o sus componentes.

Mejoramientos técnicos

La filosofía de STIHL es mejorar continuamente todos sus productos. Como resultado de ello, periódicamente se introducen cambios de diseño y mejoras. Por lo tanto, es posible que algunos cambios, modificaciones y mejoras no se describen en este manual. Si las características de funcionamiento o la apariencia de su máquina difieren de las descritas en este manual, comuníquese con el concesionario STIHL para obtener la ayuda que requiera.

Medidas de seguridad y técnicas de manejo



Dado que la motoguadaña es una herramienta de corte que funciona a gran velocidad, es necesario tomar medidas especiales de seguridad para reducir el riesgo de lesiones.



Es importante que usted lea, comprenda bien y respete las siguientes advertencias y medidas de seguridad. Lea el manual de instrucciones y las precauciones de seguridad periódicamente. El uso descuidado o inadecuado puede causar lesiones graves o incluso la muerte.



Los términos empleados en este manual para designar la herramienta motorizada variarán de acuerdo con los tipos de accesorios de corte que pueden instalarse en la misma. La palabra "orilladora" se usa para identificar una unidad FS equipada con una cabeza de hilo de nilón o una cabeza con cuchillas de plástico flexibles (tal como la cabeza PolyCut). Los modelos FS con una "R" en la chapa de identificación se configuraron originalmente (en el momento de distribución) como una orilladora con un mango tórico.

ADVERTENCIA

Tal como se explicará a continuación en estas Medidas de seguridad, para reducir el riesgo de lesiones personales, asegúrese que su máquina esté equipada con el mango, arnés y deflector adecuados para el tipo de accesorio de corte que se está utilizando. Utilice exclusivamente los accesorios de corte autorizados específicamente por STIHL para usar en su modelo FS. Para reducir el riesgo de lesiones personales o la muerte debido al contacto con las cuchillas y / o a la pérdida de control, nunca intente usar una cuchilla metálica en esta motoguadaña.

Pida a su concesionario STIHL que le enseñe el manejo de la herramienta motorizada. Respete todas las disposiciones, reglamentos y normas de seguridad locales del caso.

ADVERTENCIA

No preste ni alquile nunca su herramienta motorizada sin entregar el manual de instrucciones. Asegúrese de que todas las personas que utilicen la máquina hayan comprendido la información que contiene este manual.

ADVERTENCIA

El uso de esta máquina puede ser peligroso. Si el hilo o la cuchilla giratoria llega a entrar en contacto con su cuerpo, le ocasionará una cortadura. Cuando choca con algún objeto extraño sólido tal como rocas o pedazos de metal, puede arrojarlo directamente o por rebote en dirección de personas que se encuentren en la cercanía o del

operador. El chocar contra este tipo de objetos puede dañar el accesorio de corte. Los objetos lanzados, incluso los cabezales o las cuchillas de polímero rotos, pueden provocar lesiones graves o mortales al operador o a personas que se encuentren en su proximidad.

Use la motoguadaña equipada con el accesorio de corte apropiado únicamente para cortar pasto y materiales similares.

ADVERTENCIA

No debe usarse para ningún otro propósito ya que el uso indebido puede resultar en lesiones personales o daños a la propiedad, incluso daños de la máquina.

ADVERTENCIA

Nunca se debe permitir a los niños que usen esta herramienta motorizada. No se debe permitir la proximidad de otras personas, especialmente de niños, ni de animales en los lugares donde se esté utilizando la máquina.

ADVERTENCIA

Para reducir el riesgo de ocasionar lesiones a las personas en la cercanía y daños a la propiedad, nunca deje la herramienta motorizada en marcha desatendida. Cuando no está en uso (por ejemplo durante el descanso), apáguela y asegúrese que las personas no autorizadas no puedan usarla.

Las medidas de seguridad y avisos contenidos en este manual se refieren al uso de todas las motoguadañas de STIHL. Los distintos modelos pueden contar con piezas y controles diferentes.

Vea la sección correspondiente de su manual de instrucciones para tener una descripción de los controles y la función de los componentes de su modelo.

El uso seguro de una motoguadaña atañe a

1. el operador
2. la herramienta motorizada
3. el uso de la herramienta motorizada

EL OPERADOR

Condición física

Usted debe estar en buenas condiciones físicas y psíquicas y no encontrarse bajo la influencia de ninguna sustancia (drogas, alcohol, etc.) que le pueda restar visibilidad, destreza o juicio. No maneje esta máquina cuando está fatigado.

ADVERTENCIA

Esté alerta. Si se cansa, tómese un descanso. El cansancio puede provocar una pérdida del control. El uso de cualquier herramienta motorizada es fatigoso. Si usted padece de alguna dolencia que pueda ser agravada por la fatiga, consulte a su médico antes de utilizar esta máquina.

ADVERTENCIA

El uso prolongado de una herramienta motorizada (u otras máquinas) expone al operador a vibraciones que pueden provocar el fenómeno de Raynaud (dedos blancos) o el síndrome del túnel carpiano.

Estas condiciones reducen la capacidad de las manos de sentir y regular la temperatura, producen entumecimiento y ardor y pueden provocar trastornos nerviosos y circulatorios, así como necrosis de los tejidos.

No se conocen todos los factores que contribuyen a la enfermedad de Raynaud, pero el clima frío, el fumar y las enfermedades o condiciones físicas que afectan los vasos sanguíneos y la circulación de la sangre, como asimismo los niveles altos de vibración y períodos prolongados de exposición a la vibración son mencionados como factores en el desarrollo de la enfermedad de Raynaud. Por lo tanto, para reducir el riesgo de la enfermedad de dedos blancos y del síndrome del túnel carpiano, sírvase notar lo siguiente:

La mayor parte de las herramientas motorizadas de STIHL se ofrecen con un sistema antivibración ("AV") cuyo propósito es reducir la transmisión de las vibraciones creadas por la máquina

a las manos del operador. Se recomienda el uso del sistema AV a aquellas personas que utilizan herramientas motorizadas en forma constante y regular.

- Use guantes y mantenga las manos abrigadas.
- Mantenga el sistema AV en buen estado. Una herramienta motorizada con los componentes flojos o con elementos AV dañados o desgastados también tendrá tendencia a tener niveles más altos de vibración.
- Agarre firmemente los mangos en todo momento, pero no los apriete con fuerza constante y excesiva. Tómese descansos frecuentes.

Todas las precauciones antes mencionadas no le garantizan que va a estar totalmente protegido contra la enfermedad de Raynaud o el síndrome del túnel carpiano. Por lo tanto, los operadores constantes y regulares deben revisar con frecuencia el estado de sus manos y dedos. Si aparece alguno de los síntomas arriba mencionados, consulte inmediatamente al médico.

ADVERTENCIA

El sistema de encendido de la máquina STIHL produce un campo electromagnético de intensidad muy baja. El mismo puede interferir con algunos tipos de marcapasos. Para reducir el riesgo de lesiones graves o mortales, las personas portadoras de marcapasos deben consultar a sus médicos y al fabricante del marcapasos antes de usar esta máquina.

Vestimenta adecuada**! ADVERTENCIA**

Para reducir el riesgo de lesiones el operador debe usar el equipo protector adecuado.

! ADVERTENCIA

El deflector provisto con su herramienta motorizada no siempre protege al operador contra todos los objetos extraños (gravilla, vidrio, alambre, etc.) arrojados por el accesorio de corte giratorio. Los objetos arrojados o lanzados por el accesorio también pueden rebotar y golpear al operador.

! ADVERTENCIA

Para reducir el riesgo de lesionarse los ojos, nunca maneje la herramienta motorizada si no tiene puestas gafas o anteojos de seguridad bien ajustados con una protección adecuada en las partes superior y lateral que satisfagan la norma ANSI Z 87.1 (o la norma nacional correspondiente). Para reducir el riesgo de lesionarse la cara, STIHL recomienda usar también una careta o protector facial adecuado sobre las gafas o anteojos de seguridad.

El ruido de la herramienta motorizada puede dañar los oídos. Siempre use amortiguadores del ruido (tapones u orejeras) para protegerse los oídos. Los usuarios constantes y regulares deben someterse con frecuencia a un examen o control auditivo.

Esté especialmente alerta y tenga cuidado cuando se usa protectores de oídos, ya que los mismos reducen la posibilidad de oír señales de advertencia (gritos, alarmas, etc.).



Siempre use guantes gruesos (por ejemplo, fabricados de cuero u otro material resistente al desgaste) cuando manipule la máquina y las cuchillas metálicas. Los guantes gruesos y antideslizantes mejoran el manejo y ayudan a proteger las manos.



La ropa debe ser de confección fuerte y ajustada, pero no tanto que impida la completa libertad de movimiento. Use pantalones largos hechos de un material grueso para protegerse las piernas. No use pantalones cortos, sandalias o pies descalzos.



Evite el uso de chaquetas sueltas, bufandas, corbatas, joyas, pantalones acampanados o con vueltas, pelo largo suelto o cualquier cosa que pueda engancharse en las ramas, matorrales o piezas en movimiento de la máquina. Sujétese el pelo de modo que quede sobre los hombros.



Es muy importante tener una buena superficie de apoyo para los pies. Póngase botas gruesas con suela antideslizante. Recomendamos las botas de seguridad con puntera de acero.

LA HERRAMIENTA MOTORIZADA

Para las ilustraciones y definiciones de los componentes de la herramienta motorizada, vea el capítulo sobre "Piezas principales".

ADVERTENCIA

Nunca modifique, de ninguna manera, esta herramienta motorizada. Utilice únicamente los accesorios y repuestos suministrados por STIHL y expresamente autorizados por STIHL para usarse con el modelo específico de STIHL. Si bien es posible conectar a la herramienta motorizada de STIHL ciertos accesorios no autorizados, su uso puede ser, en la práctica, extremadamente peligroso. Para los accesorios de corte autorizados por STIHL para su unidad, consulte el capítulo "Combinaciones aprobadas de accesorio de corte, deflector, mango y arnés", en el manual de instrucciones o en el catálogo STIHL "Accesorios de corte, piezas y accesorios".

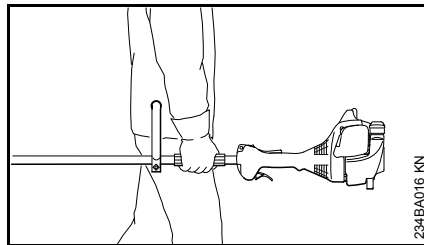
Si la máquina experimenta cargas excesivas para las cuales no fue diseñada (por ejemplo, impactos severos o una caída), siempre asegúrese que esté en buenas condiciones antes de seguir con el trabajo. Inspeccione específicamente la integridad del sistema de combustible (ausencia de fugas), y asegúrese de que los controles y dispositivos de seguridad funcionen como corresponde. No siga manejando esta máquina si está dañada. En caso de dudas, pida que el concesionario de servicio de STIHL la revise.

USO DE LA HERRAMIENTA MOTORIZADA

Transporte de la herramienta motorizada

ADVERTENCIA

Para reducir el riesgo de sufrir lesiones debido a la pérdida de control y al contacto con el hilo, nunca lleve ni transporte la herramienta motorizada con el accesorio de corte en marcha.



Puede acarrearla solamente en posición horizontal. Agarre el eje de una manera que mantenga la máquina equilibrada horizontalmente. Mantenga el silenciador caliente lejos de su cuerpo y el accesorio de corte detrás de usted.

ADVERTENCIA

Antes de apoyar la motoguadaña en el suelo, apague el motor y asegúrese de que el accesorio de corte ha dejado de girar. Cuando transporte la máquina en un vehículo, sujétela firmemente para impedir su vuelco, el derrame de combustible y el daño a la máquina.

Combustible

La herramienta motorizada STIHL utiliza una mezcla de aceite-gasolina como combustible (vea el capítulo "Combustible" en el manual de instrucciones).

ADVERTENCIA



La gasolina es un combustible muy inflamable. Si se derrama y arde a causa de una chispa u otra fuente de ignición, puede provocar un incendio y quemaduras graves o daños a la propiedad. Tenga sumo cuidado cuando manipule gasolina o la mezcla de combustible. No fume cerca del combustible o la herramienta motorizada, ni acerque ningún fuego o llama a ellos. Puede escapar vapor inflamable del sistema de combustible.

Instrucciones para el llenado de combustible

ADVERTENCIA

Para reducir el riesgo de lesiones graves causadas por quemaduras, nunca intente abastecer la máquina con combustible sin que el operador se haya despojado de la misma.

! ADVERTENCIA

Cargue de combustible su herramienta motorizada en lugares al aire libre bien ventilados. Siempre apague el motor y deje que se enfríe antes de llenar de combustible. Dependiendo del combustible utilizado, de las condiciones climáticas y del sistema de ventilación del depósito, es posible que se forme vapor de gasolina a presión dentro del depósito de combustible.

Para reducir el riesgo de quemaduras, así como otras lesiones corporales ocasionadas por los escapes de vapor de gasolina y otras emanaciones, quite la tapa de llenado de combustible de la herramienta motorizada cuidadosamente de modo que la presión que se pueda haber acumulado en el depósito se disipe lentamente. Nunca quite la tapa de llenado de combustible mientras el motor esté funcionando.

Elija una superficie despejada para llenar el depósito y aléjese 3 m (10 pies) por lo menos del lugar en que lo haya llenado antes de arrancar el motor. Limpie todo el combustible derramado antes de arrancar la máquina.

! ADVERTENCIA



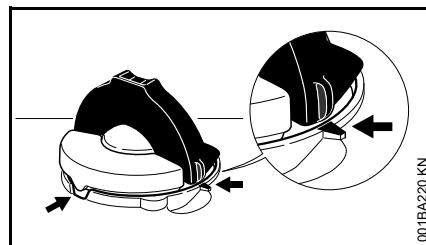
Compruebe que no existan fugas de combustible mientras llena el depósito y durante el funcionamiento de la máquina. Si detecta alguna fuga de combustible, no arranque el motor ni lo haga funcionar sin antes reparar la fuga y limpiar el combustible derramado. Tenga cuidado de no mancharse la ropa con combustible. Si la mancha, cámbiesela inmediatamente.

! ADVERTENCIA

Para reducir el riesgo de derramar combustible y provocar un incendio debido a una tapa de combustible mal apretada, coloque la tapa en la posición correcta y aprétela en la boca de llenado del tanque.

El tipo de tapa de llenado difiere con los distintos modelos.

Tapa sin herramientas con empuñadura



Para hacer esto con esta tapa STIHL, levante la empuñadura en la parte superior de la tapa hasta dejarla vertical

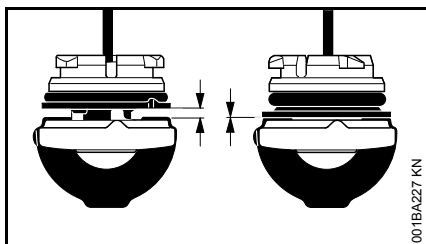
a un ángulo de 90°. Inserte la tapa en la boca de llenado del tanque, alineando las marcas de posición en la empuñadura de la tapa y en la boca del tanque. Utilice la empuñadura para oprimir la tapa firmemente hacia abajo mientras la gira en sentido horario hasta que tope (aprox. un cuarto de vuelta).



Doble la empuñadura dejándola a ras con la parte superior de la tapa. Sujete la tapa y compruebe que esté bien apretada. Si la empuñadura no queda completamente a ras con la tapa y el tope de la empuñadura no encaja en la hendidura correspondiente de la abertura de llenado, o si la tapa está suelta en la boca de llenado, la tapa no está debidamente asentada ni apretada y es necesario repetir los pasos previamente descritos.

Tapa desalineada, dañada o rota

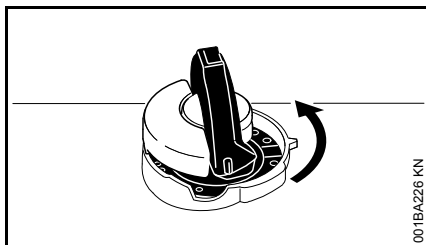
- Si la tapa no encaja completamente en la abertura cuando se alinean las marcas de posición y/o si la tapa no se aprieta debidamente al girarla, la base de la tapa puede haber girado prematuramente (con relación a la parte superior) hasta la posición cerrada. Tal desalineación puede ser resultado de la manipulación, limpieza o un intento incorrecto de apriete.



001BA227 KN

A Base de la tapa en posición izquierda: cerrada (con espacio vacío) a:

A Base de la tapa correctamente colocada para la instalación derecha:



001BA226 KN

- Para volver a colocar la tapa en posición abierta para instalarla, gírela (con la empuñadura hacia arriba) hasta que caiga completamente en la abertura del tanque. A continuación, gire la tapa en sentido contrahorario hasta que tope (aprox. 1/4 de vuelta) – esto gira la base de la tapa a la posición correcta. Luego gire la tapa en sentido horario, cerrándola de modo normal.
- Si aún no es posible apretar la tapa de modo debido, la misma podría estar averiada o rota; ponga la máquina fuera de servicio de

inmediato y llévela a un concesionario STIHL autorizado para repararla.

Tapa roscada

! ADVERTENCIA



Las vibraciones de la máquina pueden aflojar una tapa de combustible que ha quedado mal apretada, o simplemente soltarla y derramar combustible. Para reducir el riesgo de derrames e incendio, apriete la tapa de llenado de combustible a mano tan firmemente como sea posible.

Consulte también el capítulo "Combustible" del Manual de instrucciones para obtener información adicional.

Antes de arrancar

! ADVERTENCIA

Siempre revise la herramienta motorizada para comprobar que está en buenas condiciones y que funciona correctamente antes de arrancarla, en particular el gatillo de aceleración, el bloqueo de gatillo de aceleración, el interruptor de parada, el accesorio de corte, el deflector y el arnés. El gatillo de aceleración debe moverse libremente y siempre debe regresar a la posición de marcha en vacío por la acción de resorte. Nunca intente modificar los controles o los dispositivos de

seguridad. Nunca use una herramienta motorizada que esté dañada o mal cuidada.

! ADVERTENCIA

Revise el sistema de combustible en busca de fugas, especialmente las partes visibles, por ejemplo, la tapa de llenado, conexiones de mangueras y la bomba de combustible manual (únicamente para herramientas motorizadas equipadas con una bomba de combustible de mano). No arranque el motor si se observan fugas o daños – ¡Riesgo de incendios! Solicite al concesionario que repare la máquina antes de usarla.

! ADVERTENCIA

No instale ningún accesorio de corte en una máquina sin que todas las piezas requeridas estén correctamente instaladas. Si no se utilizan las piezas debidas se puede causar el desprendimiento de la cuchilla o la cabeza y lesionar gravemente al operador o a las personas que encuentren en su proximidad.

! ADVERTENCIA

El accesorio de corte debe estar correctamente apretado y en buenas condiciones de trabajo. Inspeccione en busca de piezas flojas (tuercas, tornillos, etc.) Sustituya los cabezales dañados antes de usar la herramienta motorizada.

Mantenga los mangos limpios y secos en todo momento; es particularmente importante mantenerlos libres de humedad, aceite, combustible, grasa o

resinas para garantizar que la máquina pueda empuñarse firmemente para mantenerla bajo control seguro.

! ADVERTENCIA

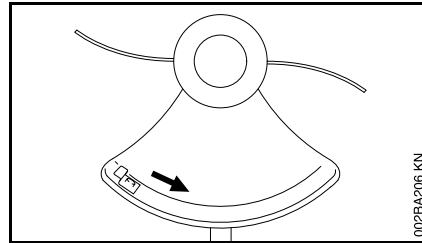
Asegúrese de que el casquillo de la bujía esté firmemente colocado – un casquillo suelto puede crear un arco voltaico y encender los vapores del combustible, provocando un incendio.

! ADVERTENCIA



Para reducir el riesgo de sufrir lesiones corporales debido a la pérdida de control y/o al contacto con la cuchilla o el hilo y los objetos arrojados, asegúrese que su máquina está equipada con el deflector, mango y arnés correctos para el tipo de accesorio de corte que está usando (vea la tabla en el capítulo "Combinaciones aprobadas de accesorio de corte, deflector, mango y arnés").

Mantenga siempre el deflector (y la faldilla en su caso) bien ajustado (vea en su manual de instrucciones los capítulos de "Montaje del deflector" y "Montaje del accesorio de corte").



Las flechas en el deflector (vista de abajo) muestran el sentido correcto de rotación del accesorio de corte. Sin embargo, al verlo de arriba, el accesorio de corte gira en sentido contrahorario.

Ajuste la empuñadura y el arnés (si lo tiene) de modo correspondiente a su estatura antes de empezar a trabajar. La máquina debe estar correctamente equilibrada de la forma especificada en el manual de instrucciones para un control correcto y menos fatiga de trabajo. Para prepararse para emergencias, practique la liberación rápida de la unidad del arnés.

Arranque

Arranque el motor solamente al aire libre, por lo menos 3 m (10 pies) del lugar en que lo haya llenado.

Para las instrucciones específicas de arranque, vea la sección correspondiente en el manual del usuario. Coloque la herramienta motorizada sobre suelo firme u otra superficie sólida en un lugar abierto. Mantenga el equilibrio y elija un buen punto de apoyo para los pies.

! ADVERTENCIA

Para reducir el riesgo de lesiones debido al contacto con las cuchillas o el hilo, esté absolutamente seguro que el accesorio de corte se encuentra lejos de su cuerpo y de todas las obstrucciones y objetos, incluido el suelo, porque al arrancar el motor, su velocidad será lo suficientemente rápida para que el embrague se engrane y haga girar el accesorio de corte.

Tan pronto arranque, accione inmediatamente por un breve momento el gatillo de aceleración para desconectarlo de la posición de arranque y permitir que el motor se desacelere a la marcha en vacío.

Con el motor funcionando a marcha en vacío solamente, enganche la herramienta motorizada al gancho de resorte de su arnés, si lo tiene (vea el capítulo correspondiente del manual de instrucciones).

! ADVERTENCIA

Su herramienta motorizada es una máquina que debe ser manejada por solamente una persona. No deje que otras personas estén en el lugar de trabajo, aun durante el arranque.

! ADVERTENCIA

Para reducir el riesgo de sufrir lesiones causadas por la pérdida de control, no intente arrancar el motor de la herramienta "por lanzamiento".

! ADVERTENCIA

Cuando tire del mango de arranque, no enrolle la cuerda de arranque alrededor de la mano. No deje que el mango retroceda bruscamente, sino guíe la cuerda de arranque para que se enrolle debidamente. Si no ejecuta este procedimiento puede lastimarse la mano o los dedos y también dañar el mecanismo de arranque.

Ajustes importantes

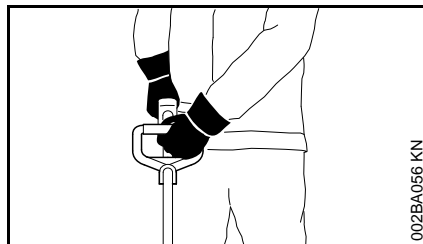
! ADVERTENCIA

Para reducir el riesgo de lesiones personales debido a la pérdida de control o al contacto con el accesorio de corte en movimiento, no use una máquina cuyo régimen de marcha en vacío está mal regulado. Cuando el régimen de marcha en vacío está correctamente regulado, el accesorio de corte no debe moverse. Para instrucciones acerca de cómo ajustar el régimen de marcha en vacío, vea la sección correspondiente del manual de instrucciones.

Si no puede regular correctamente la marcha en vacío, pida a su concesionario STIHL que revise la herramienta motorizada y haga los ajustes o reparaciones correspondientes.

Durante el funcionamiento

Sujeción y control de la herramienta motorizada



Al trabajar, siempre sujete la máquina firmemente con ambas manos en los mangos. Envuelva los dedos firmemente en los mangos, manteniéndolos sujetos entre los dedos índice y pulgar. Mantenga las manos en esta posición, para que siempre tenga la herramienta motorizada bien controlada. Asegúrese que los mangos y las empuñaduras de la motoguadaña están en buenas condiciones y sin humedad, resina, aceite o grasa.

! ADVERTENCIA

Para reducir el riesgo de lesiones causadas por la pérdida del control, nunca trabaje sobre una escalera o cualquier otra superficie de soporte poco seguro. Nunca mantenga el accesorio de corte a una altura más arriba de la cintura.

! ADVERTENCIA



Nunca intente manejar la herramienta motorizada con una sola mano. La pérdida de control de la herramienta motorizada puede ocasionar lesiones graves o mortales. Para reducir el riesgo de lesionarse, mantenga las manos y los pies alejados del accesorio de corte. No toque nunca con las manos ni con cualquier parte del cuerpo un accesorio de corte en movimiento.

! ADVERTENCIA

No trate de alcanzar más lejos de lo debido. Mantenga los pies bien apoyados y equilibrados en todo momento. Se debe tener cuidado especial cuando las condiciones del suelo son resbaladizas (suelo húmedo, nieve) y en terreno difícil y con mucha vegetación. Para evitar tropezarse, esté atento a los obstáculos ocultos tales como tocones, raíces y zanjas. Para obtener un punto de apoyo seguro, quite los matorrales y el material cortado. Sea sumamente precavido cuando trabaje en declives o terreno irregular.

Condiciones de trabajo

Maneje y arranque su herramienta motorizada solamente al aire libre en un lugar bien ventilado. Manéjela solamente en condiciones de buena visibilidad y a la luz del día. Trabaje con mucho cuidado.

! ADVERTENCIA

Tan pronto arranca, este producto genera vapores de escape tóxicos que contienen productos químicos (tales como hidrocarburos sin quemar y monóxido del carbono, incluyendo el benceno) considerados como causantes de enfermedades respiratorias, cáncer, defectos de nacimiento u otra toxicidad reproductora. Algunos de estos gases (por ej., monóxido de carbono) pueden ser incoloros e inodoros. Para reducir el riesgo de sufrir lesiones graves o mortales por respirar gases tóxicos, nunca haga funcionar la máquina puertas adentro o en lugares mal ventilados.

! ADVERTENCIA

Si la vegetación que se está cortando o la tierra en el lugar está recubierta de una sustancia química (tal como un pesticida o herbicida activo), lea y siga las instrucciones suministradas con la sustancia en cuestión.

! ADVERTENCIA

La inhalación de ciertos polvos, especialmente los polvos orgánicos, tales como el moho o polen, puede provocar reacciones alérgicas o asmáticas en las personas sensibles. La

inhalación repetida o de grandes cantidades de polvo u otros contaminantes del aire, especialmente los de partículas pequeñas puede causar enfermedades respiratorias o de otro tipo. Controle el polvo en su fuente, siempre que sea posible. Utilice buenas prácticas de trabajo, tal como trabajar de manera que el viento o el proceso de corte dirija el polvo producido por la herramienta motorizada en sentido opuesto del operador. Observe las recomendaciones emitidas por EPA/OSHA/NIOSH y las asociaciones de trabajo y los sindicatos con respecto al polvo ("materia particulada"). Cuando sea imposible eliminar significativamente la inhalación del polvo, es decir mantener el nivel cerca del valor ambiente, el operador y las personas que se encuentren en la cercanía siempre deberán usar un respirador aprobado por NIOSH/MSHA para el tipo de polvo presente en el lugar.

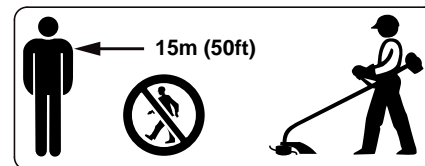
Instrucciones de manejo**! ADVERTENCIA**

No maneje la herramienta motorizada usando el bloqueo de acelerador para arranque, pues no tendrá control de la velocidad del motor.

En caso de emergencia, apague el motor inmediatamente – mueva el control deslizante / interruptor de parada a 0 o STOP

! ADVERTENCIA

El accesorio de corte giratorio puede arrojar objetos extraños a gran distancia directa o indirectamente.



Para reducir el riesgo de ocasionar lesiones a los ojos u otras partes del cuerpo (vea el capítulo "Vestimenta adecuada"), asegúrese que las personas estén a por lo menos 15 m (50 pies) de distancia de la máquina. Para reducir el riesgo de ocasionar daños a la propiedad, mantenga esta distancia con respecto a los vehículos y las ventanas. Aun si se mantiene una distancia mínima de 15 metros, esto no elimina el peligro potencial. Los trabajadores que deben quedar en la zona prohibida también deben usar gafas o protección ocular. Apague el motor inmediatamente si se le aproxima alguna persona.



Nunca utilice cuchillas metálicas en esta orilladora. Solamente se permite el uso de cabezas segadoras.

! ADVERTENCIA



Revise la zona de trabajo: Para reducir el riesgo de lesionarse, retire las piedras, piezas metálicas y otros objetos sólidos que pudieran ser lanzados a una distancia de 15 metros o más por el accesorio de corte, o que pudieran dañar el accesorio de corte y la propiedad (por ejemplo: vehículos estacionados, ventanas)



! ADVERTENCIA

La motoguadaña normalmente se usa a nivel del suelo con el accesorio de corte paralelo al suelo. El uso de la motoguadaña sobre el nivel del suelo o con el accesorio de corte perpendicular al suelo puede incrementar el riesgo de lesiones, dado que el accesorio de corte queda casi totalmente expuesto y la herramienta motorizada es más difícil de controlar.

! ADVERTENCIA

Durante el corte, revise frecuentemente el apriete y la condición del accesorio de corte en intervalos regulares con el motor y el accesorio parados. Si nota un cambio en el comportamiento del accesorio durante el trabajo, apague el motor inmediatamente, espere hasta que se pare el accesorio de corte y revise el apriete de la tuerca que sujeta el accesorio y revise el cabezal en busca de grietas, desgaste y daños.

! ADVERTENCIA

Una cabeza suelta puede vibrar, agrietarse, romperse o salirse de la motoguadaña, lo que puede provocar lesiones graves o mortales. Asegúrese que el accesorio de corte esté correctamente apretado. Utilice la llave suministrada o cualquier otra que tenga el largo adecuado para obtener el par de apriete adecuado. Si la cabeza se suelta después de haberla apretado correctamente, deje de manejar la máquina inmediatamente. La tuerca de retención puede estar desgastada o dañada y debe ser sustituida. Si la cabeza continúa suelta, consulte al concesionario STIHL. Nunca use una motoguadaña con un accesorio de corte suelto.

! ADVERTENCIA

Sustituya inmediatamente una cabeza trizada, dañada o desgastada o una cuchilla trizada, combada, deformada, dañada, desafilada o desgastada, incluso si solamente hay rayas superficiales. Los accesorios en esa condición pueden romperse a velocidad alta y causar lesiones graves o mortales.

! ADVERTENCIA

Si la cabeza, la cuchilla o el deflector se atasca o queda pegado, siempre apague el motor y asegúrese que el accesorio de corte está detenido antes de limpiarlo. Quite el pasto, las malezas, etc. de la cuchilla o de alrededor de la cabeza en intervalos regulares.

! ADVERTENCIA

Para reducir el riesgo de la rotación inesperada del accesorio de corte y la posibilidad de sufrir lesiones, siempre apague el motor y quite el casquillo de la bujía antes de sustituir el accesorio de corte. Para reducir el riesgo de sufrir lesiones, siempre apague el motor antes de ajustar el largo del hilo de nilón en las cabezas segadoras de ajuste manual.

! ADVERTENCIA

La caja de engranajes está caliente durante el funcionamiento de la máquina. Para reducir el riesgo de lesiones por quemaduras, no toque la caja de engranajes cuando está caliente.

! ADVERTENCIA

Nunca modifique el silenciador. La modificación del silenciador podría causar el aumento del calor irradiado, de las chispas y del nivel de ruido, lo que aumentará el riesgo de incendios, lesiones por quemadura o la pérdida auditiva. Además, se podría dañar permanentemente el motor. Haga reparar el silenciador únicamente por el concesionario de servicio STIHL.

! ADVERTENCIA

El silenciador y otros componentes del motor (por ej., aletas del cilindro, bujía) se calientan durante el funcionamiento y permanecen calientes por un buen rato después de apagar el motor. Para reducir el riesgo de quemaduras, no toque el silenciador ni los otros componentes mientras están calientes.

Mantenga limpia la zona alrededor del silenciador. Quite el lubricante excesivo y toda la basura tal como las agujas de pinos, ramas u hojas. Deje que el motor se enfríe apoyado sobre una superficie de hormigón, metal, suelo raso o madera maciza, lejos de toda sustancia combustible.

ADVERTENCIA

Una caja de cilindro dañada o mal instalada, o una envuelta del silenciador dañada o deformada, puede perjudicar el proceso de enfriamiento del silenciador. Para reducir el riesgo de incendio o lesiones por quemadura, no continúe trabajando con una caja de cilindro dañada o mal instalada, o una envuelta del silenciador dañada o deformada.

El silenciador tiene un chispero diseñado para reducir el riesgo de incendio debido a la emisión de partículas calientes. Nunca haga funcionar la unidad sin tener instalado el chispero. Si la mezcla de gasolina y aceite está correcta (no es demasiado rica), en condiciones normales el chispero quedará limpio como resultado del calor del silenciador y no necesitará servicio ni mantenimiento. Si el rendimiento de su máquina comienza a disminuir y sospecha que las rejillas están obstruidas, haga reparar el silenciador por un concesionario de servicio STIHL. Para ciertas aplicaciones, las leyes o los reglamentos estatales o federales pueden requerir el uso de un chispero en buenas condiciones. Consulte la sección "Mantenimiento, Reparación y Almacenamiento" de estas Medidas de seguridad. Recuerde que el riesgo de

incendios de matorrales o forestales es mayor durante las estaciones calurosas y secas.

ADVERTENCIA



Algunas herramientas motorizadas STIHL están equipadas con un convertidor catalítico, el que está diseñado para reducir las emisiones de escape del motor mediante un proceso químico en el silenciador. Debido a este proceso, el silenciador no se enfría tan rápidamente como los del tipo convencional cuando el motor vuelve a marchar en vacío o se apaga. Para reducir el riesgo de incendios y lesiones por quemadura al usar un convertidor catalítico, apoye siempre su herramienta motorizada en posición vertical y no la coloque nunca donde el silenciador quede cerca de material seco como por ejemplo matorrales, pasto, virutas de madera u otros materiales combustibles mientras todavía está caliente.

Uso de los accesorios de corte

Para una ilustración de los diversos accesorios de corte y las instrucciones sobre el montaje correcto, vea el capítulo sobre "Montaje del accesorio de corte" en su manual de instrucciones.

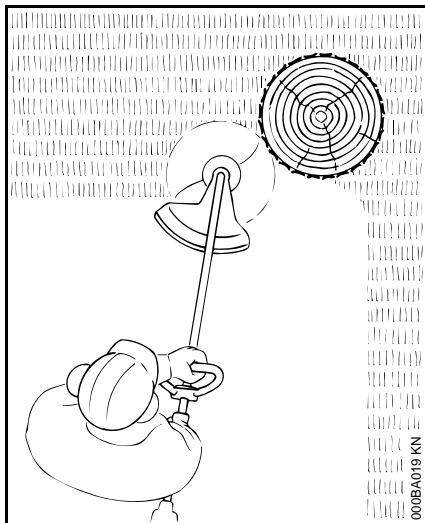
ADVERTENCIA

Para reducir el riesgo de lesiones personales o la muerte debido al contacto con las cuchillas y / o a la pérdida de control, nunca intente usar una cuchilla metálica en esta motoguadaña.

Uso de las cabezas segadoras

No use con un hilo de segado más largo que el deseado. Con un deflector debidamente instalado, la cuchilla limitadora integral automáticamente ajusta el hilo al largo adecuado.

Al usar la máquina con un hilo de nilón de largo excesivo se aumenta la carga del motor y se reduce la velocidad de funcionamiento. Esto hace que el embrague patine continuamente y resulta en sobrecalentamiento y daño de los componentes importantes (por ejemplo, el embrague y las piezas de polímero de la caja). Un efecto de este tipo de daño puede ser la rotación del accesorio de corte cuando el motor está a la velocidad de marcha en vacío.



Las cabezas segadoras deben usarse solamente en las motoguadañas con una cuchilla limitadora del hilo en el deflector para mantener el hilo al largo correcto (vea el capítulo "Piezas principales" en el manual de instrucciones).

Si las orillas del césped tienen árboles o están bordeadas por un cerco, etc., es mejor usar la cabeza de hilo de nylon. Deja un corte más "suave" con menos riesgo de dañar la corteza de los árboles, etc., que si se usan cuchillas de polímero.

Sin embargo, la cabeza PolyCut de STIHL con cuchilla de polímero produce un mejor corte si no hay plantas a lo largo de la orilla del césped. No es necesario afilar y las cuchillas de polímero desgastadas se pueden cambiar fácilmente.

! ADVERTENCIA

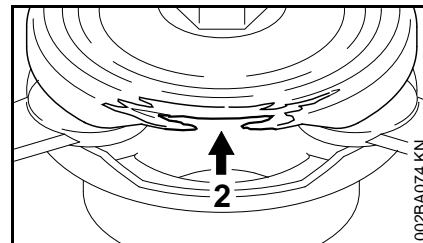
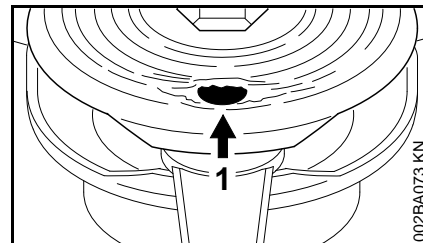
Para reducir el riesgo de lesiones graves, nunca use un hilo de alambre o reforzado con metal ni ningún otro material en lugar de los hilos de corte de nylon. Es posible que unos pedazos de alambre sean desprendidos y arrojados a gran velocidad contra el operador o terceros.

Cabeza segadora AutoCut de STIHL

El hilo de corte de nylon avanza automáticamente cuando se le golpea contra el suelo (característica TapAction).

Cabeza segadora STIHL PolyCut 6-3

Utiliza cuchillas de polímero pivotantes no rígidas.



No siga usando la PolyCut si uno de los agujeros circulares (1; flecha) está visible o si el borde saliente (2; flecha) está desgastado. Instale una cabeza segadora nueva.

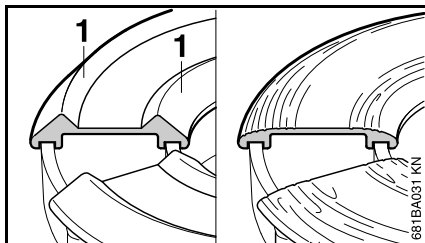
! ADVERTENCIA

Si se pasan por alto las marcas de límite de desgaste, el accesorio de corte puede astillarse y lanzar objetos que puedan lesionar al operador o a terceros. Para reducir el riesgo de lesiones causadas por la rotura de la cuchilla, evite el contacto con las piedras, el metal u otros objetos sólidos. Revise la condición de las cuchillas PolyCut en intervalos regulares. Siempre sustituya todas las cuchillas si se encuentra una fisura en una cuchilla.

Cabeza segadora FixCut de STIHL

Utiliza tramos de largo fijo del hilo de nylon.

Observe los indicadores de desgaste.



No siga trabajando con la cabeza segadora si le faltan las piezas moldeadas (1) elevadas en la base o si las mismas están desgastadas - vea la ilustración arriba a la derecha. En este caso, la cabeza segadora puede astillarse y los objetos lanzados pueden ocasionar lesiones al operador o a las personas que se encuentren en la cercanía. Instale una cabeza segadora nueva.

MANTENIMIENTO, REPARACIÓN Y ALMACENAMIENTO

Los trabajos de mantenimiento, reemplazo o reparación de los dispositivos y sistemas de control de emisiones de escape pueden ser realizados por cualquier taller o técnico de motores no diseñados para vehículos. Sin embargo, si usted está reclamando cobertura de garantía para algún componente que no ha sido reparado o mantenido debidamente, o cuando se utilizan repuestos no autorizados, STIHL puede denegar la garantía.

! ADVERTENCIA

Utilice solamente las piezas de repuesto idénticas de STIHL para el mantenimiento y la reparación. El uso

de piezas no fabricadas por STIHL puede causar lesiones graves o mortales.

Siga precisamente las instrucciones de mantenimiento y reparación dadas en las secciones correspondientes del manual de instrucciones.

! ADVERTENCIA

Siempre apague el motor y verifique que el accesorio de corte está parado antes de llevar a cabo cualquier trabajo de mantenimiento, reparación o limpieza de la herramienta motorizada. No intente hacer ningún trabajo de mantenimiento o reparación que no esté descrito en su manual de instrucciones. Este tipo de trabajo debe ser realizado únicamente por el concesionario de servicio de STIHL.

! ADVERTENCIA

Use la bujía especificada y asegúrese de que ella y el cable de encendido están limpios y en buen estado. Siempre inserte el casquillo de la bujía bien apretado en el borne de la bujía del tamaño adecuado. (Nota: Si el borne tiene una tuerca adaptadora SAE desmontable, tiene que ser firmemente instalada.) Una conexión suelta entre la bujía y el conector del cable de encendido en el casquillo puede crear un arco voltaico y encender los vapores del combustible y provocar un incendio.

! ADVERTENCIA

No pruebe nunca el sistema de encendido con el casquillo desconectado de la bujía, o sin tener instalada la bujía, ya que las chispas al descubierto pueden causar un incendio.

! ADVERTENCIA

Nunca maneje su herramienta motorizada si el silenciador está dañado, se ha perdido o si fue modificado. Un silenciador mal cuidado aumenta el riesgo de incendio y puede causar pérdida de audición. El silenciador está equipado con un chispero para reducir el riesgo de incendio; no maneje nunca su herramienta motorizada si le falta el chispero o está dañado. Recuerde que el riesgo de incendios de matorrales o forestales es mayor durante las estaciones calurosas y secas.

En California, constituiría una violación de los acápites § 4442 o § 4443 del Código de Recursos Públicos el uso de herramientas con motor de gasolina en tierras cubiertas por bosques, arbustos o pastos, a menos que el sistema de escape del motor cuente con un chispero que satisfaga los requisitos legales y reciba un mantenimiento adecuado para estar en buenas condiciones de funcionamiento. El propietario/operador de este producto es responsable del mantenimiento adecuado del chispero. Otras entidades/agencias estatales o gubernamentales, tales como el Servicio Forestal de los EE.UU., pueden tener requisitos similares. Comuníquese con el cuerpo de bomberos de su

localidad o con el servicio forestal para informarse en cuanto a las leyes y reglamentos relacionados con los requisitos de protección contra incendios.

 **ADVERTENCIA**

Nunca repare los cabezales dañados o rotos. Esto puede causar el desprendimiento de alguna pieza del accesorio de corte y producir lesiones graves o mortales.

Apriete todas las tuercas, pernos y tornillos, excepto los tornillos de ajuste del carburador, después de cada uso.

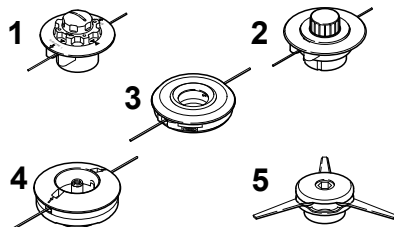
No limpie la máquina con una lavadora a presión. El chorro fuerte de agua puede dañar las piezas de la máquina.

Guarde la herramienta motorizada en un lugar seco y elevado o con llave lejos del alcance de los niños.

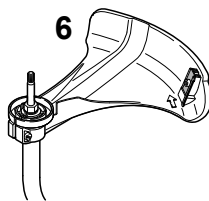
Antes de guardar la máquina durante un período de más de algunos días, siempre vacíe el tanque de combustible. Consulte el capítulo "Almacenamiento de la máquina" en el manual de instrucciones.

Combinaciones aprobadas de accesorio de corte, deflector, mango y arnés

Accesorio de corte



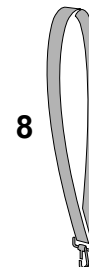
Deflector



Mango



Arnés/Correa para hombro



234BA022 KN

Combinaciones aprobadas

La combinación completa consta de:

- Accesorio de corte
- Deflector
- Mango
- Arnés/correa para el hombro (accesorio especial)

Seleccione la combinación correcta de la tabla según el accesorio de corte que se desee utilizar.

! ADVERTENCIA

Por razones de seguridad, no está permitida ninguna otra combinación – **debido al riesgo de que ocurran accidentes.**

Accesorios de corte

Cabezas segadoras

- 1 STIHL AutoCut C 5-2
- 2 STIHL AutoCut 5-2
- 3 STIHL FixCut 5-2
- 4 STIHL DuroCut 5-2
- 5 STIHL PolyCut 6-3

Deflector

- 6 Deflector con cuchilla para cabezas segadoras

Mango

- 7 Mango tórico

Arnés

- 8 Se puede usar la correa para el hombro

! ADVERTENCIA

Basado en el accesorio de corte en uso:

Seleccione un deflector adecuado para reducir el riesgo de lesiones causadas por los objetos lanzados y por el contacto con el accesorio de corte.

Para reducir el riesgo de sufrir lesiones debido a la pérdida de control y al contacto con el accesorio de corte, asegúrese que su máquina está equipada con el mango y arnés correctos.

No utilice cuchillas de polímero rígido, accesorios de corte metálicos ni discos de sierra con esta máquina.

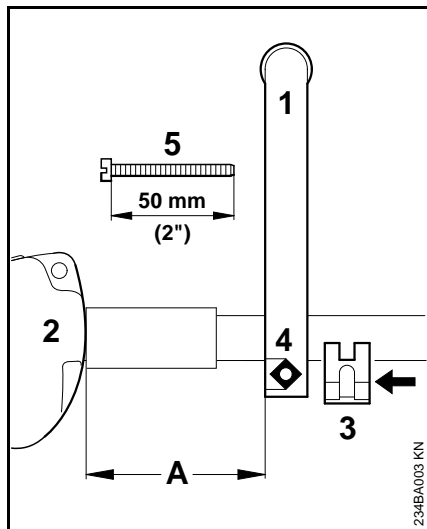
Solamente las cabezas segadoras pueden usarse en las motoguadañas con mango tórico equipadas con un tubo de mando curvo.

Montaje del mango tórico

El mango tórico viene en dos versiones distintas.

Versión A

Montaje del mango tórico



- Fije el mango tórico (1) en el tubo de mando, a aproximadamente 15 cm (6 pulg) (A) delante del mango de control (2).
- Coloque la abrazadera (3) contra el tubo de mando y deslícela en el mango tórico.
- Inserte la tuerca cuadrada (4) en el mango tórico.
- Coloque el tornillo (5) por el otro lado y apriételo bien firme.

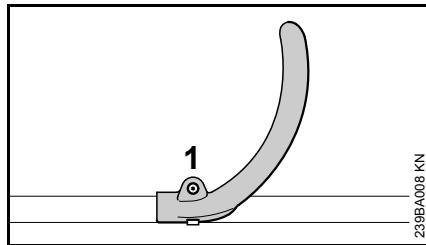
Ajuste del mango tórico a la posición más cómoda

- Suelte el tornillo (5).
- Deslice el mango tórico a lo largo del tubo de mando, según se requiera.
- Apriete el tornillo (5) firmemente.

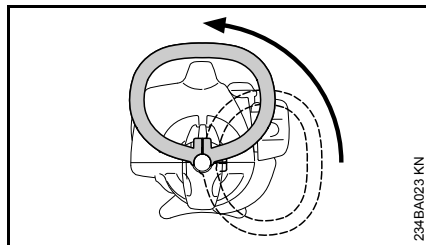
Versión B

En el tubo de mando, la nueva herramienta motorizada tiene montado un mango tórico que debe girarse y alinearse de acuerdo con sus necesidades.

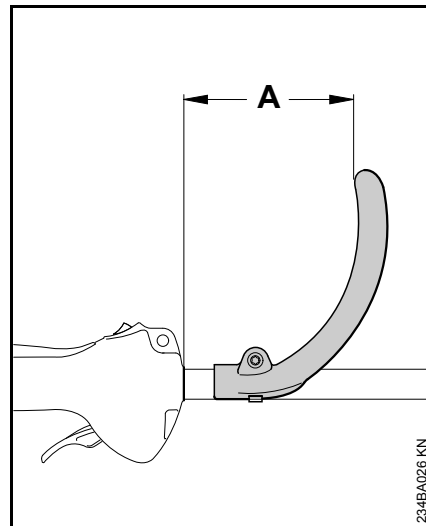
Alinee el mango tórico.



- Use la llave combinada para soltar el tornillo (1).



- Gire el mango a la posición vertical.

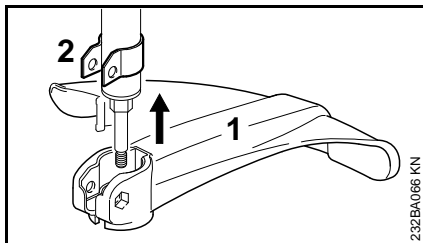


El mango tórico puede ajustarse de acuerdo con la talla y el alcance del operador y el uso, por medio de variar la distancia (A).

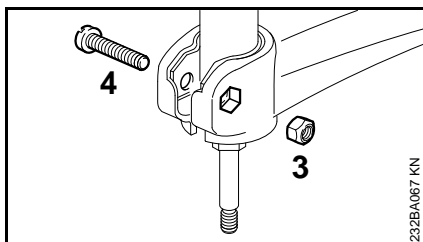
Recomendación: la distancia (A) debe medir aproximadamente 15 cm (6 pulg)

- Deslice el mango a la posición requerida.
- Apriete el tornillo con la llave combinada hasta que no sea posible girar el mango en el tubo de mando.

Montaje de la barra de defensa



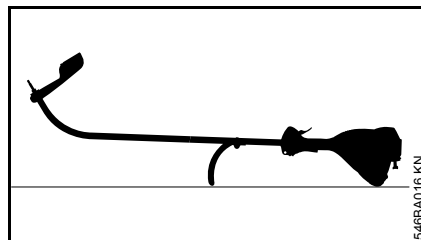
- Empuje el deflector (1) sobre la abrazadera (2) hasta el tope.



- Inserte la tuerca (3) en el rebajo hexagonal del deflector – asegúrese de alinear los agujeros.
- Inserte el tornillo (4) y apriételo bien firme.

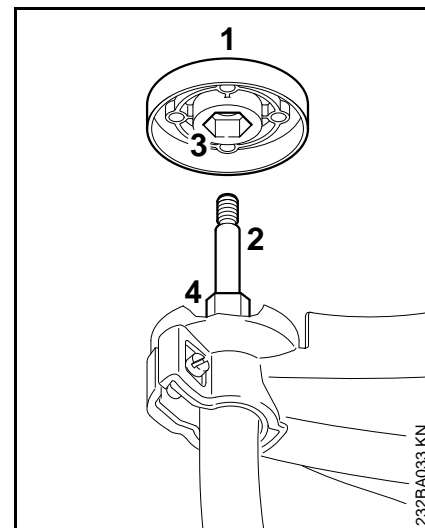
Montaje del accesorio de corte

Colocación de la herramienta motorizada en el suelo



- Apague el motor.
- Apoye la orilladora sobre su parte trasera con el mango tórico y la cubierta orientados hacia abajo y el eje de salida vuelto hacia arriba.

Placa de empuje



La placa de empuje se suministra con la PolyCut 6-3 y FixCut 5-2. Es necesario usarla solamente para con estas cabezas segadoras.

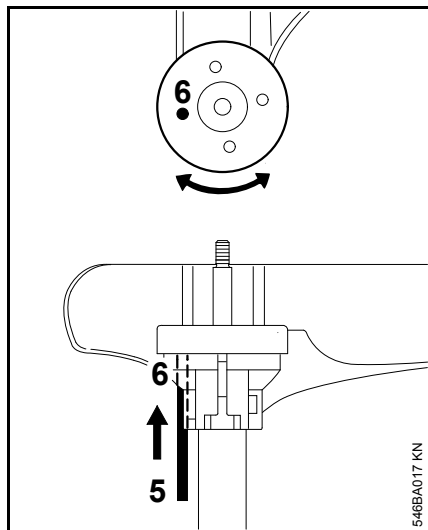
Cabeza segadora STIHL AutoCut 5-2, cabeza segadora STIHL AutoCut C 5-2

- Si la tiene, extraiga del eje (2) la placa de empuje (1).

Cabeza segadora STIHL PolyCut 6-3, cabeza segadora STIHL FixCut 5-2

- Deslice la placa de empuje (1) sobre el eje (2) y engrane el rebajo hexagonal (3) en el hexágono externo (4).

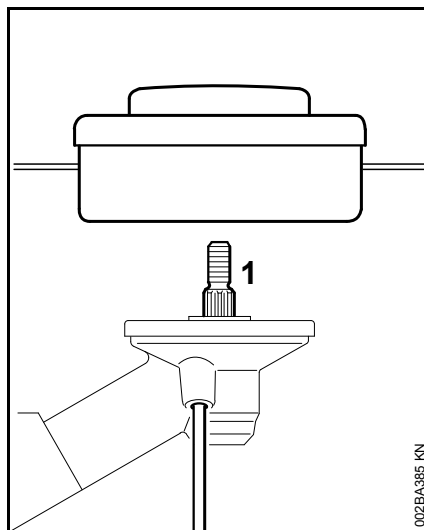
Bloquee el eje.



- Para bloquear el eje, empuje una herramienta adecuada (5) a través de los agujeros (6) en el deflector y la placa de empuje – si es necesario, gire la placa hacia uno o otro lado.

Colocación de cabeza segadora con tornillo de montaje

Guarde la hoja de instrucciones de la cabeza segadora en un lugar seguro.



- Atornille la cabeza segadora en sentido contrahorario en el eje (1) hasta que tope.
- Bloquee el eje.
- Apriete la cabeza segadora bien firme.

INDICACIÓN

Quite la herramienta usada para bloquear el eje.

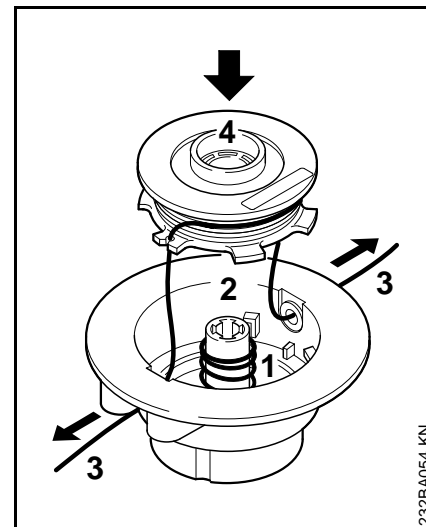
Retiro de la cabeza segadora

- Bloquee el eje.
- Destornille la cabeza segadora en sentido horario.

Colocación de cabeza segadora sin tornillo de montaje

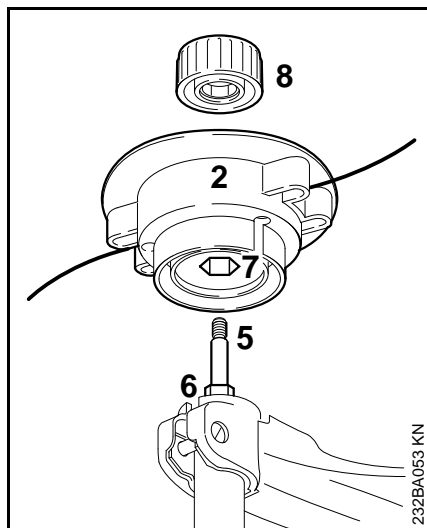
Guarde la hoja de instrucciones de la cabeza segadora en un lugar seguro.

STIHL AutoCut 5-2



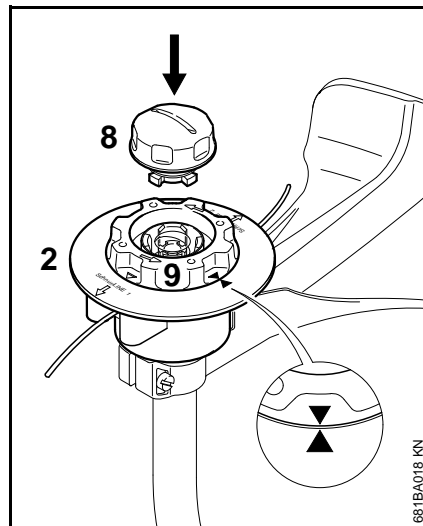
- Coloque el resorte (1) en la cabeza segadora (2).
- Enrolle el hilo de corte (3) en el carrete (4).
- Pase la punta del hilo de nilón a través de los manguitos y coloque el carrete en la cabeza.

Los pasos individuales se describen en la hoja de instrucciones suministrada.



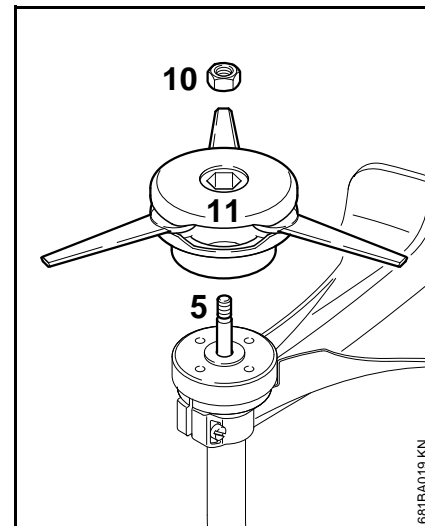
- Deslice la cabeza segadora (2) por encima del tubo (5) y engrane el rebajo hexagonal (7) en el hexágono externo (6).
- Coloque la tapa (8) en la cabeza segadora y atorníllela en sentido horario en el eje hasta donde tope.

STIHL AutoCut C 5-2



- Deslice la cabeza segadora (2) sobre el eje, como se hace con la AutoCut 5-2.
- Enrosque el carrete (9) en sentido horario hasta que las dos flechas queden alineadas entre sí - fije el carrete en esta posición.
- Coloque la tapa (8) en el carrete, presionándola hacia abajo hasta el tope y girándola en sentido horario al mismo tiempo.
- Gire la tapa hasta que se siente resistencia y luego apriétela bien firme con la mano.

STIHL PolyCut 6-3



- Instale la placa de empuje en el eje.
- Inserte la tuerca (10) en la cabeza segadora.
- Atornille la cabeza segadora (11) en sentido horario en el eje (5) hasta donde tope.
- Bloquee el eje.
- Apriete la cabeza segadora bien firme.

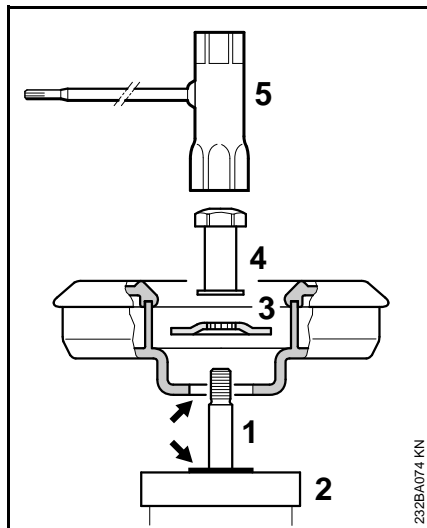
! ADVERTENCIA

Si la tuerca de montaje está demasiado floja, instale una nueva.

INDICACIÓN

Quite la herramienta usada para bloquear el eje.

STIHL FixCut 5-2



- Deslice la placa de empuje (2) sobre el eje.
- Coloque la cabeza segadora en la placa de empuje (2).

! ADVERTENCIA

El collar (vea las flechas) debe encajar en el agujero de montaje de la cabeza segadora.

- Empuje la arandela de empuje (3) sobre el eje (1) de modo que se coloque contra la base.
- Bloquee el eje.
- Utilice la llave combinada (5) (accesorio especial) para atornillar la tuerca de montaje (4) en el eje de salida y apriétela firmemente.

! ADVERTENCIA

Si la tuerca de montaje está demasiado floja, instale una nueva.

INDICACIÓN

Quite la herramienta usada para bloquear el eje.

Retire la cabeza segadora.

STIHL AutoCut

- Sujete la cabeza segadora firmemente.
- Destornille la tapa en sentido contrahorario.

STIHL PolyCut

- Bloquee el eje.
- Destornille la cabeza segadora en sentido contrahorario.

STIHL FixCut

- Bloquee el eje.
- Use la llave combinada (accesorio especial) para aflojar y destornillar la tuerca de montaje en sentido contrahorario fuera del eje de salida.

Combustible

Este motor está certificado para funcionar con una mezcla de 50 a 1 de gasolina sin plomo y aceite STIHL para motores de dos tiempos.

Su motor requiere una mezcla de gasolina de alta calidad y aceite para motores de dos tiempos enfriados por aire.

Utilice gasolina sin plomo de grado intermedio con un octanaje mínimo de 89 ((R+M)/2) y un contenido de etanol no mayor que el 10%.

El combustible de octanaje bajo puede aumentar la temperatura de funcionamiento del motor. Esto, a su vez, aumenta el riesgo de que se agarrote el pistón y se dañe el motor.

La composición química del combustible también es importante. Algunos aditivos de combustible no solamente tienen efectos perjudiciales en los elastómeros (diafragmas de carburador, sellos de aceite, tuberías de combustible, etc.), sino también en las piezas fundidas de magnesio y en los convertidores catalíticos. Esto podría causar problemas de funcionamiento e incluso daño del motor. Por esta razón, STIHL recomienda el uso exclusivo de gasolina sin plomo reconocida de buena calidad.

La gasolina con un contenido de etanol mayor que el 10% puede causar problemas de funcionamiento y averías graves en motores, por lo cual no debe utilizarse.

El contenido de etanol en la gasolina afecta el régimen de marcha del motor – podría resultar necesario reajustar el carburador si se utilizan combustibles con diversos niveles de contenido de etanol.

ADVERTENCIA

Para reducir el riesgo de lesiones personales debido a la pérdida de control y/o al contacto con la herramienta de corte en movimiento, no use una máquina cuyo régimen de marcha en vacío está mal regulado. Cuando el marcha en vacío está correctamente regulado, la herramienta de corte no debe moverse.

Si su herramienta motorizada indica que el régimen de marcha en vacío está mal regulado, pida a su representante de STIHL que revise la herramienta motorizada y haga los ajustes o reparaciones correspondientes.

Las velocidades de ralentí y máxima del motor varían si se cambia el combustible por otro con un contenido mayor o menor de etanol.

Este problema se evita si siempre se utiliza combustible con un mismo contenido de etanol.

Use solamente el aceite STIHL para motores de dos tiempos o un aceite de marca equivalente para motores de dos tiempos diseñado para usar exclusivamente con los motores de dos tiempos enfriados por aire.

Se recomienda usar aceite STIHL HP Ultra para motores de 2 tiempos, puesto que éste ha sido formulado especialmente para uso en motores STIHL.

No use aceites para mezclar con designaciones BIA o TCW (para motores de dos tiempos enfriados por agua) ni otros aceites para mezclar diseñados para usar en motores enfriados por agua o por aire (por ejemplo, en motores marinos fuera de borda, motonieves, sierras de cadenas, bicimotos, etc.).

ADVERTENCIA

Manipule la gasolina con sumo cuidado. Evite el contacto directo con la piel y evite inhalar los vapores de combustible. Cuando se reabastece de combustible, quite primero el envase del vehículo y colóquelo en el suelo antes de llenarlo. Para reducir el riesgo de la formación de chispas causadas por la descarga de electricidad estática y un posible incendio y/o explosión, no llene los envases de combustible cuando están colocados dentro de un vehículo o remolque.

Mantenga el envase bien cerrado para limitar la cantidad de humedad que penetre en la mezcla.

Limpie el tanque de combustible de la máquina según sea necesario.

Duración de la mezcla de combustible

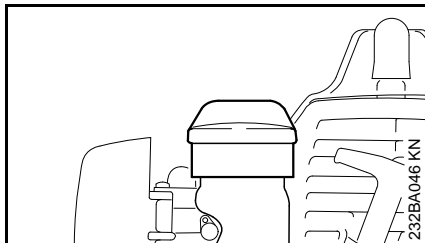
Mezcle una cantidad suficiente de combustible para trabajar unos pocos días, no lo guarde por más de 30 días. Guárdelo únicamente en envases aprobados para combustible. Para el proceso de mezclado, vierta el aceite en el envase primero y luego agregue la gasolina. Cierre el envase y agítelo

vigorosamente a mano para asegurar que se mezclen bien el aceite y la gasolina.

Gasolina gal EE.UU.	Aceite (STIHL 50:1 ó aceite de alta calidad equivalente) oz fl EE.UU.
1	2,6
2 1/2	6,4
5	12,8

Deseche los envases vacíos usados para mezclar el aceite únicamente en vertederos autorizados para ello.

Llenado de combustible



Antes de llenar la máquina con combustible, limpie a fondo la tapa de llenado y la zona alrededor del mismo para evitar la entrada de tierra al tanque.

Siempre agite bien la mezcla en el recipiente antes de llenar la máquina con combustible.

! ADVERTENCIA

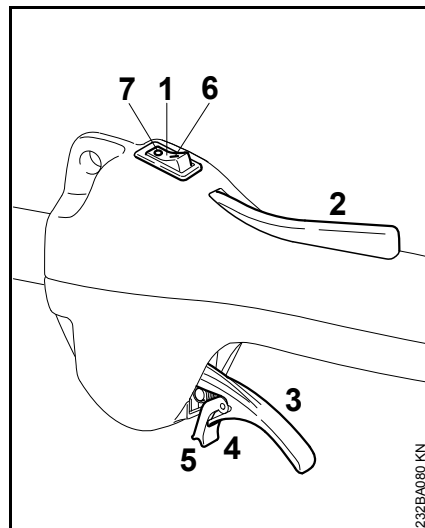
Para reducir el riesgo de quemaduras, así como de incendios y de lesiones corporales ocasionadas por los escapes de vapor de gasolina y otras emanaciones, quite la tapa de llenado de combustible cuidadosamente de modo que la presión que se pueda haber acumulado en el tanque se disipe lentamente.

! ADVERTENCIA

Después de haber cargado la máquina con combustible, apriete la tapa del tanque **tan firmemente como sea posible** con la mano.

Arranque / parada del motor

Controles

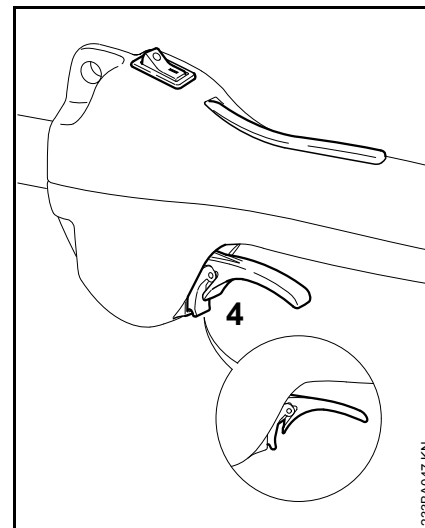


- 1 Interruptor de parada
- 2 Bloqueo de gatillo de aceleración
- 3 Gatillo de aceleración
- 4 Pestaña del gatillo de aceleración
- 5 Traba

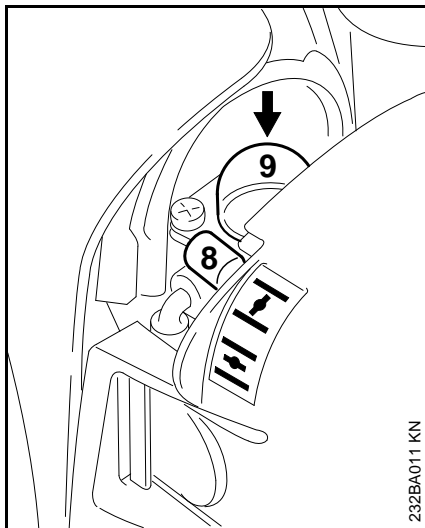
Posiciones del interruptor de parada

- 6 I – posición de funcionamiento normal – el motor está en marcha o puede arrancarse
- 7 0 – Stop – motor apagado – el encendido está apagado

Arranque



- Mueva el interruptor de parada a I
- Mantenga oprimido el bloqueo del gatillo.
- Oprima el gatillo de aceleración hasta que la traba de la pestaña (4) se enganche en la caja (**flecha**).
- Ahora suelte el gatillo de aceleración, la pestaña y el bloqueo del gatillo, en el orden indicado. Esta es la **posición de arranque del acelerador**.

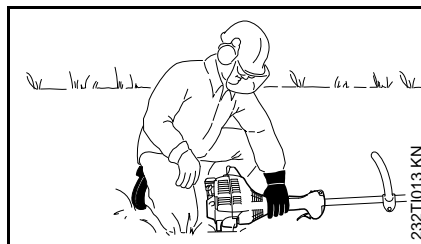
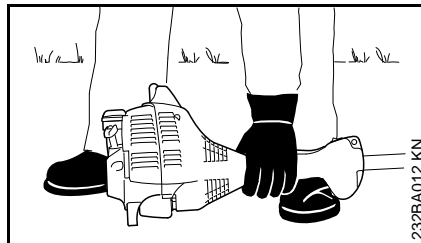


- Ponga la palanca del estrangulador (8) en

Si el motor está frío
 para arranque en caliente – también utilice esta posición si el motor ha estado en marcha, pero todavía se encuentra frío.

- Oprima el bulbo (9) de la bomba de combustible manual por lo menos cinco veces, aunque el bulbo esté lleno de combustible.

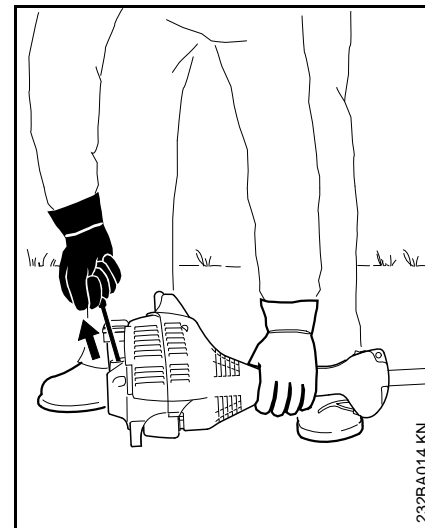
Arranque



- Apoye la máquina en el suelo: Debe quedar firmemente apoyada en el soporte del motor y el deflector. Verifique que el accesorio de corte no esté tocando el suelo ni ningún otro obstáculo.
- Asegúrese de tener los pies apoyados de modo seguro y firme.
- Sujete la máquina con la mano izquierda y empuje hacia abajo **firmemente** – el pulgar debe estar debajo de la caja.

INDICACIÓN

No se pare ni se arrodille sobre el tubo de mando.



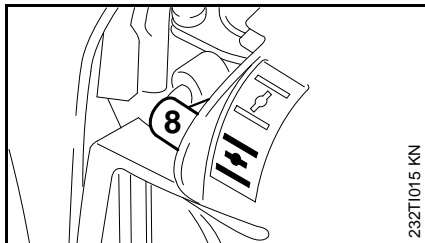
- Sujete el mango de arranque con la mano derecha.
- Tire lentamente del mango de arranque hasta que sienta el enganche del mismo y en seguida dele un tirón fuerte y rápido.


INDICACIÓN

No tire de la cuerda de arranque totalmente hasta fuera, se podría romper.

- No deje que el mango de arranque salte bruscamente hacia atrás. Guíelo lentamente hacia el interior de la caja para que la cuerda de arranque se enrolle correctamente.
- Siga intentando el arranque.

Cuando el motor empieza a encenderse



- Después de no más que **cinco** intentos, mueva la perilla del estrangulador (8) a  y
- siga intentando el arranque.

Tan pronto arranca

- Comprima el gatillo de aceleración para desenganchar la lengüeta – el motor reduce su aceleración a marcha en vacío.

ADVERTENCIA

Asegúrese de que el carburador esté correctamente ajustado. El accesorio de corte no debe girar cuando el motor está funcionando a marcha en vacío.


La máquina ahora está lista para usarse.


Parada del motor

- Mueva el interruptor de parada a 0

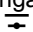
Si el motor no arranca:

Palanca del estrangulador

Si no se mueve la palanca del estrangulador a  en un tiempo suficientemente corto después que el motor ha empezado a encenderse, el motor se encuentra "ahogado".

- Ponga el estrangulador en  y
- Mueva el interruptor de parada a I y ponga la palanca de interbloqueo y el gatillo de aceleración en la **posición de arranque**.
- Arranque el motor tirando de la cuerda de arranque rápidamente, pueden ser necesarios unos 10 a 20 tirones.

Si el motor todavía no arranca

- Mueva el interruptor de parada a 0
- Quite la bujía – vea "Bujía".
- Seque la bujía.
- Haga girar el motor varias veces con el arrancador para despejar la cámara de combustión.
- Vuelva a colocar la bujía – vea "Bujía".
- Mueva el interruptor de parada a I.
- Ponga la palanca del estrangulador en  – aun si el motor está frío
- Ahora arranque el motor.

Se agotó completamente el combustible en el depósito

- Después de llenar el tanque, oprima el bulbo de la bomba de combustible por lo menos cinco veces, aunque el bulbo esté lleno de combustible.
- Ajuste la palanca del estrangulador según la temperatura del motor.
- Arranque el motor.

Instrucciones para el uso

Durante el período de rodaje

Una máquina nueva de fábrica no debe hacerse funcionar a velocidad alta (aceleración máxima sin carga) por el lapso que tome llenar el tanque tres veces. Esto evita la imposición de cargas innecesariamente altas durante el período de rodaje. Ya que todas las piezas móviles deben asentarse durante el período de rodaje inicial, durante este tiempo la resistencia causada por fricción en el motor es más elevada. El motor desarrolla su potencia máxima después de haber llenado el tanque de 5 a 15 veces.

Durante el trabajo

Después de un período largo de funcionamiento con el acelerador a fondo, deje funcionar el motor por un rato en ralentí de modo que el calor en el motor sea disipado por la corriente de aire de enfriamiento. Esto ayuda a evitar que los componentes montados en el motor (encendido, carburador) sufran sobrecargas térmicas.

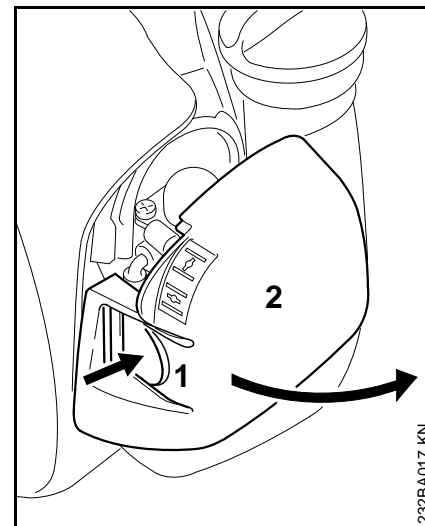
Después de terminar el trabajo

Almacenamiento por corto tiempo:
Espere hasta que el motor se enfríe.
Vacíe el tanque de combustible y guarde la máquina en un lugar seco, alejada de fuentes de encendido, hasta que la vuelva a utilizar. Para los

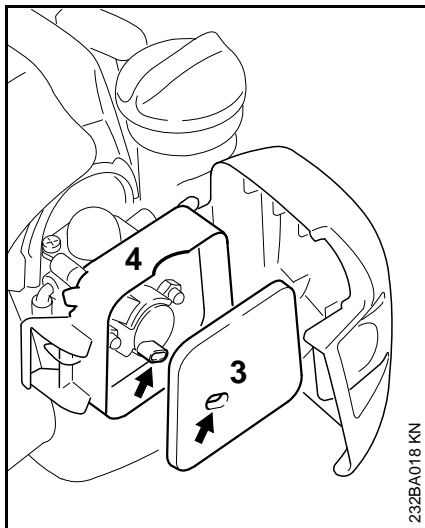
intervalos de almacenamiento por tiempo prolongado – vea "Almacenamiento de la máquina".

Limpieza del filtro de aire

Si se nota una pérdida considerable de la potencia del motor



- Ponga la palanca del estrangulador en **I**.
- Pulse la lengüeta (1) y gire hacia abajo la cubierta del filtro (2).
- Limpie toda la suciedad de alrededor del filtro.



- Quite el elemento de fieltro (3) de la caja del filtro (4) y sustitúyalo – como medida temporal, golpéelo o límpielo con un chorro de aire – no lo lave.
- Sustituya las piezas dañadas.
- Coloque el elemento de fieltro (3) en la caja (4) del filtro.
- Cierre la cubierta del filtro de modo que encaje en su lugar.

Gestión del motor

Las emisiones de gases de escape son controladas por el diseño de parámetros y componentes fundamentales del motor (por ej. carburación, encendido, regulación y regulación de las válvulas o la lumbrera) sin la adición de ningún equipo importante.

Ajuste del carburador

Información general

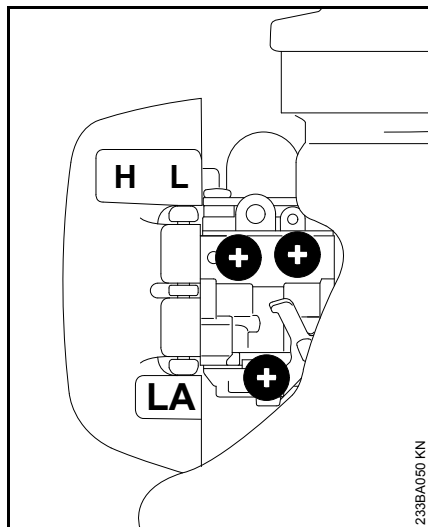
El carburador se ajusta en la fábrica al ajuste estándar.

Este ajuste provee una mezcla óptima de combustible y aire bajo la mayoría de las condiciones de funcionamiento.

Preparaciones

- Apague el motor.
- Montaje del accesorio de corte
- Revise el filtro de aire y límpielo o sustitúyalo de ser necesario.
- Revise el chispero del silenciador (no se usa en todos los modelos, se usa sólo en ciertos países) y límpielo o sustitúyalo de ser necesario.

Ajuste estándar – FS 38



- Gire el tornillo de ajuste de velocidad alta (H) en sentido contrahorario hasta su tope (no más que 3/4 de vuelta).
- Gire el tornillo de ajuste de velocidad baja (L) cuidadosamente en sentido horario hasta su tope y luego 3/4 de vuelta en sentido contrario.

Ajuste de marcha en vacío

- Lleve a cabo el ajuste normal.
- Arranque el motor y caliente.

El motor se para durante el funcionamiento a marcha en vacío

- Gire el tornillo de marcha en vacío (LA lentamente en sentido horario hasta que el motor funcione de modo uniforme – el accesorio de corte no deberá girar.

El accesorio de corte gira cuando el motor funciona a marcha en vacío

- Gire el tornillo de ajuste de marcha en vacío (LA) en sentido contrahorario hasta que el accesorio de corte se detenga y luego gire el tornillo de 1/2 a 1 vuelta completa adicional en el mismo sentido.



ADVERTENCIA

Si el accesorio de corte sigue girando cuando el motor está funcionando a ralentí, pida a su concesionario de servicio que revise y repare la máquina.

Funcionamiento errático en marcha en vacío, aceleración deficiente (después de haber corregido el ajuste del tornillo LA).

Ajuste de marcha en vacío con mezcla muy pobre

- Gire el tornillo de ajuste de velocidad baja (L) cuidadosamente en sentido contrahorario, sin pasar más allá del tope, hasta que el motor funcione y se acelere de modo uniforme.

Funcionamiento irregular a marcha en vacío

Marcha en vacío con mezcla muy rica

- Gire el tornillo de ajuste de velocidad baja (L) en sentido horario, sin pasar más allá del tope, hasta que el motor funcione y se acelere de modo uniforme.

Generalmente es necesario cambiar el ajuste del tornillo de marcha en vacío (LA) después de cada corrección hecha al tornillo de velocidad baja (L).

Ajuste fino para funcionamiento a alturas grandes

Una corrección muy leve puede ser necesaria si el motor no funciona correctamente:

- Lleve a cabo el ajuste normal.
- Caliente el motor.
- Gire el tornillo de ajuste de velocidad alta (H) en sentido horario (mezcla más pobre), pero no más allá del tope.

INDICACIÓN

Después de que la máquina haya regresado del punto a altura grande, devuelva el carburador al ajuste normal.

Si el ajuste es demasiado pobre existe el riesgo de dañar el motor debido a una lubricación insuficiente y calor excesivo.

Bujía

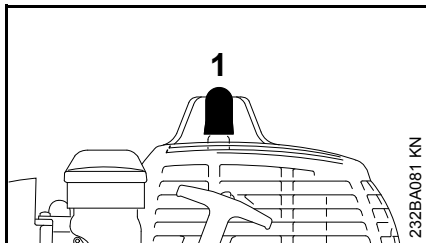
Si el motor pierde potencia, es difícil arrancarlo o funciona de modo irregular a ralentí, revise la bujía primero.

Instale una bujía nueva después de aprox. 100 horas de funcionamiento, o más temprano si los electrodos están muy gastados.

Si la mezcla del combustible es incorrecta (demasiado aceite en la gasolina), el filtro de aire está sucio, y las condiciones de trabajo no son favorables (especialmente a aceleraciones intermedias) se afecta la condición de la bujía. Estos factores permiten la formación de depósitos en la punta aislante, los cuales pueden perjudicar el rendimiento.

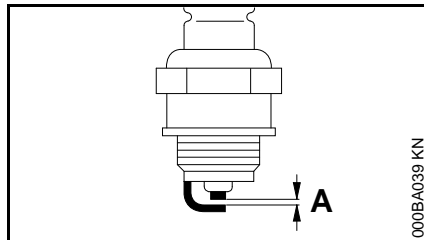
Retiro de la bujía

- Mueva el interruptor de parada a 0.



- Quite el casquillo de la bujía (1).
- Destornille la bujía.

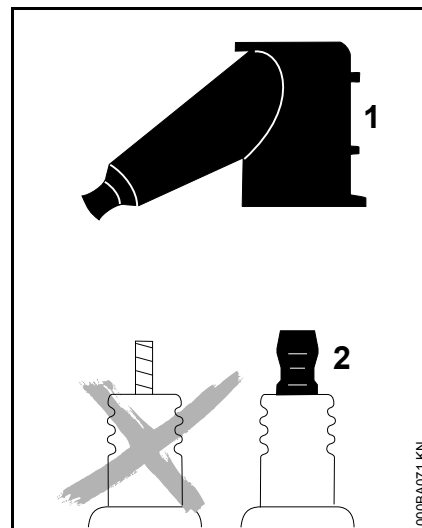
Revisión de la bujía



- Limpie la bujía si está sucia.
- Revise la separación entre electrodos (A) y ajústela de ser necesario – vea "Especificaciones".
- Utilice únicamente bujías tipo resistencia cuyo margen de rendimiento sea el aprobado.

Corrija los problemas que hayan causado la contaminación de la bujía:

- demasiado aceite en la mezcla de combustible,
- filtro de aire sucio,
- condiciones desfavorables de funcionamiento, por ejemplo, funcionando bajo carga parcial.



⚠ ADVERTENCIA

Para reducir el riesgo de incendio y de quemaduras, utilice solamente las bujías autorizadas por STIHL. Siempre empuje el casquillo (1) de la bujía firmemente en el borne (2) del tamaño adecuado. (Nota: Si el borne tiene una tuerca adaptadora SAE desmontable, tiene que ser firmemente instalada). Una conexión suelta entre el casquillo de la bujía y el conector del cable de encendido en el casquillo puede crear un arco voltaico y encender los vapores del combustible, provocando un incendio.

Instalación de la bujía

- Atornille a fondo la bujía, coloque el casquillo y empujelo firmemente en su lugar.

Funcionamiento del motor

Si el funcionamiento del motor es insatisfactorio aunque el filtro de aire está limpio y el carburador ha sido debidamente ajustado, la causa puede hallarse en el silenciador.

Solicite al concesionario que revise si hay contaminación (coquización) en el silenciador.

STIHL recomienda que un concesionario STIHL autorizado efectúe los trabajos de mantenimiento y reparación.

Dispositivo de arranque

Para prolongar la vida útil de la cuerda de arranque, siempre observe los puntos siguientes:

- Tire de la cuerda de arranque solamente en el sentido especificado.
- No tire de la cuerda sobre el borde del buje guía.
- No tire de la cuerda más de lo especificado.
- No deje que el mango de arranque retroceda bruscamente, guíelo lentamente hacia el interior de la caja – vea el capítulo "Arranque/Parada del motor."

Pida que el concesionario de servicio sustituya la cuerda de arranque dañada oportunamente. STIHL recomienda que un concesionario STIHL autorizado efectúe los trabajos de mantenimiento y reparación.

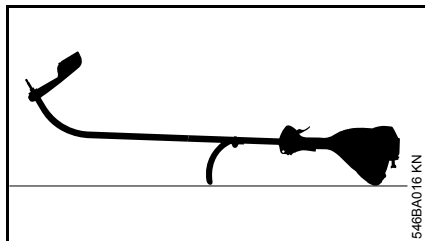
Almacenamiento de la máquina

Para intervalos de 3 meses o más

- Vacíe y limpie el tanque de combustible en una zona bien ventilada.
- Deseche el combustible de acuerdo con los requerimientos locales de protección del medio ambiente.
- Haga funcionar el motor hasta que el carburador se seque. Esto ayuda a evitar que los diafragmas del carburador se peguen.
- Retire, limpie e inspeccione el accesorio de corte.
- Limpie la máquina a fondo - preste atención especial a las aletas del cilindro y al filtro de aire.
- Guarde la máquina en un lugar seco y bajo llave, fuera del alcance de los niños y de otras personas no autorizadas.

Mantenimiento de la cabeza segadora

Colocación de la herramienta motorizada en el suelo



- Apague el motor.
- Apoye la orilladora sobre su parte trasera con el mango tórico y la cubierta orientados hacia abajo y el eje de salida vuelto hacia arriba.

Sustitución del hilo de nilón

Revise siempre la cabeza segadora en busca de desgaste antes de sustituir el hilo de nilón.

! ADVERTENCIA

Si hay señales de desgaste serio, sustituya la cabeza segadora completa.

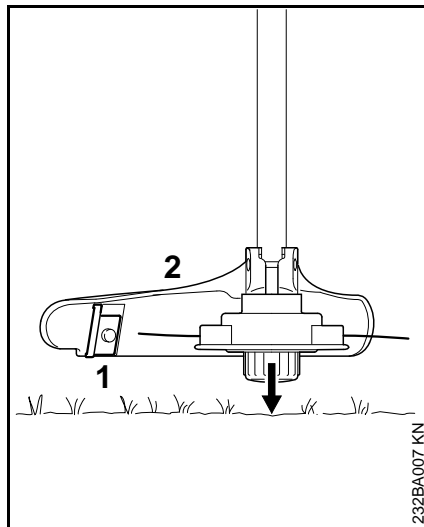
El hilo de segado de nilón se denomina "hilo de nilón" o "hilo" en el texto siguiente.

Con la cabeza segadora se proveen instrucciones ilustradas para la sustitución del hilo de nilón. Guarde las instrucciones de la cabeza segadora en un lugar seguro.

- De ser necesario, retire la cabeza segadora.

Ajuste del hilo de nilón

STIHL AutoCut



- Sujete la cabeza segadora sobre el suelo mientras está girando, golpéela contra el suelo una vez, y avanzarán aproximadamente 3 cm (1,2 pulg) de hilo nuevo.
- La cuchilla (1) en el deflector (2) corta el hilo sobrante al largo correcto. Evite golpear la cabeza más de una vez.

El avance del hilo funciona solamente si **los dos** hilos todavía tienen una longitud mínima de **2,5 cm (1 pulg)**.

Si el hilo mide menos de 2,5 cm (1 pulg):

! ADVERTENCIA

Para reducir el riesgo de sufrir lesiones, siempre apague el motor antes de ajustar el hilo con la mano.

- Invierta la máquina.
- Empuje hasta el tope la tapa en el carrete.
- Extraiga los extremos de los hilos del carrete.

Si el carrete está vacío, coloque trozos de hilo de nilón.

Todas las otras cabezas segadoras

Consulte las instrucciones que se suministran con la cabeza segadora.

! ADVERTENCIA

Para reducir el riesgo de sufrir lesiones, siempre apague el motor antes de ajustar el hilo con la mano.

Sustitución del hilo de nilón

STIHL DuroCut, STIHL FixCut

! ADVERTENCIA

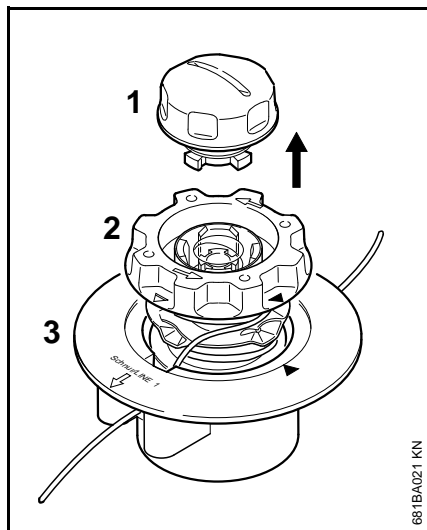
Para reducir el riesgo de sufrir lesiones, siempre apague el motor antes de colocar hilo de nilón.

- Coloque el hilo de nilón en la cabeza segadora según se describe en las instrucciones provistas.

STIHL AutoCut C 5-2

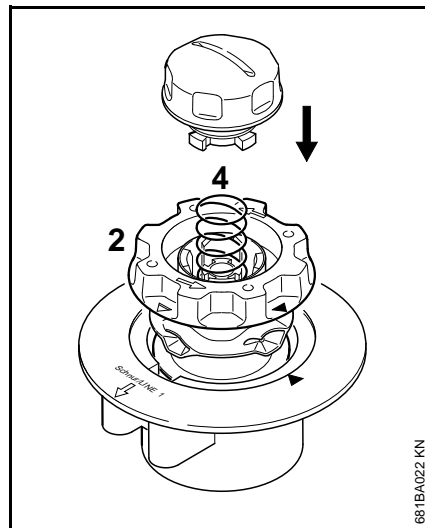
Desarmado de la cabeza segadora y retiro del hilo de nilón restante

Durante el funcionamiento normal, se utiliza todo el hilo de nilón disponible en la cabeza segadora.



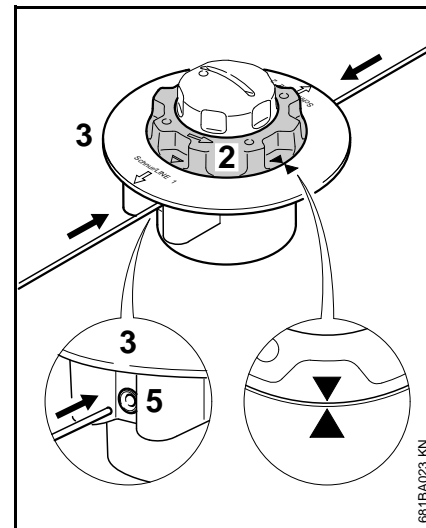
- Sujete bien firme la cabeza segadora y gire la tapa (1) en sentido contrahorario hasta que la pueda retirar.
- Extraiga el carrete (2) de la cabeza segadora (3) y saque el hilo restante.

Armado de la cabeza segadora

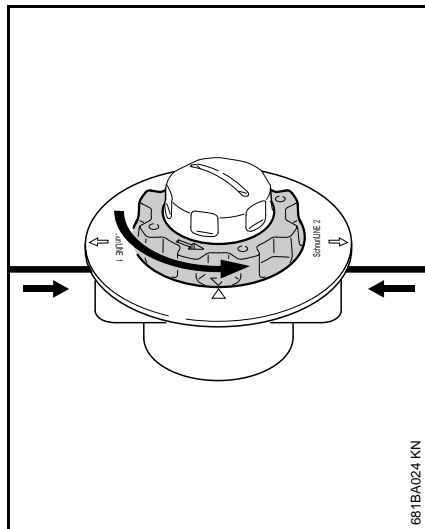


- Coloque el carrete **vacío** en la cabeza segadora.
- Si el resorte (4) se ha salido de su lugar:
- empújelo dentro del carrete (2) hasta que se enganche en posición haciendo un chasquido audible.
 - Instale la cabeza segadora – vea "Montaje de la cabeza segadora".

Enrollado del hilo en el carrete



- Use hilo de nilón codificado verde de 2,0 mm (0,08 pulg) de diámetro.
- Corte dos trozos de hilo de nilón de 2 m (6 pies 6 pulg) de largo del carrete (accesorio especial).
- Gire el carrete (2) en sentido contrahorario hasta que las dos puntas de flecha estén alineadas.
- Empuje el **extremo recto de cada hilo** a través de un manguito (5) en la cabeza segadora (3) hasta sentir resistencia, y luego siga empujando hasta el tope.

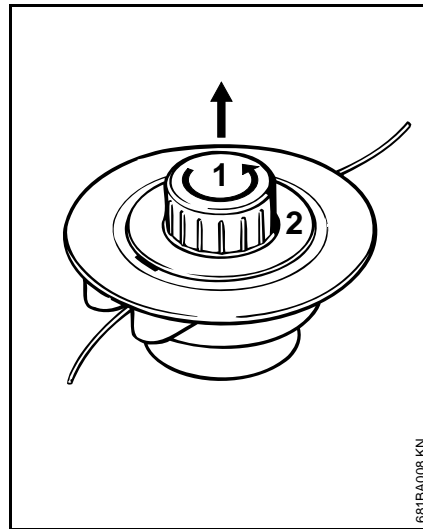


- Sujete la cabeza segadora firmemente.
- Gire el carrete en sentido contrario hasta que el hilo más corte mida aproximadamente 10 cm (4 pulg) de largo.
- De ser necesario, corte el hilo más largo a una longitud aproximada de 10 cm (4 pulg).

Ahora, la cabeza segadora está llena.

STIHL AutoCut 5-2

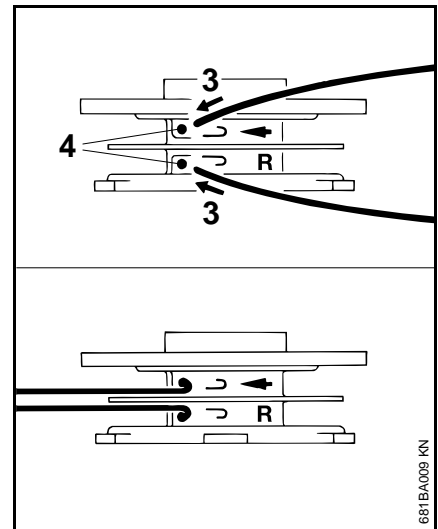
Retiro del hilo de nilón restante



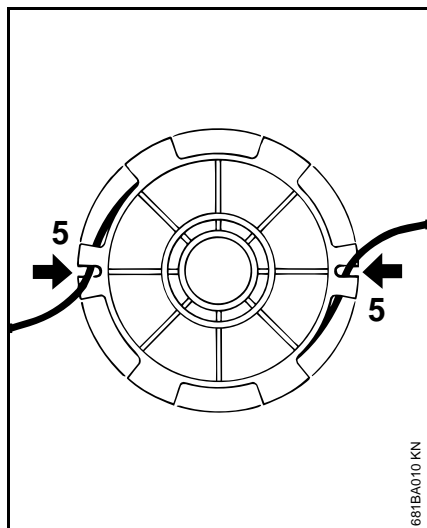
- Abra la cabeza segadora - sujétela bien firme con una mano y gire la tapa (1) en sentido contrario.
- Desenganche el carrete (2), sáquelo de la cabeza segadora y retire el hilo de nilón restante.

Enrollado del hilo en el carrete

Se puede usar un carrete preenrollado (accesorio especial) en vez del procedimiento siguiente.



- Use hilo de nilón codificado verde de 2,0 mm (0,08 pulg) de diámetro.
- Corte dos trozos de hilo de nilón de 3 m (9 pies 9 pulg) de largo del carrete (accesorio especial).
- Inserte el extremo de cada hilo (3) en los agujeros (4) del carrete.
- Doble los extremos de los hilos por encima del borde de los agujeros para formar un gancho.

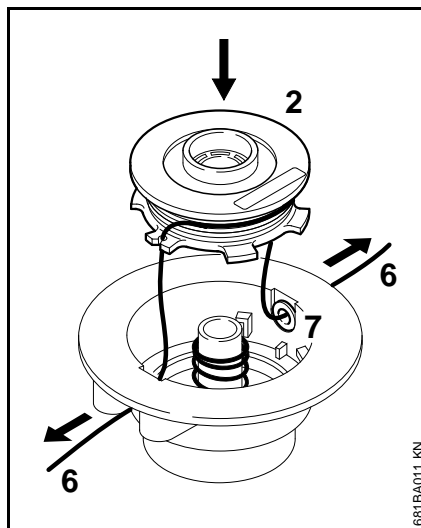


- Enderece los hilos de nilón y enróllelos bien apretados en el carrete - un hilo en cada cámara.
- Enganche los extremos de los hilos de nilón en las muescas (2).

Armado de la cabeza segadora

INDICACIÓN

Verifique que el resorte esté instalado (vea "Montaje de la cabeza segadora").



- Enhebre los extremos de los hilos (6) en los manguitos (7) e inserte el carrete (2) en la cabeza para que encaje en su lugar.

Los hilos de nilón deben desengancharse de las muescas (5) cuando se inserta el carrete en su lugar.

- Tire de los extremos de los hilos hasta que paren.
- Instale la cabeza segadora en la máquina.

Sustitución de cuchillas de corte

STIHL PolyCut

Revise siempre la cabeza segadora en busca de desgaste antes de instalar las cuchillas de corte nuevas.

! ADVERTENCIA

Si hay señales de desgaste serio, sustituya la cabeza segadora completa.

Las cuchillas de termoplástico se denominan "cuchillas" en el texto siguiente.

Se proveen instrucciones ilustradas para la sustitución de cuchillas en la cabeza segadora. Guarde las instrucciones de la cabeza segadora en un lugar seguro.

! ADVERTENCIA

Para reducir el riesgo de sufrir lesiones, siempre apague el motor antes de instalar las cuchillas.

- Retire la cabeza segadora.
- Sustituya las cuchillas de la manera mostrada en las instrucciones ilustradas.
- Instale la cabeza segadora en la máquina.

Inspección y mantenimiento por el concesionario

Trabajos de mantenimiento

STIHL recomienda que un concesionario STIHL autorizado efectúe los trabajos de mantenimiento y reparación.

Captador de combustible en el tanque

- Cada año, pida que le sustituyan el captador de combustible en el tanque.

Parachispas en el silenciador y espaciador

Ver "Piezas principales" para ver las posiciones del parachispas y del espaciador.

- Si el motor pierde potencia, haga revisar el chispero del silenciador.
- Revise el espaciador en busca de daños.
- Solicite la sustitución de un espaciador averiado de inmediato.

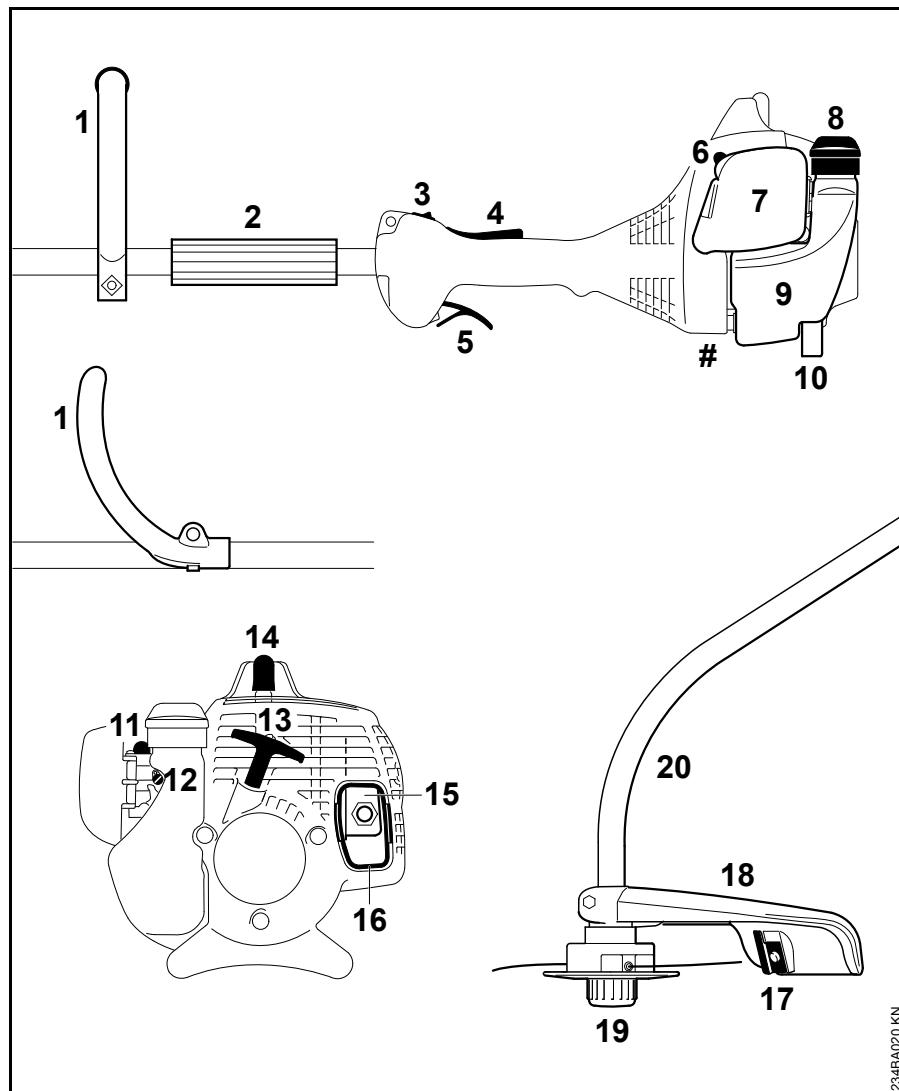
Información para mantenimiento

Los intervalos que se indican a continuación corresponden únicamente a condiciones normales de funcionamiento. Si la jornada diaria es más prolongada que lo normal, o bien si las condiciones son extremas (zonas con demasiado polvo, etc.), acorte apropiadamente los intervalos indicados.		antes de comenzar el trabajo	después de completar el trabajo o diariamente	después de cada parada para cargar combustible	semanalmente	mensualmente	cada 12 meses	si hay problemas	si presenta daños	según se requiera
Máquina completa	Inspección visual (condición general, fugas)	X		X						
	Limpiar		X							
Mango de control	Comprobar el funcionamiento	X		X						
Filtro de aire	Limpiar							X		X
	Reemplazar								X	
Bomba de combustible manual (si la tiene)	Revisar	X								
	Solicitar al concesionario de servicio su reparación ¹⁾								X	
Recogedor en depósito de combustible	Solicitar al concesionario de servicio su revisión ¹⁾							X		
	Solicitar al concesionario de servicio su sustitución ¹⁾					X			X	X
Depósito de combustible	Limpiar							X		X
Carburador	Comprobar el ajuste de marcha en vacío – el accesorio de corte no debe girar	X		X						
	Ajustar la marcha en vacío									X
Bujía	Ajustar la distancia entre electrodos							X		
	Cambiar después de aprox. cada 100 horas de funcionamiento									
Entradas de enfriamiento	Inspección visual		X							
	Limpiar									X
Parachispas en el silenciador	Solicitar al concesionario de servicio su revisión ¹⁾		X					X		
	Solicitar al concesionario de servicio su limpieza o sustitución ¹⁾								X	X

Los intervalos que se indican a continuación corresponden únicamente a condiciones normales de funcionamiento. Si la jornada diaria es más prolongada que lo normal, o bien si las condiciones son extremas (zonas con demasiado polvo, etc.), acorte apropiadamente los intervalos indicados.		antes de comenzar el trabajo	después de completar el trabajo o diariamente	después de cada parada para cargar combustible	semanalmente	mensualmente	cada 12 meses	si hay problemas	si presenta daños	según se requiera
Espaciador	Revisar	X								
	Solicitar al concesionario de servicio su sustitución ¹⁾	X						X		
Todos los tornillos y tuercas accesibles (salvo los tornillos de ajuste)	Volver a apretar									X
Accesorio de corte	Inspección visual	X		X						
	Reemplazar								X	
	Revisar el apriete	X		X						
Etiquetas de seguridad	Reemplazar								X	

¹⁾ STIHL recomienda acudir a un concesionario STIHL autorizado para servicio.

Componentes importantes



- 1 Mango tórico
- 2 Manguito
- 3 Interruptor de parada
- 4 Bloqueo de gatillo de aceleración
- 5 Gatillo de aceleración
- 6 Palanca del estrangulador
- 7 Cubierta del filtro de aire
- 8 Tapa de llenado de combustible
- 9 Tanque de combustible
- 10 Apoyo de la máquina
- 11 Bomba de combustible manual
- 12 Tornillos de ajuste del carburador
- 13 Mango de arranque
- 14 Casquillo de bujía
- 15 Silenciador (con chispero)
- 16 Espaciador
- 17 Cuchilla limitadora del hilo
- 18 Deflector
- 19 Cabeza segadora
- 20 Tubo de mando
- # Número de serie

234BA020 KN

Definiciones

- 1 Mango tórico**
Para facilitar el control de la máquina durante el proceso de corte.
- 2 Manguito**
Mantiene un espacio mínimo entre el mango tórico y el mango de control.
- 3 Interruptor de parada**
Apaga el sistema de encendido del motor y para el motor.
- 4 Bloqueo de gatillo de aceleración**
Debe ser oprimido antes de poder activar el gatillo de aceleración.
- 5 Gatillo de aceleración**
Regula la velocidad del motor.
- 6 Palanca del estrangulador**
Facilita el arranque del motor al enriquecer la mezcla.
- 7 Cubierta del filtro de aire**
Cubre y protege el elemento del filtro de aire.
- 8 Tapa de llenado de combustible**
Para tapar el tanque de combustible.
- 9 Tanque de combustible**
Contiene la mezcla de combustible y aceite.
- 10 Apoyo de la máquina**
Para apoyar la máquina en el suelo.
- 11 Bomba de combustible manual**
Suministra alimentación adicional de combustible para el arranque en frío.

- 12 Tornillos de ajuste del carburador**
Para afinar el carburador.
- 13 Mango de arranque**
El mango del arrancador usado para arrancar el motor.
- 14 Casquillo de bujía**
El casquillo de la bujía conecta la bujía al cable de encendido.
- 15 Silenciador (con chispero)**
El silenciador reduce los ruidos del tubo de escape y desvía los gases de escape lejos del operador. El chispero está diseñado para reducir el riesgo de incendios.
- 16 Espaciador**
Diseñado para reducir el riesgo de quemaduras y incendios.
- 17 Cuchilla limitadora del hilo**
Cuchilla metálica en el deflector que mantiene el hilo de la cabeza segadora a un largo adecuado.
- 18 Deflector**
El deflector tiene por objeto reducir el riesgo de lesiones causadas por objetos extraños arrojados contra el operador por el accesorio de corte y por el contacto con el accesorio de corte.
- 19 Cabeza segadora**
El accesorio de corte, es decir la cabeza segadora, se usa para diferentes propósitos.
- 20 Tubo de mando**
Encierra y protege el eje impulsor entre el motor y el mecanismo.

Especificaciones

EPA / CEPA

El período de cumplimiento de emisiones indicado en la etiqueta de cumplimiento de emisiones es la cantidad de horas de funcionamiento para la cual la máquina ha demostrado la conformidad con los requerimientos de emisiones del Gobierno federal de los EE.UU.

Categoría

A = 300 horas

B = 125 horas

C = 50 horas

CARB

El período de cumplimiento de emisiones empleado en la etiqueta del índice de aire CARB tiene las siguientes definiciones:

Extended = 300 horas

Intermediate = 125 horas

Moderate = 50 horas

Motor

Motor de un cilindro, dos tiempos

FS 38

Cilindrada:	27,2 cm ³ (1,66 pulg ³)
Diámetro:	34 mm (1,34 pulg)
Carrera:	30 mm (1,18 pulg)
Potencia del motor según ISO 8893:	0,65 kW (0,9 bhp) a 7.000 rpm
Marcha en vacío:	2800 r/min
Velocidad de corte (nominal):	9.500 r/min
Velocidad máx. de eje de salida (accesorio de corte)	9.500 r/min

FS 38 2-MIX:

Cilindrada:	27,2 cm ³ (1,66 pulg ³)
Diámetro:	34 mm (1,34 pulg)
Carrera:	30 mm (1,18 pulg)
Potencia del motor según ISO 8893:	0,65 kW (0,9 bhp) a 7.000 rpm
Marcha en vacío:	2800 r/min
Velocidad de corte (nominal):	9.500 r/min
Velocidad máx. de eje de salida (accesorio de corte)	9.500 r/min

Sistema de encendido

Encendido por magneto electrónico

Bujía (tipo resistencia):	Bosch WSR 6 F, NGK BPMR 7 A
Distancia entre electrodos:	0,5 mm (0,02 pulg)

Sistema de combustible

Carburador de diafragma de todas posiciones con bomba de combustible integral

Capacidad del tanque de combustible: 0,33 l (11,2 oz fl)

Peso

Seco, sin accesorio de corte y deflector

	4,1 kg (9,0 lb)
FS 38:	
	4,2 kg (9,3 lb)
FS 38 2-MIX:	

Accesorios especiales

Comuníquese con su concesionario STIHL para información acerca de accesorios especiales que pueden estar disponibles para su producto.

Información de reparación

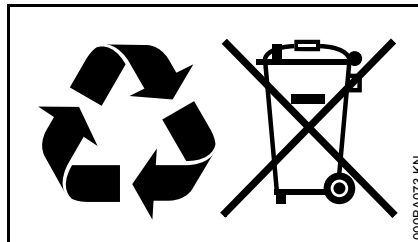
Los usuarios de esta máquina deben efectuar únicamente los trabajos de mantenimiento descritos en este manual. STIHL recomienda que un concesionario de servicio STIHL efectúe los demás trabajos de reparación.

Los reclamos de garantía presentados después de realizadas las reparaciones serán aceptados únicamente si las mismas fueron ejecutadas por un concesionario de servicio autorizado STIHL utilizando piezas de repuesto originales de STIHL.

Los repuestos originales STIHL se identifican por medio del número de pieza STIHL, el logotipo **STIHL**® y el símbolo de piezas STIHL **G**®. El símbolo aparece solo en algunas piezas pequeñas.

Desecho

Respete todas las leyes y los reglamentos sobre eliminación de desechos que correspondan a su país.



No se debe botar los aparatos STIHL en el basurero. Lleve el producto, los accesorios y el embalaje a un vertedero autorizado para reciclarlos y contribuir al cuidado del medio ambiente.

Comuníquese con un concesionario de servicio de STIHL para obtener la información más actualizada sobre la eliminación de desechos.

Declaración de garantía de STIHL Incorporated sobre sistemas de control de emisiones según normas Federales

No para California

Sus derechos y obligaciones de garantía

La Agencia de Protección del Medio Ambiente (EPA) de los EE.UU. y STIHL Incorporated se complacen en explicarle la garantía del sistema de control de emisiones instalado en el motor de su equipo. En los EE.UU., los nuevos motores pequeños para equipos de uso fuera de carretera modelos 1997 y posteriores deben estar diseñados, construidos y equipados, al tiempo de la venta, de conformidad con los reglamentos de la EPA de los EE.UU. para los motores pequeños de uso fuera de carretera. El motor del equipo debe carecer de defectos en el material y la fabricación que puedan causar el incumplimiento de las normas de la EPA de los EE.UU. durante los primeros dos años de uso del motor a partir de la fecha de compra por el último comprador.

STIHL Incorporated debe garantizar el sistema de control de emisiones en el motor pequeño para uso fuera de carretera por el intervalo mencionado más arriba, siempre que dicho motor no haya estado sujeto a maltrato, negligencia o cuidado inapropiado.

El sistema de control de emisiones de su máquina incluye piezas tales como el carburador y el sistema de encendido. Además puede incluir mangueras, conectores y otros conjuntos asociados con el control de emisiones.

En los casos de existir una condición amparada bajo garantía, STIHL Incorporated reparará el motor pequeño para equipo de uso fuera de carretera sin costo alguno, incluido el diagnóstico (si el trabajo de diagnóstico fue realizado por un concesionario autorizado), las piezas y la mano de obra.

Cobertura de garantía del fabricante

En los EE.UU., los motores pequeños para equipos de uso fuera de carretera modelos 1997 y posteriores también están garantizados por dos años. En el caso de encontrarse defectos en cualquiera de las piezas del motor relacionadas con el sistema de control de emisiones, la pieza será reparada o sustituida por STIHL Incorporated sin costo alguno.

Responsabilidades del usuario relativas a la garantía

Como propietario de motor pequeño para equipo de uso fuera de carretera, usted tiene la responsabilidad de realizar el mantenimiento requerido descrito en su manual de instrucciones. STIHL Incorporated le recomienda guardar todos los recibos comprobantes de los trabajos de mantenimiento hechos a su motor pequeño para equipo de uso fuera de carretera, pero STIHL Incorporated no puede negar garantía basado en el solo hecho de faltar los

recibos o del incumplimiento del propietario de realizar todos los trabajos de mantenimiento programados.

El uso de cualquier pieza de repuesto o servicio cuyo comportamiento y durabilidad sean equivalentes está permitido en trabajos de mantenimiento o reparación no contemplados en la garantía, y no reducirá las obligaciones de la garantía del fabricante del motor.

Sin embargo, como propietario del motor pequeño para equipo de uso fuera de carretera usted debe ser consciente de que STIHL Incorporated puede negarle cobertura de garantía si dicho motor o una pieza del mismo ha fallado debido a maltrato, descuido, mantenimiento inadecuado o modificaciones no autorizadas.

Usted es responsable de llevar el motor pequeño para equipo de uso fuera de carretera a un centro de servicio STIHL tan pronto surja el problema. Las reparaciones bajo garantía serán realizadas en un tiempo razonable, sin exceder de 30 días.

Ante cualquier duda respecto a sus derechos y responsabilidades bajo esta garantía, sírvase contactar al representante de atención al cliente STIHL llamando al 1-800-467-8445, o si lo prefiere puede escribir a

STIHL Inc.,
536 Viking Drive, P.O. Box 2015,
Virginia Beach, VA 23450-2015 EE.UU.

www.stihlusa.com

Cobertura por STIHL Incorporated

STIHL Incorporated garantiza al último comprador y a cada comprador subsiguiente que el motor pequeño para

equipo de uso fuera de carretera está diseñado, construido y equipado, al tiempo de la venta, de conformidad con todos los reglamentos aplicables. Además, STIHL Incorporated garantiza al comprador inicial y a cada comprador subsiguiente que el motor está libre de defectos en el material y fabricación que puedan causar el incumplimiento de los reglamentos aplicables durante un período de dos años.

Período de garantía

El período de garantía comienza en la fecha en que el motor del equipo utilitario es entregado a usted y usted firma y remite la tarjeta de garantía a STIHL.

Si cualquier componente relacionado con el sistema de control de emisiones está defectuoso, el mismo será sustituido por STIHL Incorporated sin costo alguno para el propietario. Cualquier pieza garantizada cuyo reemplazo no está programado como mantenimiento requerido, o que debe recibir únicamente inspección regular en el sentido de "reparar o sustituir según sea necesario", estará garantizada por el período de garantía. Cualquier pieza cuyo reemplazo está programado como mantenimiento requerido estará garantizada por el intervalo hasta el primer punto de reemplazo programado para esa pieza.

Diagnóstico

Como propietario, a usted no se le debe cobrar la mano de obra por los diagnósticos que determinen que una pieza garantizada está defectuosa. No obstante, si usted reclama garantía para un componente y se comprueba que la

máquina no está defectuosa, STIHL Incorporated le cobrará el costo de la prueba del sistema de control de emisiones. El trabajo de diagnóstico mecánico se realiza en un centro de servicio autorizado por STIHL. La prueba del sistema de control de emisiones se realiza ya sea en la fábrica de STIHL Incorporated o en un laboratorio de ensayos independiente.

Trabajo bajo garantía

STIHL Incorporated reparará los defectos amparados por la garantía en cualquier estación de garantía o centro de servicio autorizado por STIHL. Todo trabajo de este tipo se hará gratis para el propietario siempre que se determine que la pieza cubierta por la garantía está defectuosa.

Se puede usar cualquier pieza de repuesto aprobada por el fabricante o equivalente en las piezas relacionadas con el sistema de control de emisiones, y debe ser suministrada gratis al propietario. STIHL Incorporated es responsable por daños a otros componentes del motor causados por la falla de una pieza garantizada que todavía está bajo garantía.

La lista siguiente define específicamente las piezas garantizadas y relacionadas con las emisiones:

- Filtro de aire
- Carburador (si corresponde)
- Bomba de combustible
- Estrangulador (sistema de enriquecimiento de arranque en frío) (si corresponde)

- Varillajes de control
- Múltiple de admisión
- Sistema de encendido por magneto o electrónico (Módulo de encendido o unidad de control electrónica)
- Volante
- Bujía
- Válvula de inyección (si corresponde)
- Bomba de inyección (si corresponde)
- Carcasa del acelerador (si corresponde)
- Cilindro
- Silenciador
- Convertidor catalítico (si lo tiene)
- Tanque de combustible
- Tapa de tanque de combustible
- Línea de combustible
- Adaptadores de línea de combustible
- Abrazaderas
- Sujetadores/pernos

Dónde presentar el reclamo para servicio bajo garantía

Lleve el producto a cualquier centro de servicio autorizado por STIHL y presente la tarjeta de garantía firmada.

Requerimientos de mantenimiento

Las instrucciones presentadas en este manual se basan en la aplicación de la mezcla recomendada para motores de 2 tiempos (vea también la instrucción "Combustible"). Las discrepancias de

estas recomendaciones con respecto a la calidad y la proporción de la mezcla de combustible y aceite pueden exigir intervalos de mantenimiento más cortos.

Limitaciones

Esta garantía de los sistemas de control de emisiones no cubrirá ninguno de los puntos siguientes:

- reparación o sustitución requerida debido a maltrato, negligencia o falta del mantenimiento requerido,
 - reparaciones mal hechas o sustituciones contrarias a las especificaciones de STIHL Incorporated que afecten desfavorablemente el funcionamiento y/o la durabilidad, y las alteraciones o modificaciones no recomendadas o aprobadas por escrito por STIHL Incorporated,
- y
- la sustitución de piezas y otros servicios y ajustes necesarios para el mantenimiento requerido en y después del primer punto de reemplazo programado.

Declaración de garantía de STIHL Incorporated sobre el control de emisiones de gases de escape y emisiones por evaporación para el Estado de California

Solamente para California

Sus derechos y obligaciones de garantía

El Consejo de Recursos del Aire del Estado de California (CARB) y STIHL Incorporated se complacen en explicarle la Garantía del sistema de control de emisiones instalado en el motor de su equipo de uso fuera de carretera para el año 2013 y posteriores.

En California, el equipo nuevo que tiene motores pequeños para uso fuera de carretera debe estar diseñado, construido y equipado de conformidad con las rigurosas normas de contaminación del aire del estado. STIHL Incorporated debe garantizar el sistema de control de emisiones en el motor pequeño para uso fuera de carretera por el intervalo mencionado más arriba, siempre que dicho motor pequeño para uso fuera de carretera no haya estado sujeto a maltrato, negligencia o cuidado inapropiado.

Su sistema de control de emisiones puede incluir piezas tales como el carburador y el sistema de inyección de combustible, el sistema de encendido y el convertidor catalítico. Además puede incluir mangueras, correas, conectores y otros conjuntos asociados con el control de emisiones.

En los casos de existir una condición amparada bajo garantía, STIHL Incorporated reparará el motor pequeño para equipo de uso fuera de carretera sin costo alguno, incluido el diagnóstico, las piezas y la mano de obra.

Responsabilidades del fabricante relativas a la garantía

El sistema de control de emisiones tiene una garantía de dos años en California. En el caso de encontrarse defectos en cualquiera de los componentes del motor relacionados con el sistema de control de emisiones, el mismo será reparado o sustituido por STIHL Incorporated sin costo alguno.

Responsabilidades del propietario relativas a la garantía

Como propietario de motor pequeño para equipo de uso fuera de carretera, usted tiene la responsabilidad de realizar el mantenimiento requerido descrito en su manual de instrucciones. STIHL Incorporated le recomienda guardar todos los recibos comprobantes de los trabajos de mantenimiento hechos a su motor pequeño para equipo de uso fuera de carretera, pero STIHL Incorporated no puede negar garantía basado en el solo hecho de faltar los recibos o de su incumplimiento de realizar todos los trabajos de mantenimiento programados.

Sin embargo, como propietario del motor pequeño para equipo de uso fuera de carretera usted debe ser consciente de que STIHL Incorporated puede negarle cobertura de garantía si dicho motor o un componente del mismo

ha fallado debido a maltrato, descuido, mantenimiento inadecuado o modificaciones no autorizadas.

Usted es responsable de llevar el motor pequeño para equipo de uso fuera de carretera a un concesionario de servicio STIHL tan pronto surja el problema. Las reparaciones bajo garantía deben realizarse en un tiempo razonable, sin exceder de 30 días. Ante cualquier duda respecto a sus derechos y responsabilidades bajo esta garantía, sírvase contactar al representante de atención al cliente STIHL llamando al 1-800-467-8445, o si lo prefiere puede escribir a

STIHL Inc., 536 Viking Drive,
P.O. Box 2015,
Virginia Beach, VA 23450-2015 EE.UU.

www.stihlusa.com

Cobertura por STIHL Incorporated

STIHL Incorporated garantiza al último comprador y a cada comprador subsiguiente que el motor pequeño para equipo de uso fuera de carretera está diseñado, construido y equipado, al tiempo de la venta, de conformidad con todos los reglamentos acerca de emisiones aplicables.

Además, STIHL Incorporated garantiza al comprador inicial y a cada comprador subsiguiente que el motor está libre de defectos en el material y fabricación que puedan causar el incumplimiento de los reglamentos acerca de emisiones aplicables durante un período de dos años.

Período de garantía contra defectos

Los períodos de garantía comenzarán el día en que el motor de equipo utilitario es comprado por el comprador inicial. Si cualquier componente relacionado con el sistema de control de emisiones está defectuoso, el mismo será sustituido por STIHL Incorporated sin costo alguno para el propietario.

No se permite usar componentes adicionales o modificados que no hayan sido eximidos por el Consejo de Recursos del Aire (CARB). El uso de cualquier componente adicional o modificado no eximido será motivo para la denegación del reclamo bajo garantía. STIHL Incorporated no es responsable por las fallas de los componentes garantizados causadas por el uso de un componente adicional o modificado no eximido.

La garantía de los componentes relacionados con el control de emisiones se interpretará de la manera siguiente:

1 Cualquier componente garantizado cuyo reemplazo no está programado como mantenimiento requerido en las instrucciones escritas requeridas en la Lista de Piezas bajo la Garantía de Control de Emisiones (vea más abajo) debe garantizarse por el período de garantía definido en la subsección COBERTURA POR STIHL INCORPORATED, vea más arriba. Si uno de estos componentes falla durante el período de garantía, el fabricante debe reparar o sustituir el mismo de acuerdo con la

subsección (4) más abajo. Un componente reparado o sustituido bajo la garantía debe garantizarse durante el resto del período de garantía.

- 2** Cualquier componente garantizado que solamente debe inspeccionarse periódicamente de acuerdo con las instrucciones escritas requeridas en la Lista de Piezas bajo la Garantía de Control de Emisiones (vea más abajo) debe garantizarse por el período de garantía definido en la subsección COBERTURA POR STIHL INCORPORATED, vea más arriba. Una declaración en las instrucciones escritas tal como "reparar o sustituir según sea necesario" no acortará el período de cobertura de garantía. Un componente de este tipo reparado o sustituido bajo la garantía debe garantizarse durante el resto del período de garantía.
- 3** Cualquier componente garantizado que debe sustituirse como un elemento de mantenimiento requerido en las instrucciones escritas requeridas por la lista de piezas bajo la garantía de control de emisiones (vea más abajo) debe garantizarse por el intervalo antes del primer punto de sustitución programado para este componente. Si el componente falla antes del primer punto de sustitución programado, el fabricante del motor debe reparar o sustituir el mismo de acuerdo con la subsección (4) más abajo. Un componente de este tipo reparado o sustituido bajo la

garantía debe garantizarse durante el resto del período de garantía antes del primer punto de sustitución programado para el componente.

- 4** La reparación o sustitución de cualquier componente garantizado debe llevarse a cabo en una estación de reparaciones bajo garantía sin costo alguno para el propietario.
- 5** No obstante lo expuesto en la subsección (4) de arriba, los servicios o las reparaciones bajo garantía pueden obtenerse en todos los centros de distribución del fabricante autorizados para dar servicio a los motores en cuestión.
- 6** Al propietario no se le debe cobrar el trabajo del diagnóstico que establece que el componente garantizado es de hecho defectuoso, a condición de que tal trabajo de diagnóstico se realice en una estación de reparaciones bajo garantía.

Trabajo bajo garantía

STIHL Incorporated reparará los defectos amparados por la garantía en cualquier estación de garantía o centro de servicio autorizado por STIHL. Todo trabajo de este tipo se hará gratis para el propietario siempre que se determine que la pieza cubierta por la garantía está defectuosa. Se puede usar cualquier pieza de repuesto aprobada por el fabricante o equivalente para el mantenimiento o la reparación de los componentes relacionados con el sistema de control de emisiones, y la misma debe ser suministrada gratis al

propietario. STIHL Incorporated es responsable por daños a otros componentes del motor causados por la falla de una pieza garantizada que todavía está bajo garantía.

Lista de piezas bajo la garantía de emisiones

Filtro de aire, carburador (si corresponde), bomba de combustible, estrangulador (sistema de enriquecimiento para arranque en frío) (si corresponde), varillajes de control, múltiple de admisión, sistema de encendido por magneto o electrónico (Módulo de encendido o unidad de control electrónica), volante, bujía, válvula de inyección (si corresponde), bomba de inyección (si corresponde), carcasa del acelerador (si corresponde), cilindro, silenciador, convertidor catalítico (si corresponde), tanque de combustible, tapa de combustible, tubería de combustible, adaptadores de tubería de combustible, abrazaderas, fijaciones.

Dónde presentar el reclamo para servicio bajo garantía

Lleve el producto de STIHL a cualquier concesionario de servicio autorizado por STIHL y presente la tarjeta de registro de producto STIHL firmado o la copia impresa del registro electrónico del producto.

Limitaciones

La reparación o la sustitución de cualquier componente garantizado y normalmente abarcado por la garantía se puede excluir de la garantía si STIHL Incorporated demuestra el maltrato, negligencia o mantenimiento incorrecto

del producto de STIHL, y que tal maltrato, negligencia, o mantenimiento incorrecto era la causa directa de la necesidad de reparación o sustitución del componente. A pesar de lo anterior, el ajuste de un componente que tiene un dispositivo limitador instalado en fábrica y funcionando correctamente no perjudicará la cobertura bajo garantía.

Marcas comerciales

Marcas registradas de STIHL

STIHL®

STIHL®



La combinación de colores anaranjado-gris (Números de registro EE.UU. 2,821,860; 3,010,057, 3,010,058, 3,400,477; y 3,400,476)



AUTOCUT®

EASYSTART®

FARM BOSS®

iCademy®

MAGNUM®

MasterWrench Service®

MotoMix®

OILOMATIC®
ROCK BOSS®
STIHL Cutquik®
STIHL DUROMATIC®
STIHL Quickstop®
STIHL ROLLOMATIC®
STIHL WOOD BOSS®
TIMBERSPORTS®
WOOD BOSS®
YARD BOSS®

**Algunos de las marcas comerciales de
STIHL por ley común**



4-MIX™
BioPlus™
Easy2Start™
EasySpool™
ElastoStart™
Ematic™
FixCut™
HT Plus™
IntelliCarb™
Master Control Lever™
Micro™
Pro Mark™

Quad Power™
Quiet Line™
STIHL Arctic™
STIHL Compact™
STIHL HomeScaper Series™
STIHL Interchangeable Attachment Series™
STIHL M-Tronic™
STIHL MiniBoss™
STIHL MotoPlus 4™
STIHL Multi-Cut HomeScaper Series™
Stihl Outfitters™
STIHL PICCO™
STIHL PolyCut™
STIHL PowerSweep™
STIHL Precision Series™
STIHL Protech™
STIHL RAPID™
STIHL SuperCut™
STIHL Territory™
TapAction™
TrimCut™

Esta lista de marcas comerciales está
sujeta a cambios.

Queda terminantemente prohibido todo
uso de estas marcas comerciales sin el
consentimiento expreso por escrito de
ANDREAS STIHL AG & Co. KG,
Waiblingen.

 **WARNING**

The engine exhaust from this product contains chemicals known to the State of California to cause cancer, birth defects or other reproductive harm.

 **ADVERTENCIA**

El gas de escape del motor de esta máquina contiene productos químicos que en el estado de California son considerados como causantes de cáncer, defectos de nacimiento u otros efectos nocivos para los órganos de la reproducción.

0458-234-8621-D

englisch / spanisch USA



www.stihl.com



0458-234-8621-D