



HONDA

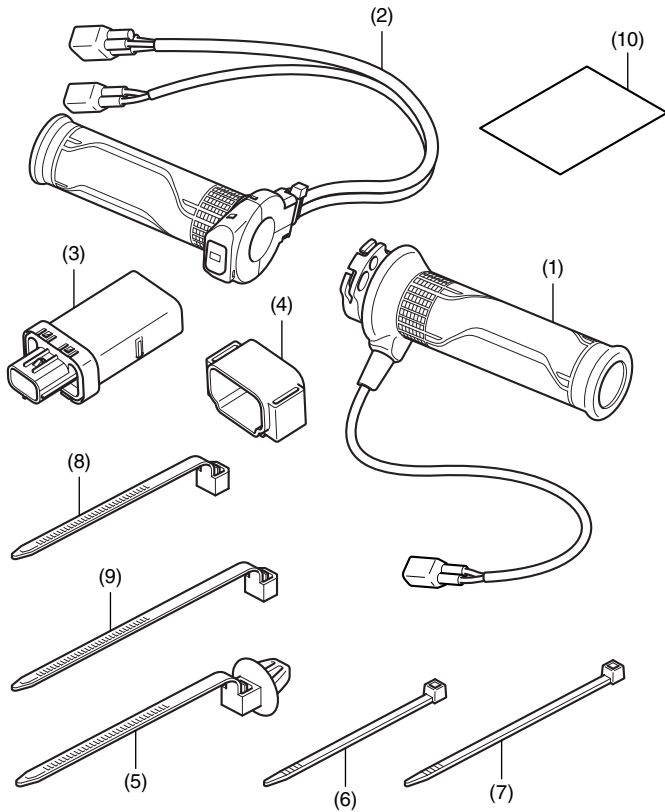
INSTALLATION INSTRUCTIONS

Accessory
HEATED GRIPS
P/N 08T70-MJM-A00

Application
VFR800F/FD
NC700JD

Publication No.
MII 14983
MII 15087
Issue Date
June 2014
July 2014

PARTS LIST



No.	Description	Qty
(1)	Right heated grip	1
(2)	Left heated grip	1
(3)	Heater controller	1
(4)	Suspension	1
(5)	Clip band	6
(6)	Wire tie (narrow/short)	6
(7)	Wire tie (narrow/long)	6
(8)	Wire tie (wide/short)	6
(9)	Wire tie (wide/long)	3
(10)	Installation instruction URL	1

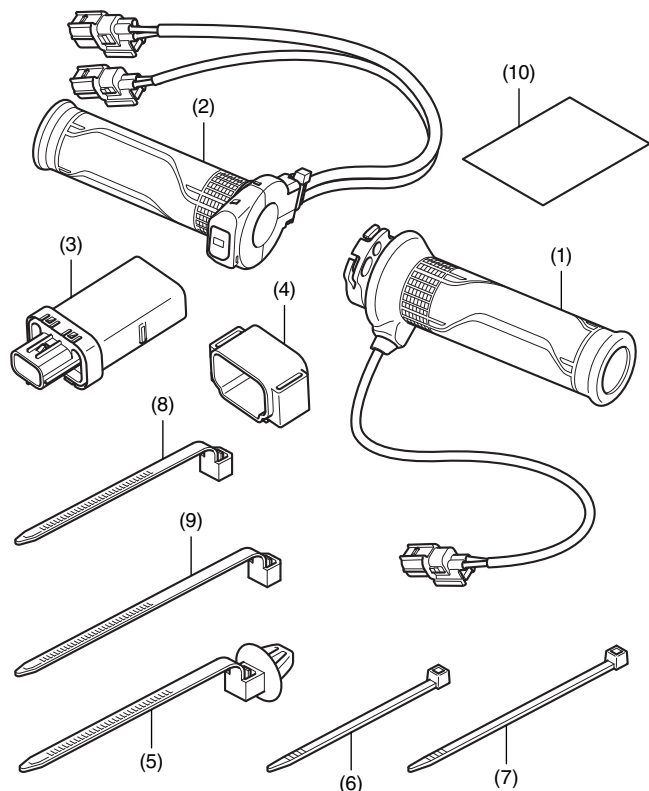
INSTALLATION

This is a combined Installation Instruction manual, refer to the correct Installation Instructions for your model.

VFR800F/FD: Page 2

NC700JD: Page 15

PARTS LIST



No.	Description	Qty
(1)	Right heated grip	1
(2)	Left heated grip	1
(3)	Heater controller	1
(4)	Suspension	1
(5)	Clip band	6
(6)	Wire tie (narrow/short) (Not used.)	6
(7)	Wire tie (narrow/long)	6
(8)	Wire tie (wide/short) (Not used.)	6
(9)	Wire tie (wide/long) (Not used.)	3
(10)	Installation Instruction URL	1

TOOL AND SUPPLIES REQUIRED

- Flat-tip screwdriver
- Side cutters
- Marker
- Ruler
- Electrical tape
- Pro Honda Handgrip Cement
- Thread lock (medium)
- Grease
- Isopropyl alcohol
- Shop towel

TORQUE CHART

Refer to the Service Manual for the torque values of the removed parts.

INSTALLATION

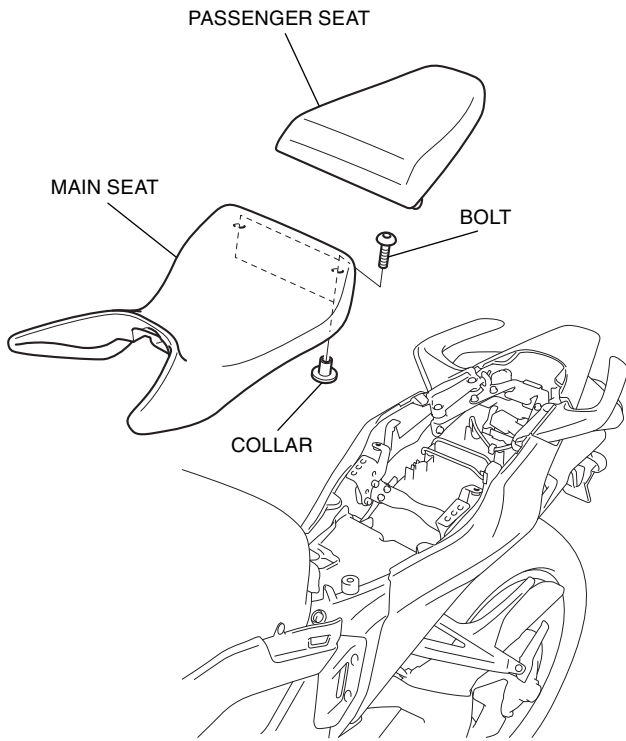
▲ CAUTION

- To prevent burns, allow the engine, exhaust system, radiator, etc., to cool before installing the accessory.

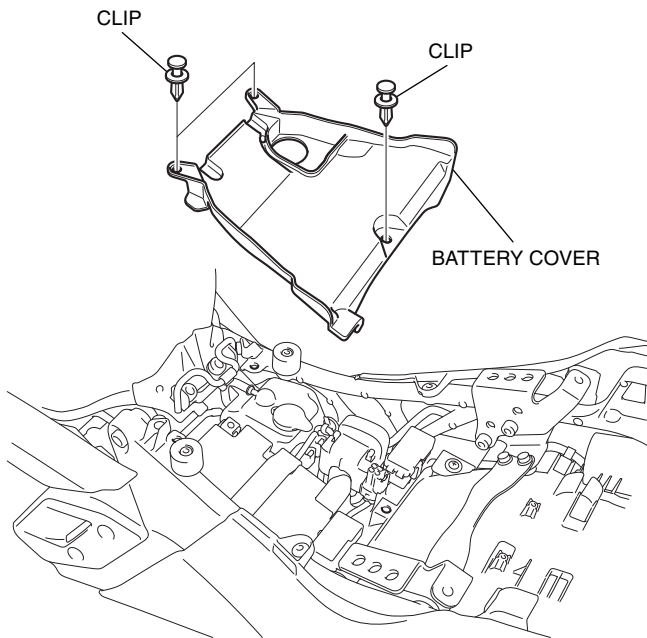
NOTE:

- Disconnect the throttle cable from the right grip as instructed in the Service Manual.
- For secure adhesion of the heated grips, use the recommended adhesive agent (Pro Honda Handgrip Cement) or equivalent.
- Be sure to open and close the throttle to check for smooth operation after installation of the right heated grip.
- Disconnect the negative (-) cable from the battery before installing this accessory.
- The clock memory will be erased when you disconnect the battery. Reset the clock after reconnecting the battery.
- Reinstall the removed parts on the motorcycle and make sure that the wires and harnesses are not pinched.
- Trim the excess ends off the wire ties after attaching them to the wire harnesses. Do not allow the cut part of the wire tie to interfere with another harness or brake hose.
- After the heated grip installation, check all lights for proper operation.

1. Remove the main seat and passenger seat as shown.

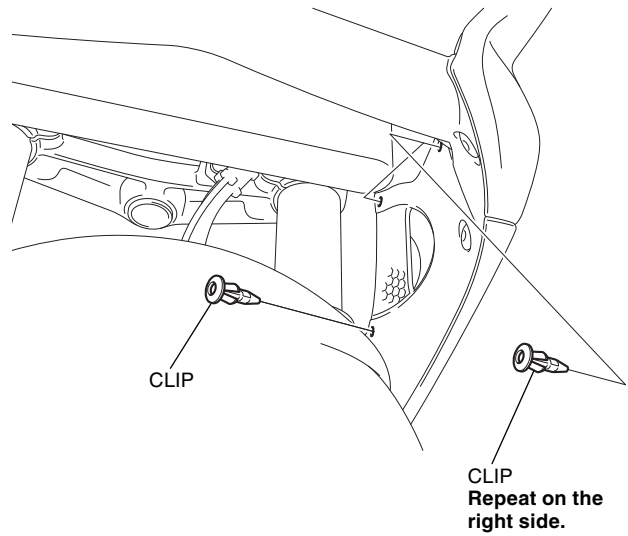


2. Remove the battery cover and disconnect the negative (-) terminal of the battery as shown.



3. Remove the clips as shown.

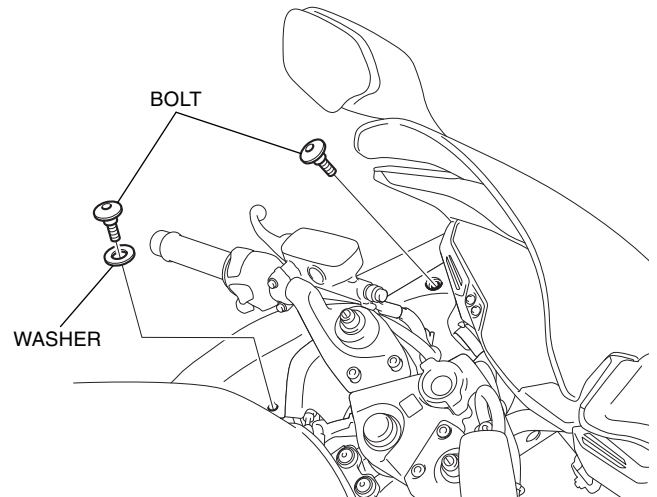
<Left side>



4. Remove the bolts and washer as shown.

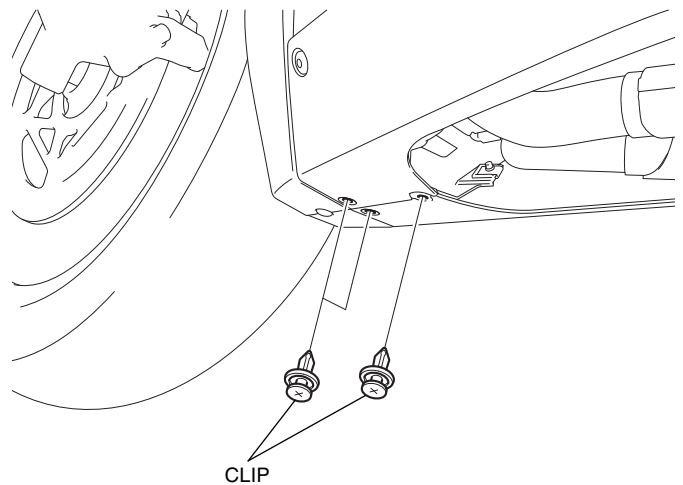
- Repeat on the right side.

<Left side>



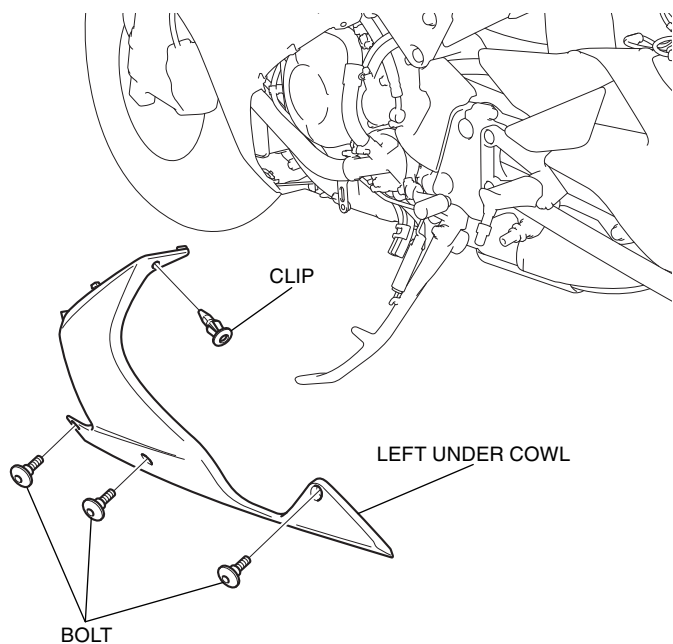
5. Remove the three clips as shown.

<Under side>

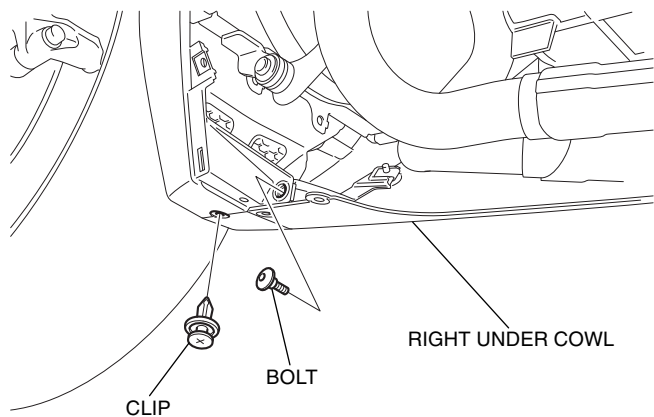


6. Remove the left under cowl as shown.

<Left side>



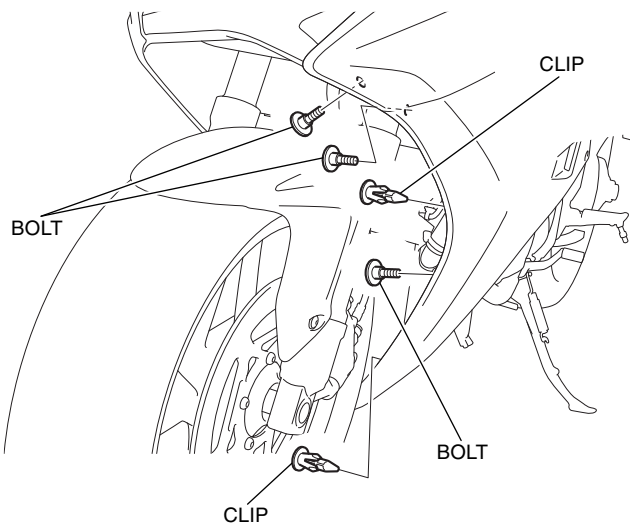
7. Remove the bolt and clip as shown.



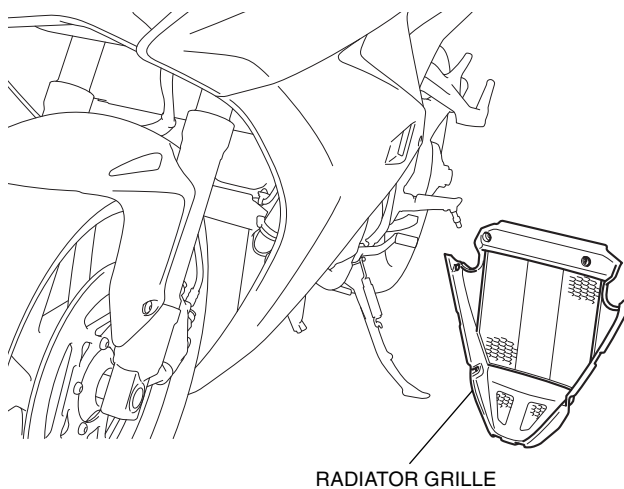
8. Remove the motorcycle's parts as shown.

- Repeat on the right side.

<Left side>



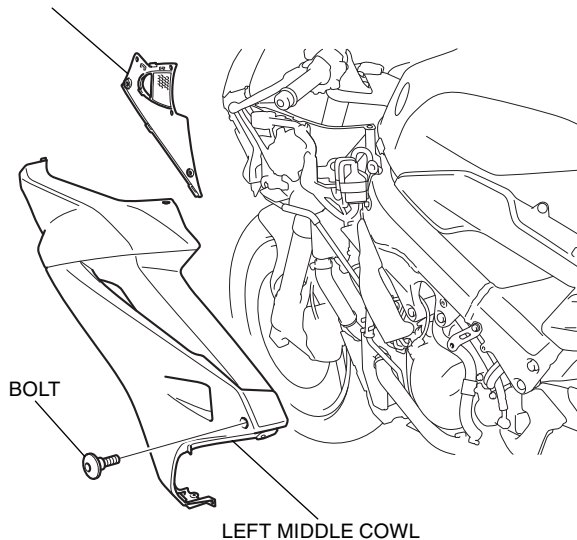
9. Remove the radiator grille as shown.



10. Remove the left inner lower cowl and left middle cowl as shown.

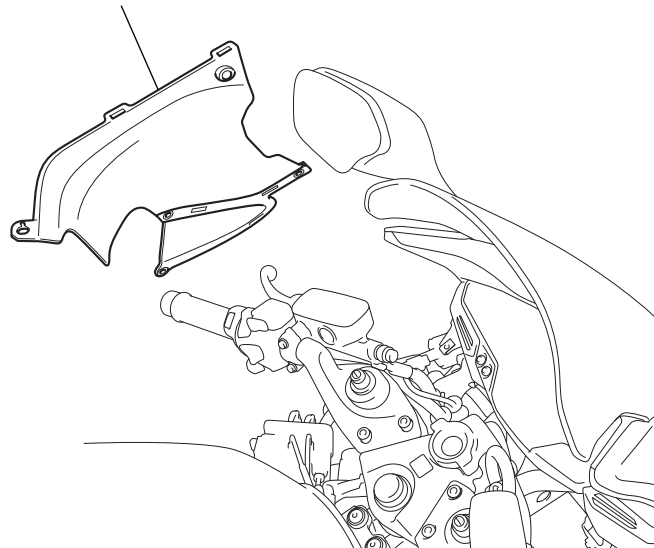
<Left side>

LEFT INNER LOWER COWL



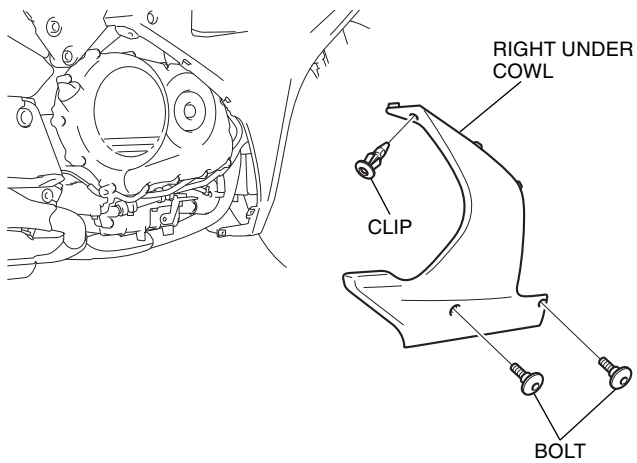
11. Remove the left inner upper cowl as shown.

LEFT INNER UPPER COWL



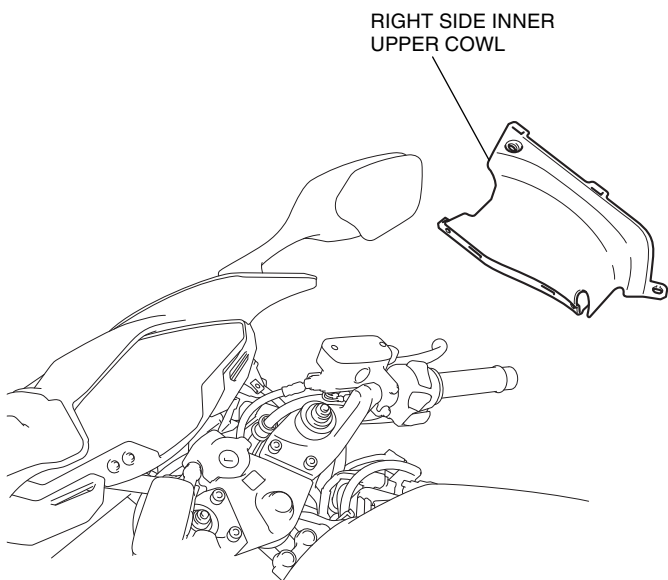
12. Remove the right under cowl as shown.

<Right side>

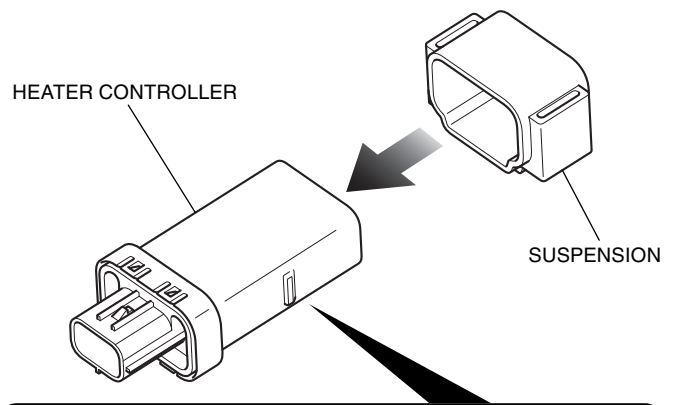


13. Remove the right inner lower cowl and right middle cowl in the same manner.

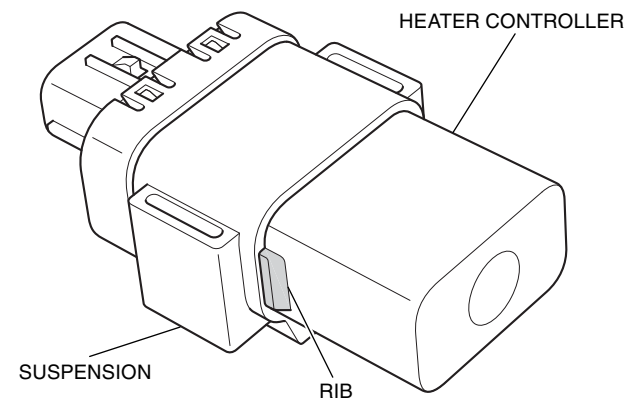
14. Remove the right side inner upper cowl as shown.



15. Install the suspension as shown.

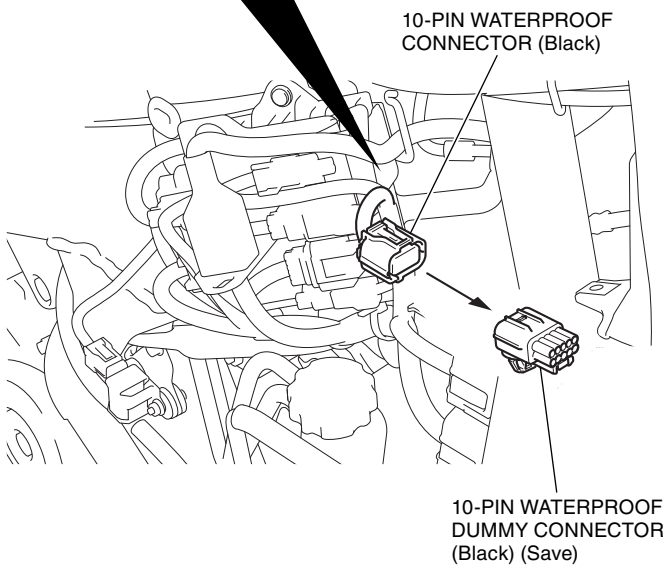
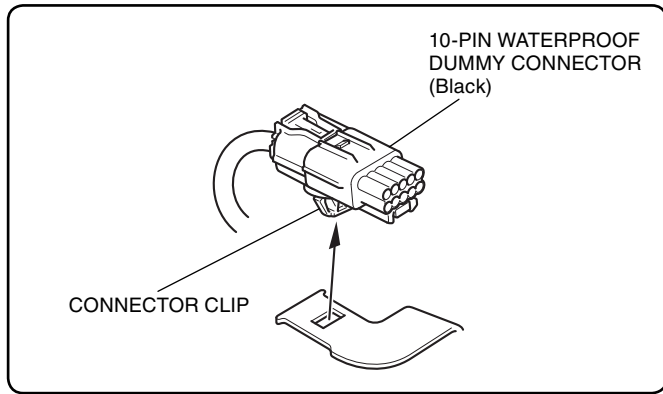


Insert until the end of suspension stops with the rib as shown.

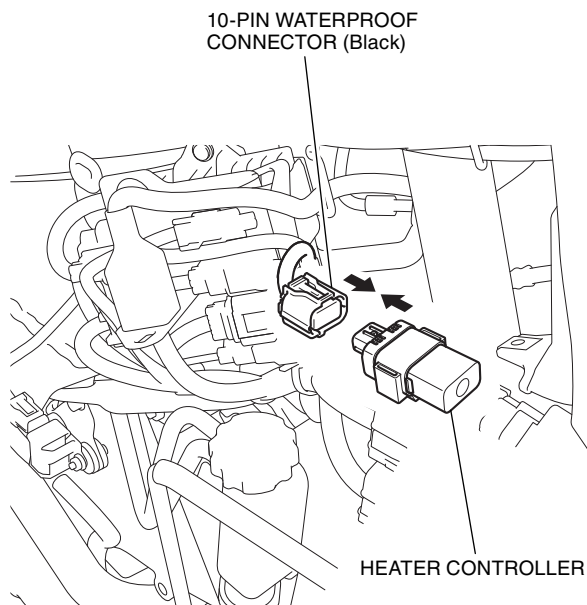


16. Remove the dummy connector as shown.

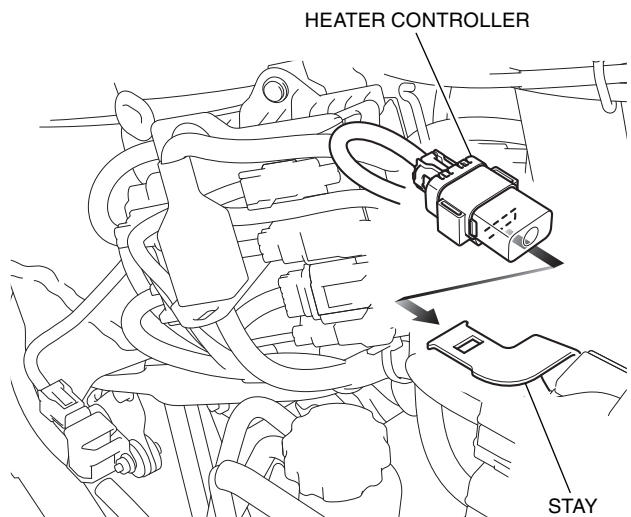
<Right side>



17. Connect the heater controller as shown.



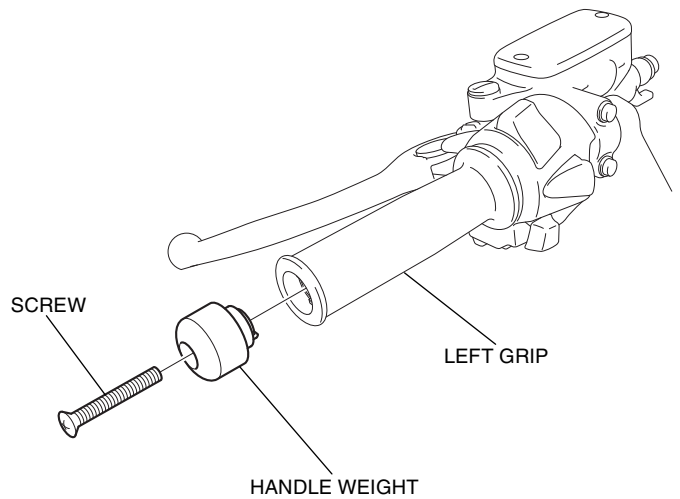
18. Secure the heater controller as shown.



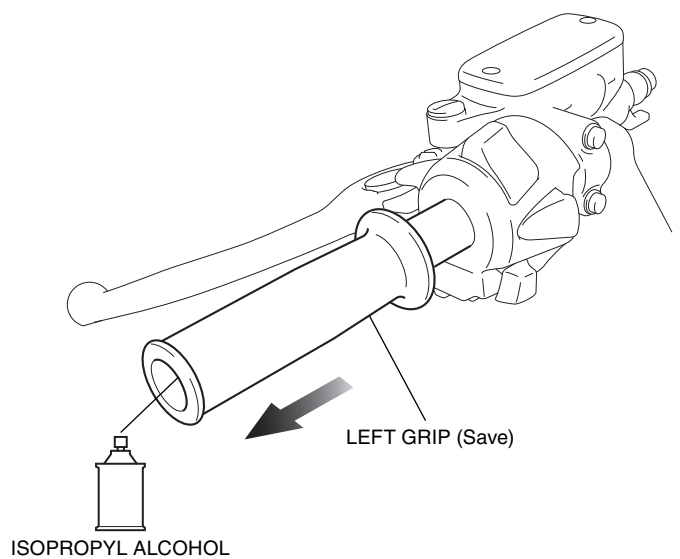
19. Remove the handle weight as shown.

- Repeat on the right side.

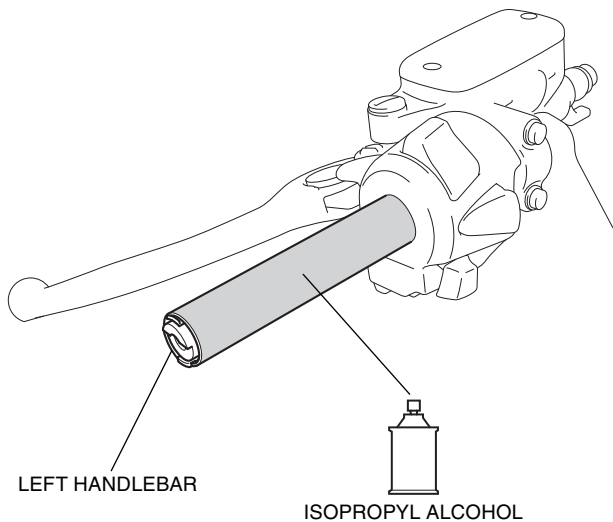
<Left side>



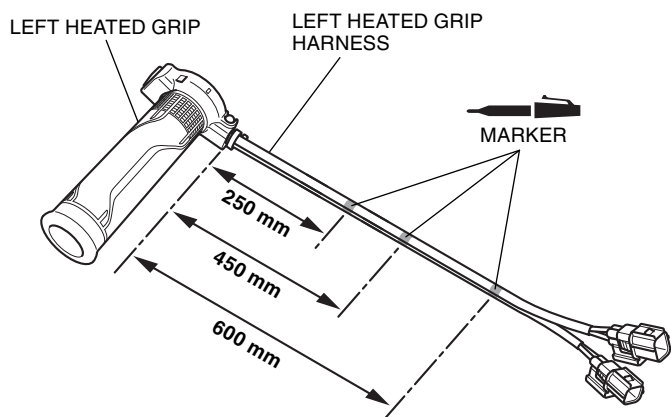
20. Remove the left grip as shown.



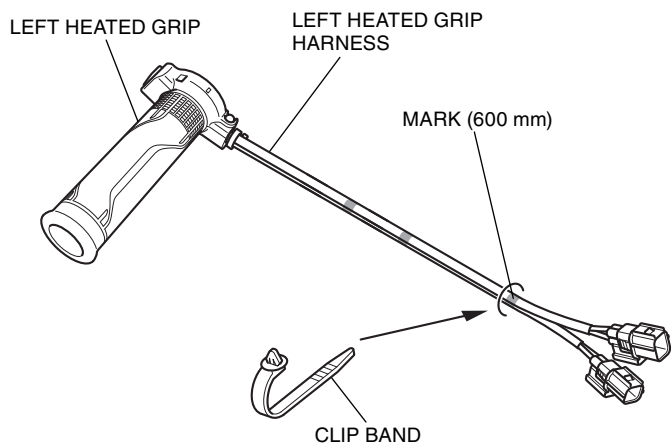
21. Using isopropyl alcohol, remove all traces of adhesive from the left handlebar.



22. Mark the left heated grip harness in the positions shown.

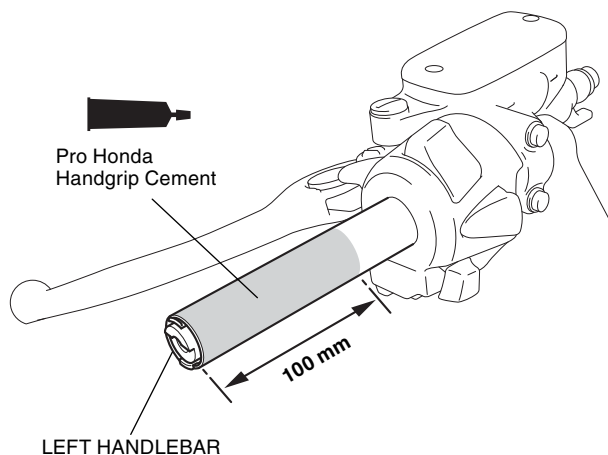


23. Install the clip band on the marked position as shown.

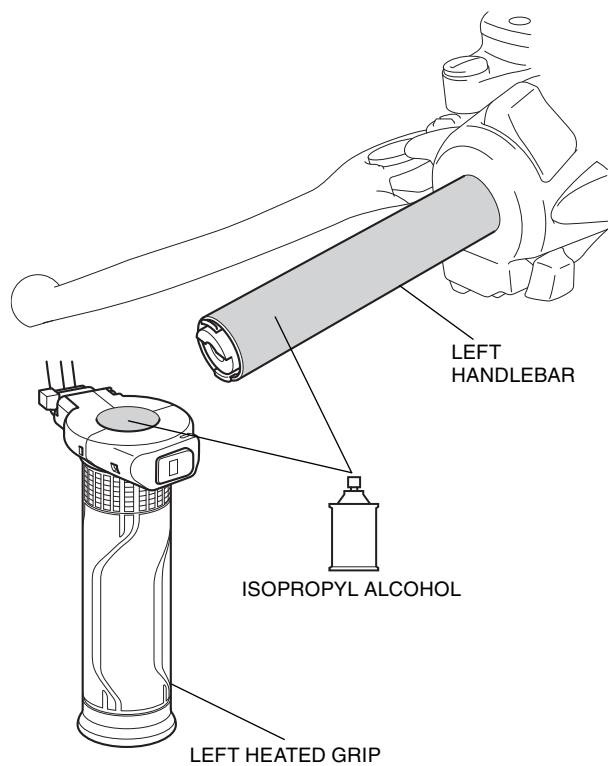


24. Apply Pro Honda Handgrip Cement to the left handlebar as shown.

- Apply evenly to the entire surface of the left handlebar.
- Wait 5 minutes after application before performing Step 25.



25. Spray isopropyl alcohol over the inside of the heated grip and outside of the left handlebar.

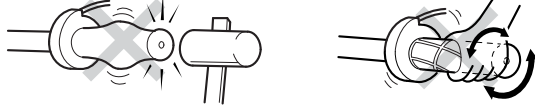


26. Slide the left heated grip onto the left handlebar as indicated.

- Use an assistant to steady the motorcycle while installing the grips.
- Wipe up excess adhesive at once.

NOTICE

• Do not tap on the grip end with a hammer and do not twist the heated grip to install it onto the handlebar, as it can damage the heating element.



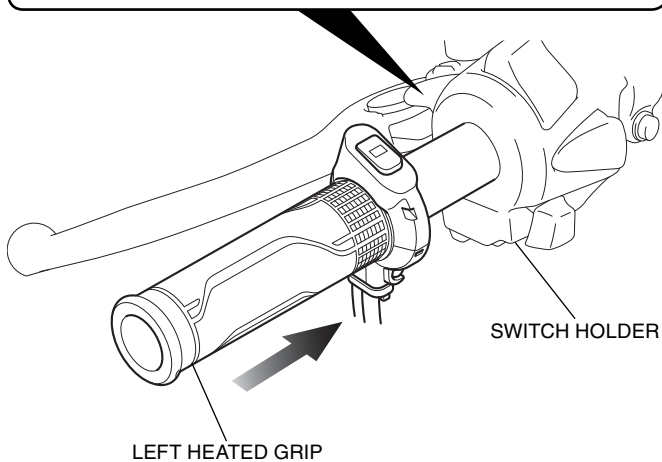
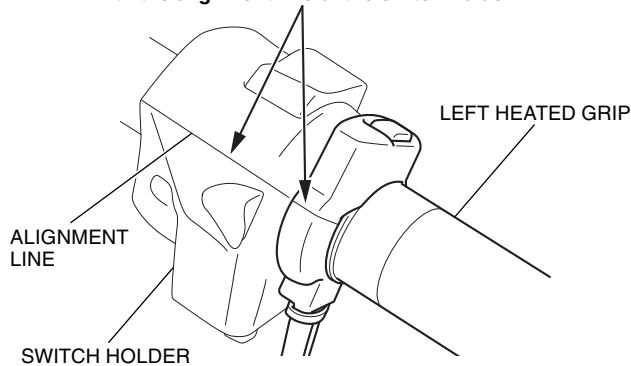
• Avoid putting pressure on the switch part when inserting the left heated grip. There is a possibility that the switch part will break. Also, install so that there is no gap with the switch holder.



- If the grip gets stuck halfway during installation, apply isopropyl alcohol to the gap between the heated grip. Do not try to remove the heated grip using force or a screwdriver, etc. Damage to the heated grip wire can result.
- Do not turn on the heater switch for at least one hour after attachment.

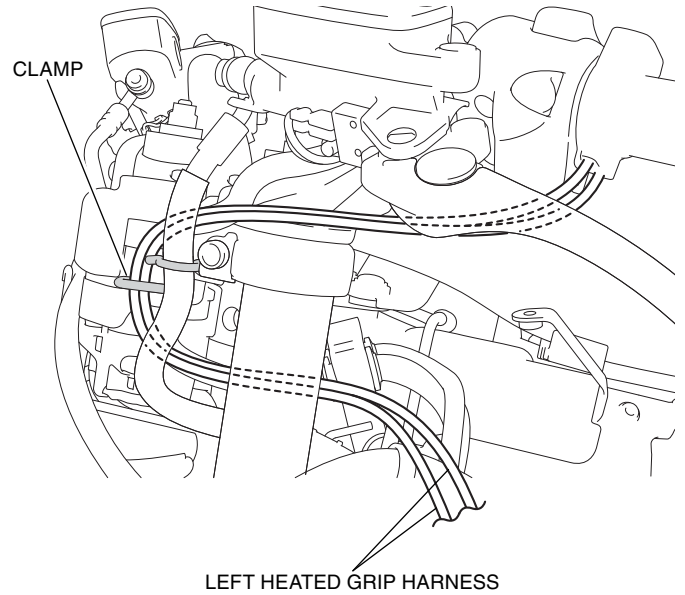
Insert until there is contact with the switch holder, then align to the indicated position.

Align the alignment line of the left heated grip with the alignment line of the switch holder.

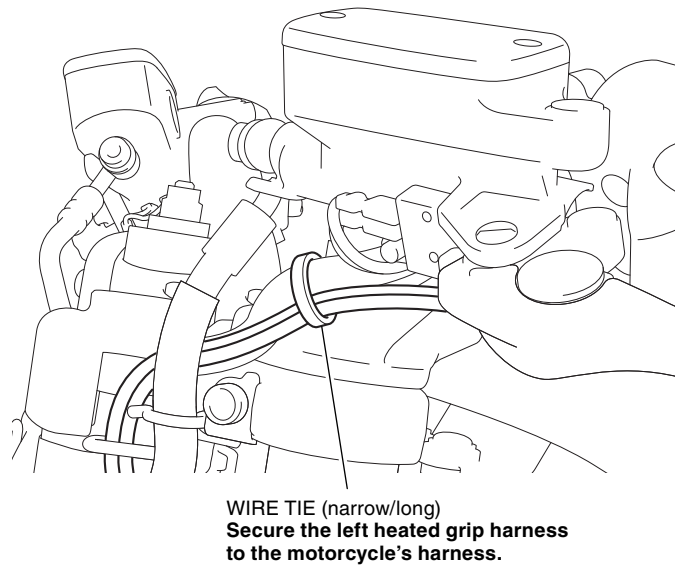


27. Route the left heated grip harness as shown.

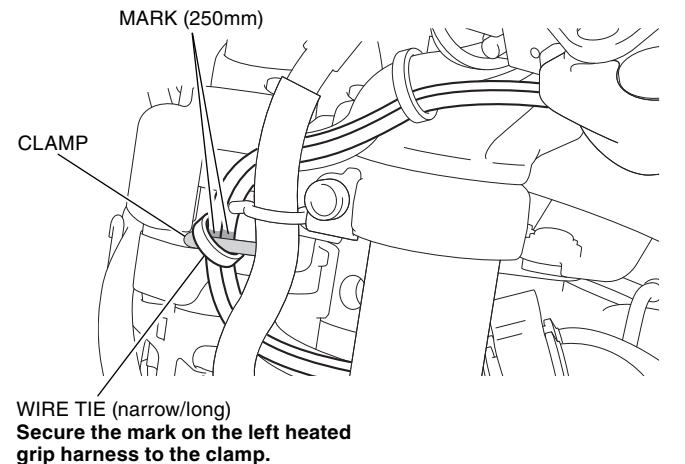
<Left side>



28. Secure the left heated grip harness using the wire tie as shown.

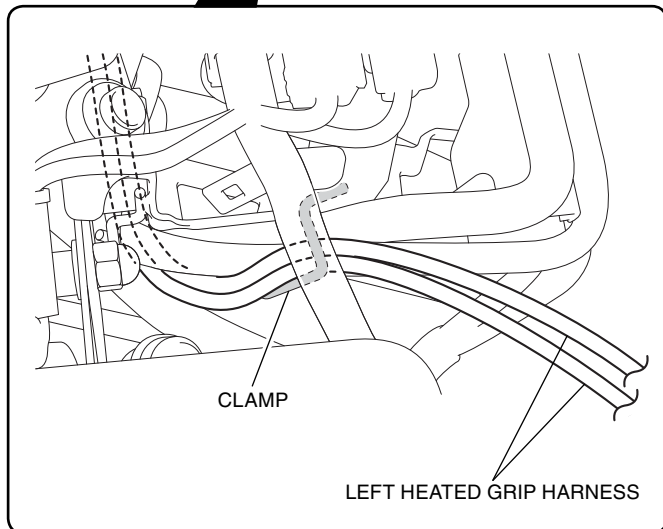
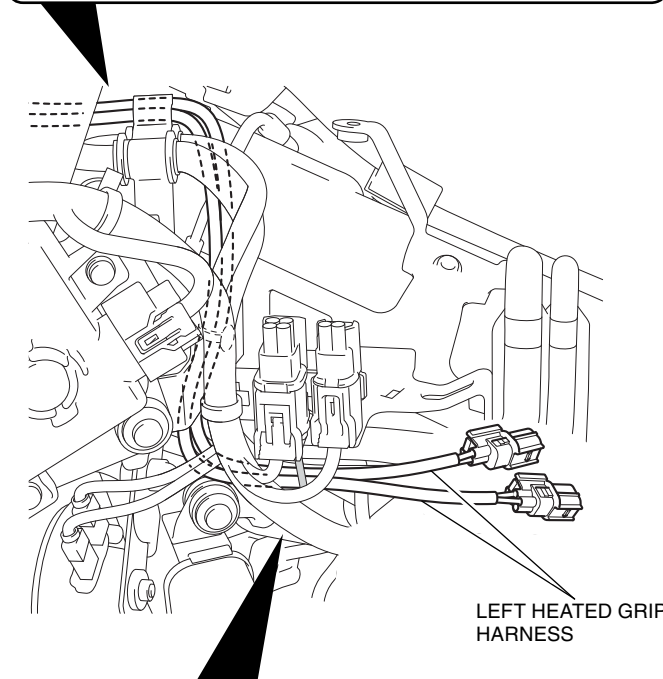
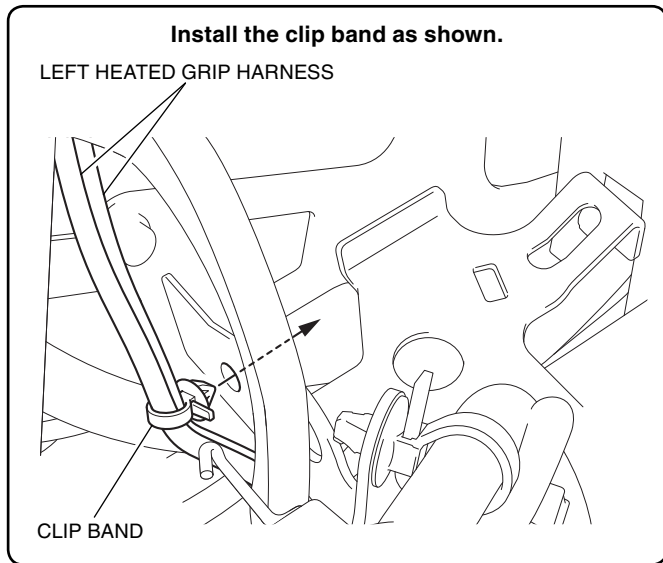


29. Secure the left heated grip harness using the wire tie as shown.



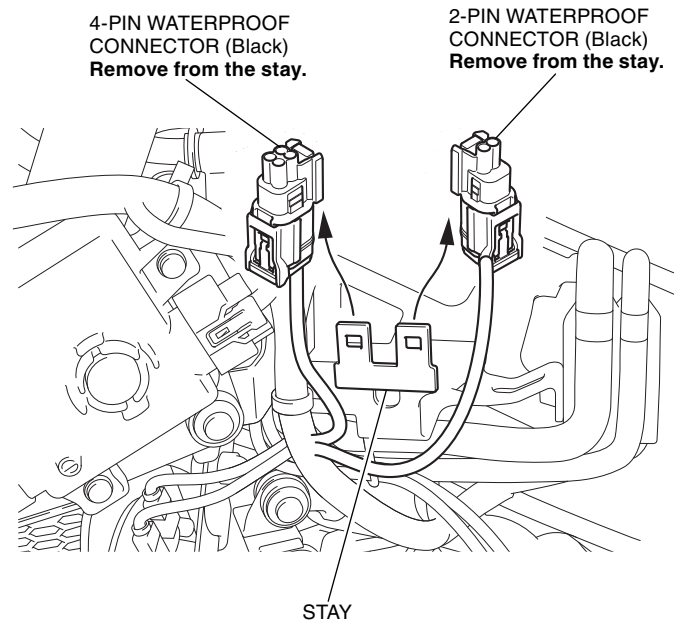
30. Route the left heated grip harness as shown.

<Left side>

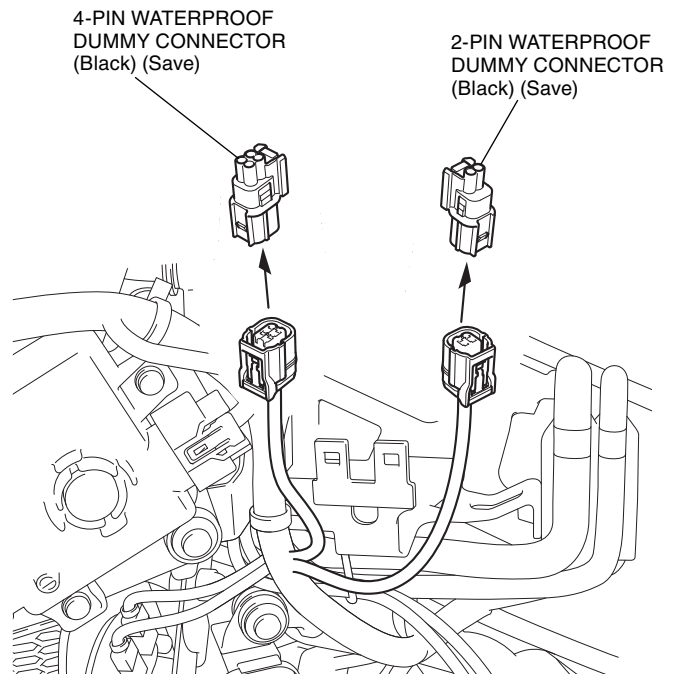


31. Remove the connectors from the stay as shown.

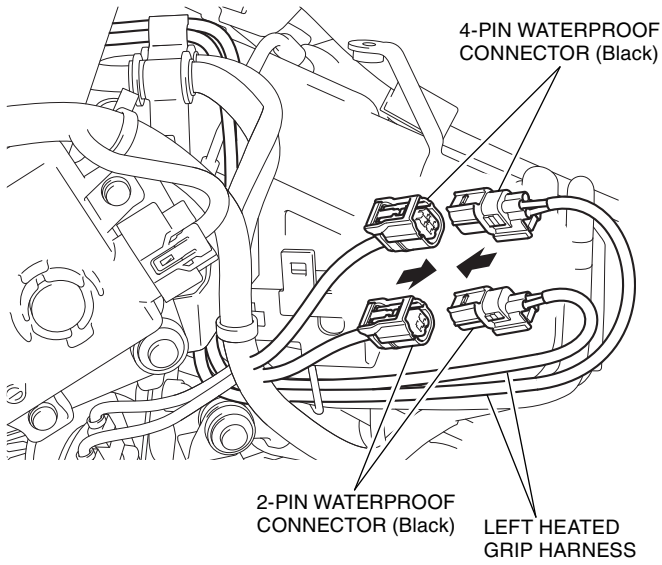
<Left side>



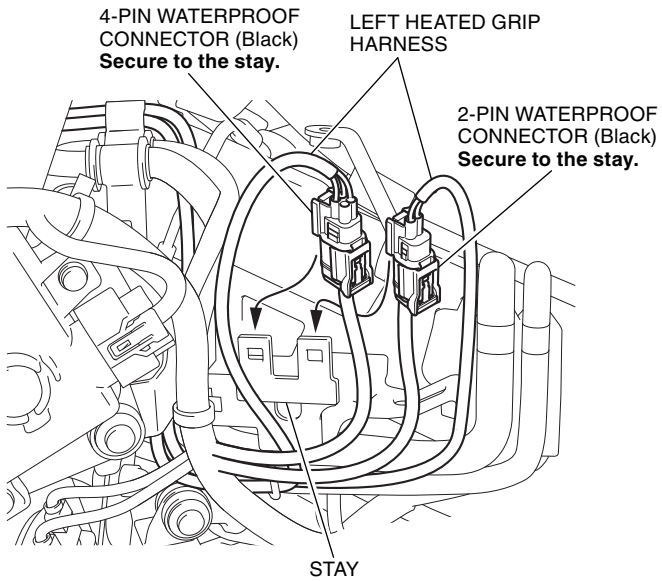
32. Remove the dummy connectors as shown.



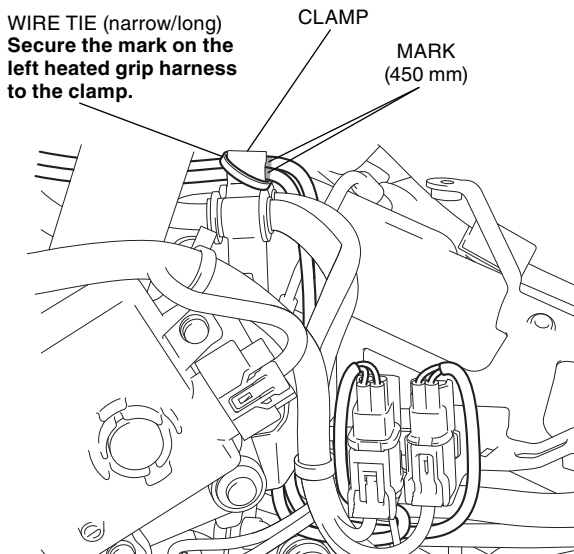
33. Connect the left heated grip harness as shown.



34. Secure the left heated grip harness to the stay.

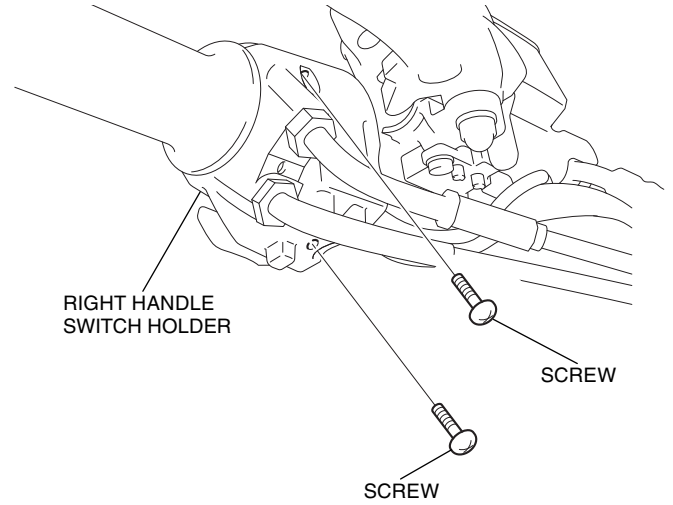


35. Secure the left heated grip harness using the wire tie as shown.



36. Remove the screws from the motorcycle as shown.

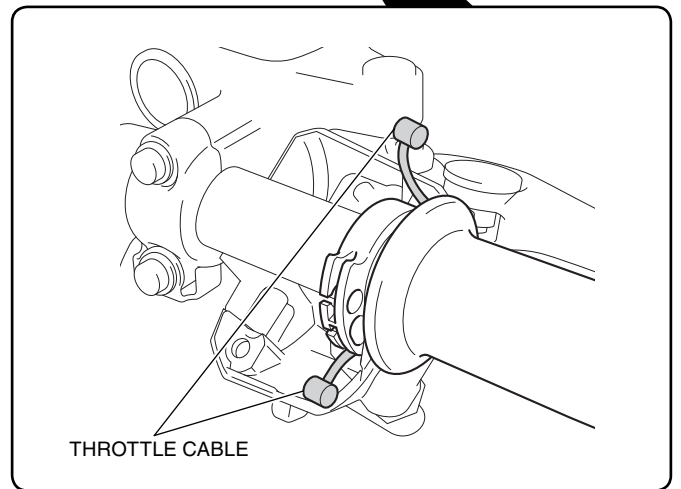
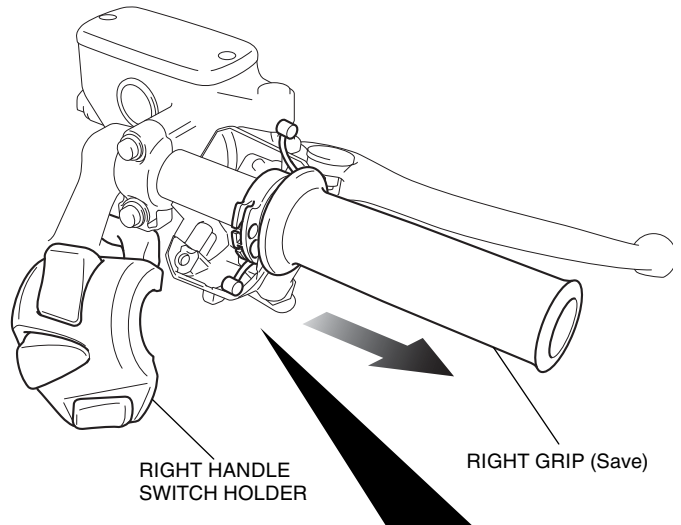
<Right side>



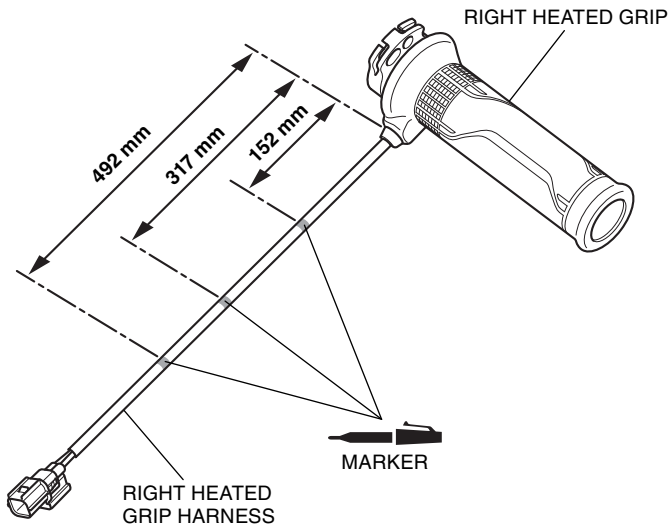
37. Remove the right grip as shown.

NOTE

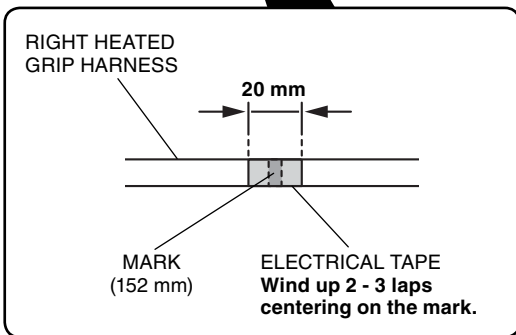
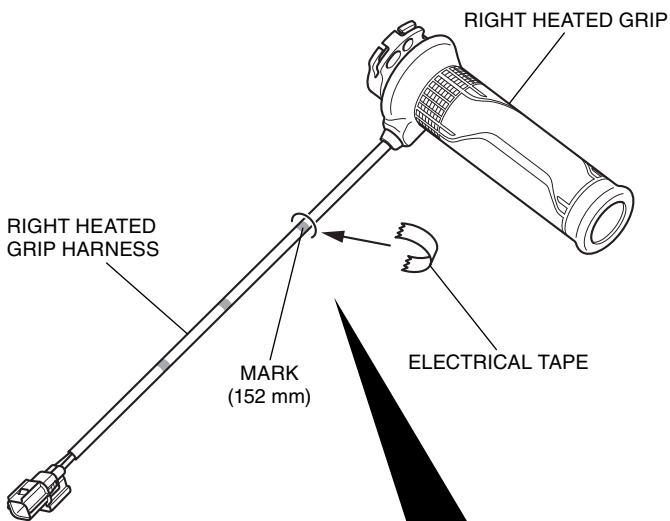
Disconnect the throttle cable from the right grip as instructed in the Service Manual. Do not try to disconnect the cable with force using pliers, etc.



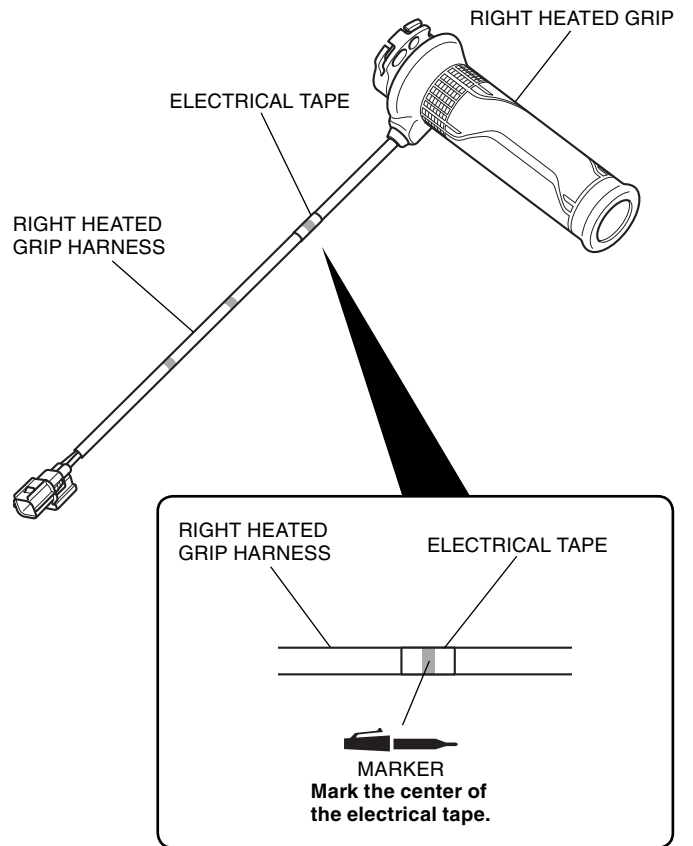
38. Mark the right heated grip harness in the positions shown.




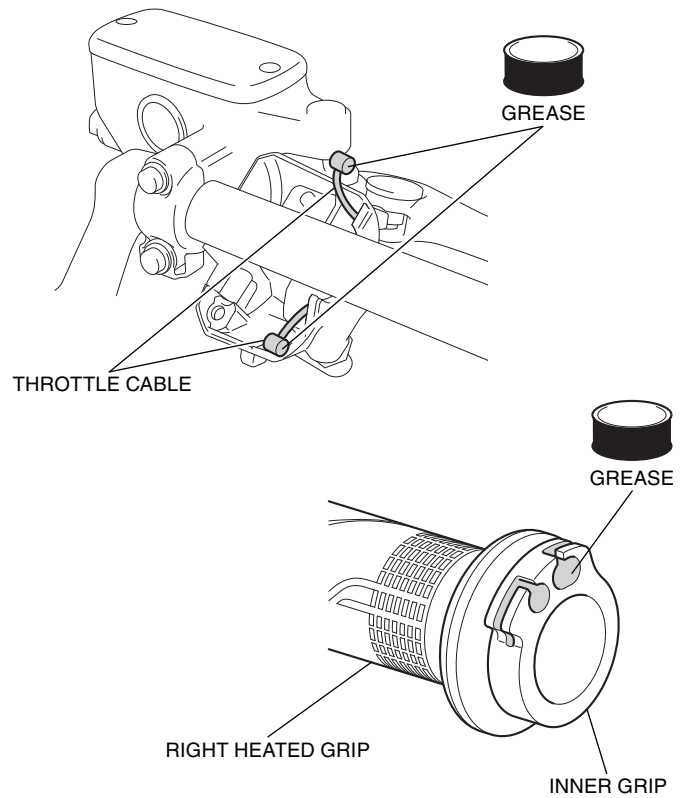
39. Wind electrical tape on the marked position as shown.



40. Mark the right heated grip harness in the position shown.

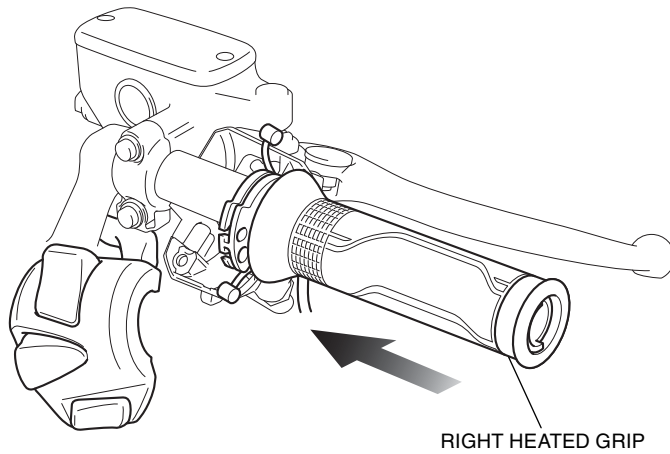


41. Apply grease to the  parts of the throttle cables and inner grip as shown.



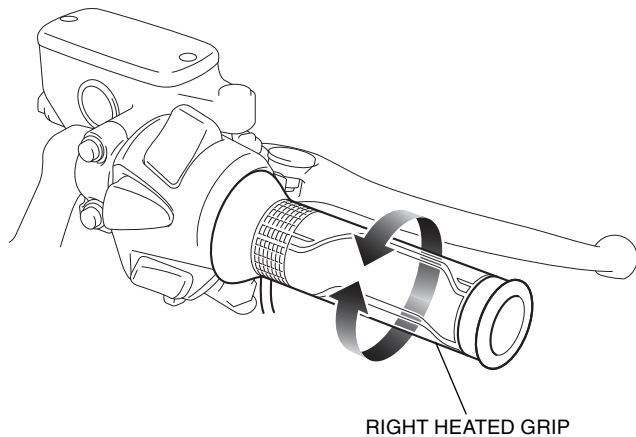
42. Install the right heated grip and right switch holder in the reverse order of removal.

- **After installation, refer to the Service Manual and adjust the throttle freeplay.**



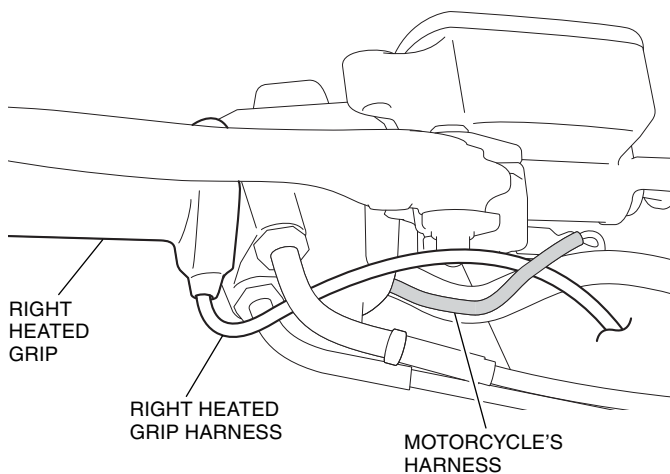
43. Twist the throttle grip as shown.

- **Check for smooth opening of the throttle and that it automatically snaps closed from any opening, in all steering positions.**

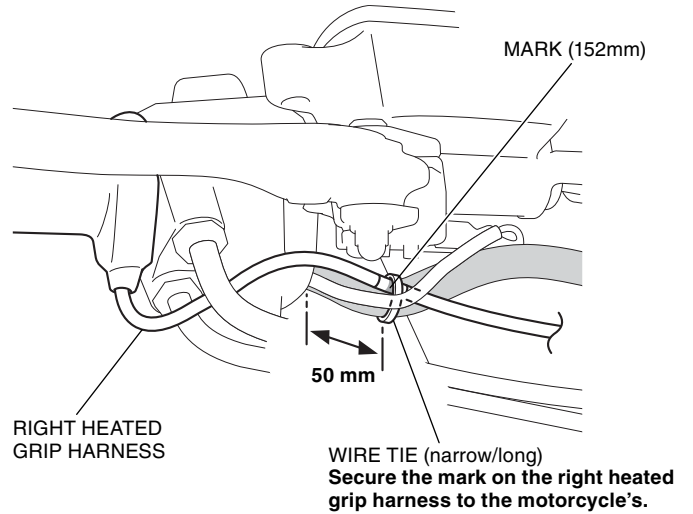


44. Route the right heated grip harness as shown.

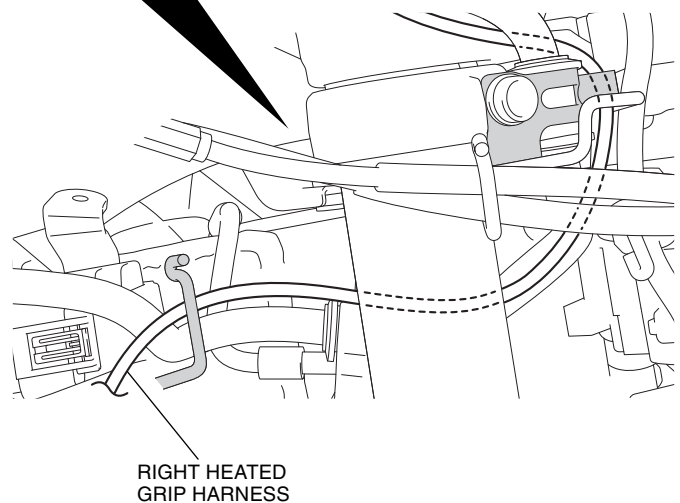
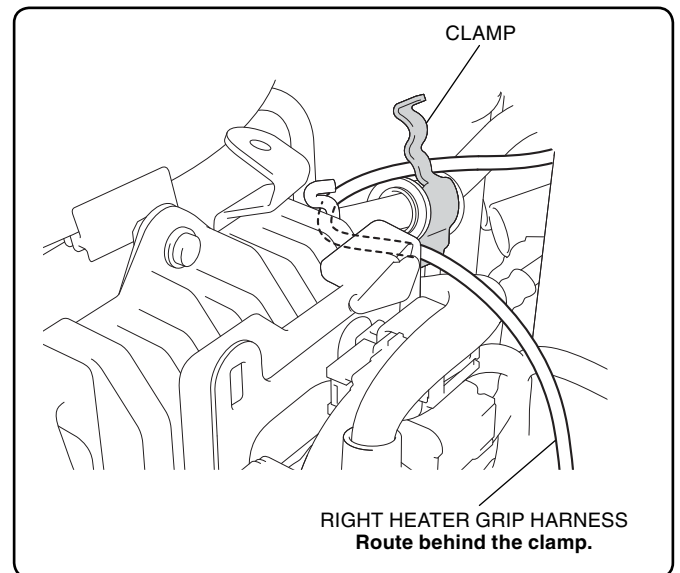
<Right side>



45. Secure the right heated grip harness using the wire tie as shown.

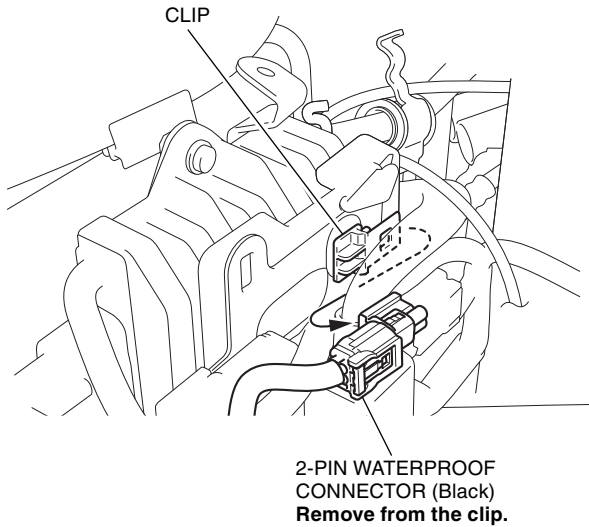


46. Route the right heated grip harness as shown.

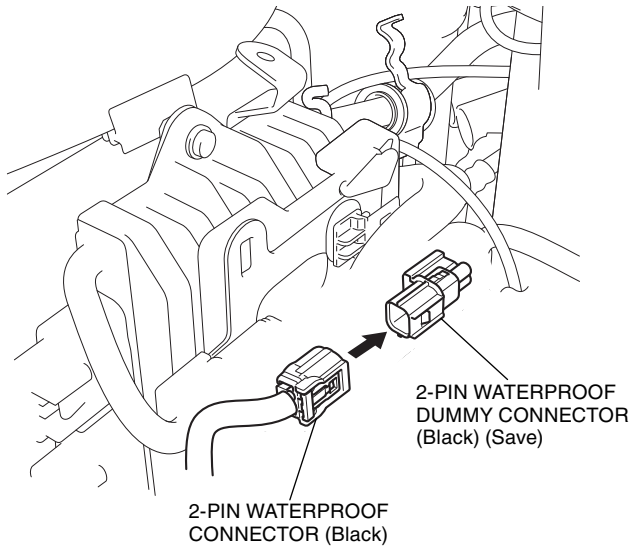


47. Remove the connector from the clip as shown.

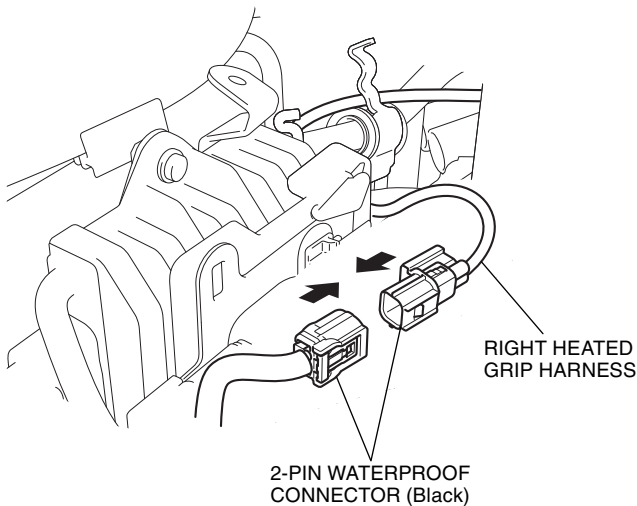
<Right side>



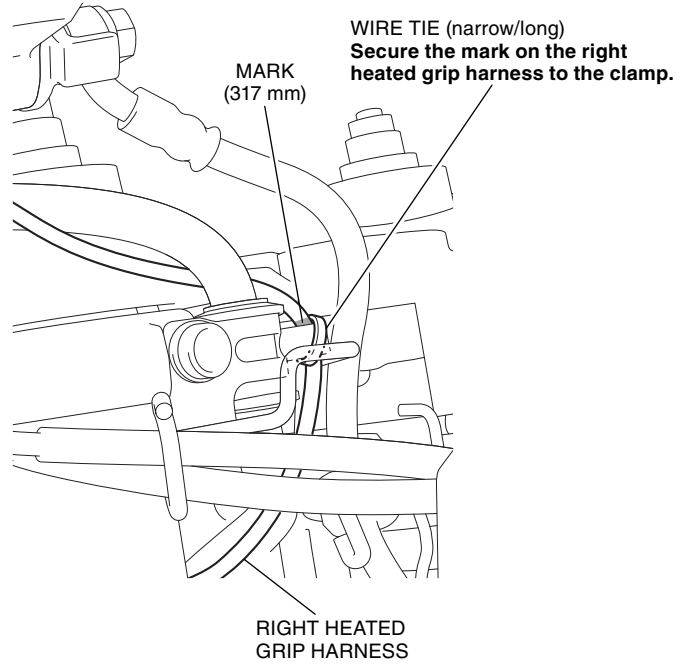
48. Remove the dummy connector as shown.



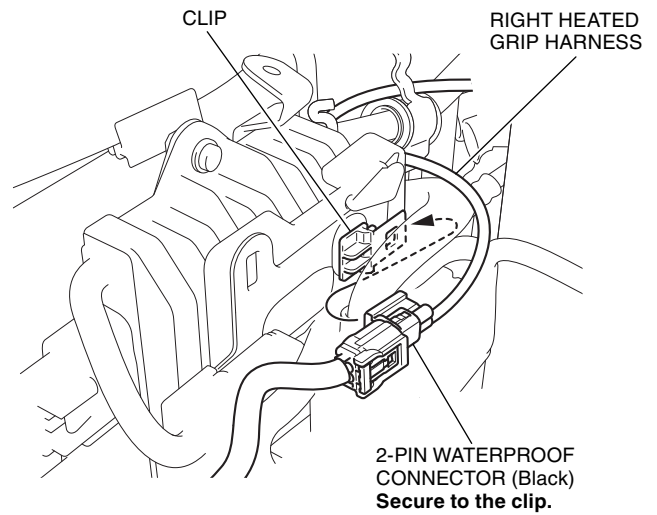
49. Connect the right heated grip harness as shown.



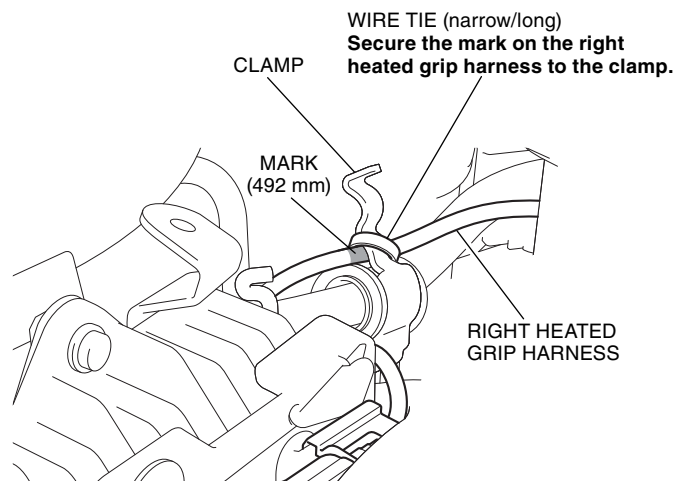
50. Secure the right heated grip harness using the wire tie as shown.



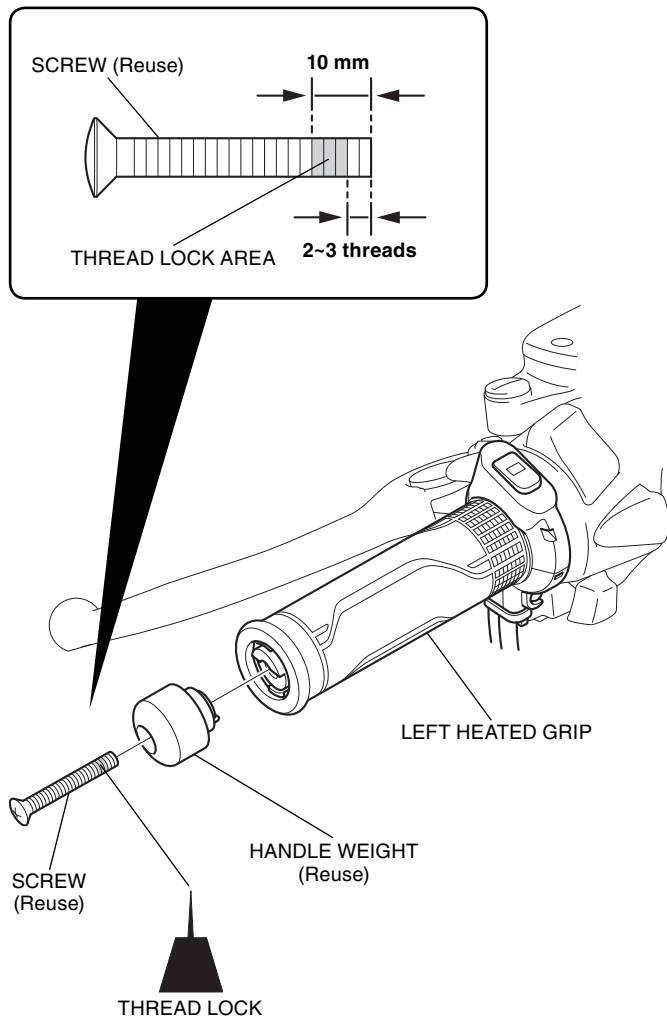
51. Secure the right heated grip harness as shown.



52. Secure the right heated grip harness using the wire ties as shown.



53. Check each harness for sufficient play.
- **Move the handlebar right and left and check that the harnesses are not pinched by neighboring components and that they are not pulled taut.**
54. Reinstall the left handle weight as shown.
- **Clean up with isopropyl alcohol before applying thread lock.**
 - **Be sure to apply to the threads of the screw.**
 - **Repeat on the right side.**



55. Install the removed parts in the reverse order of removal.
- **Confirm that no wire harness is caught or too tight.**
56. Check the heated grip, throttle, headlight, and other lights for proper operation.
- **Perform the operation check at least one hour after attaching the left heated grip. Do not set the heater level at more than 3 as the handgrip cement may soften.**
 - **Make sure to turn off the heater switch after the operation check.**

Please convey the following information to the customer during delivery.

- **Do not set the heater level higher than 1 for one week after installation to allow the handgrip cement to fully cure.**

HONDA

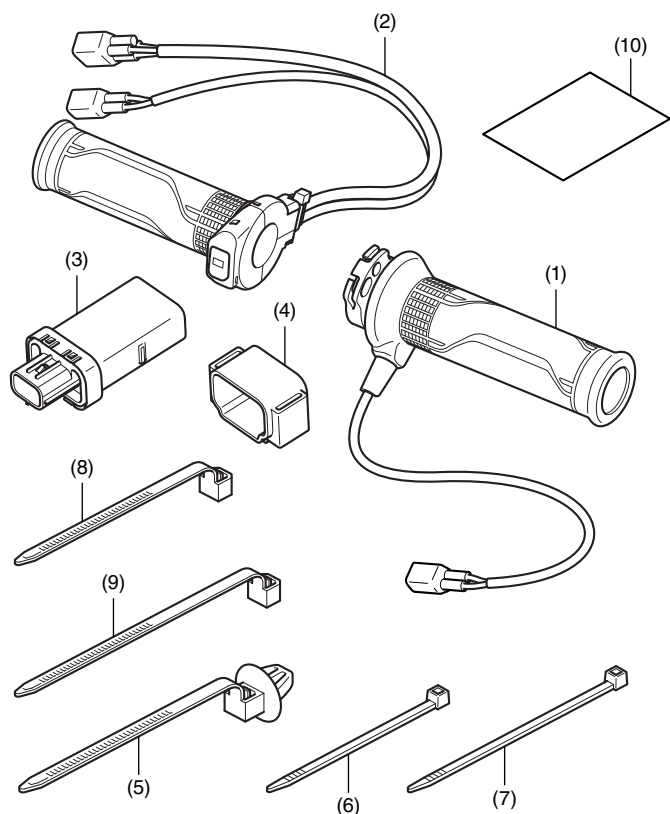
INSTALLATION INSTRUCTIONS

Accessory
HEATED GRIPS
 P/N 08T70-MJM-A00

Application
NC700JD

Publication No.
MII 15087
 Issue Date
October 2014

PARTS LIST



No.	Description	Qty
(1)	Right heated grip	1
(2)	Left heated grip	1
(3)	Heater controller	1
(4)	Suspension	1
(5)	Clip band	6
(6)	Wire tie (narrow/short) [Not used.]	6
(7)	Wire tie (narrow/long)	6
(8)	Wire tie (wide/short)	6
(9)	Wire tie (wide/long) [Not used.]	3
(10)	Installation instruction URL	1

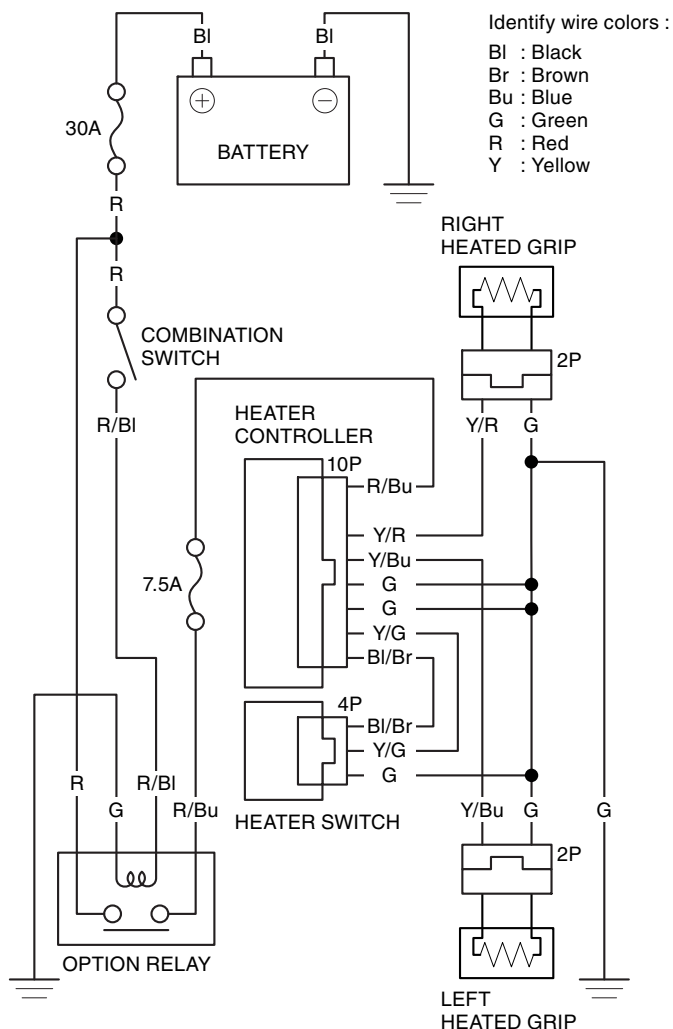
TOOLS AND SUPPLIES REQUIRED

- | | |
|----------------------|---------------------------|
| Side cutters | Scissors |
| Ruler | Marker |
| Electrical tape | Pro Honda Handgrip Cement |
| Thread lock (medium) | Grease |
| Isopropyl alcohol | Shop towel |

TORQUE INFORMATION

Refer to the Service Manual for the torque values of the removed parts.

SYSTEM DIAGRAM



INSTALLATION

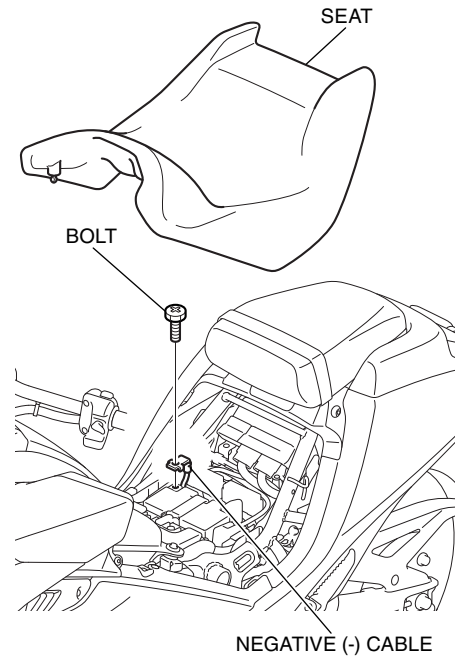
▲ CAUTION

- To prevent burns, allow the engine, exhaust system, radiator, etc. to cool before installing the accessory.

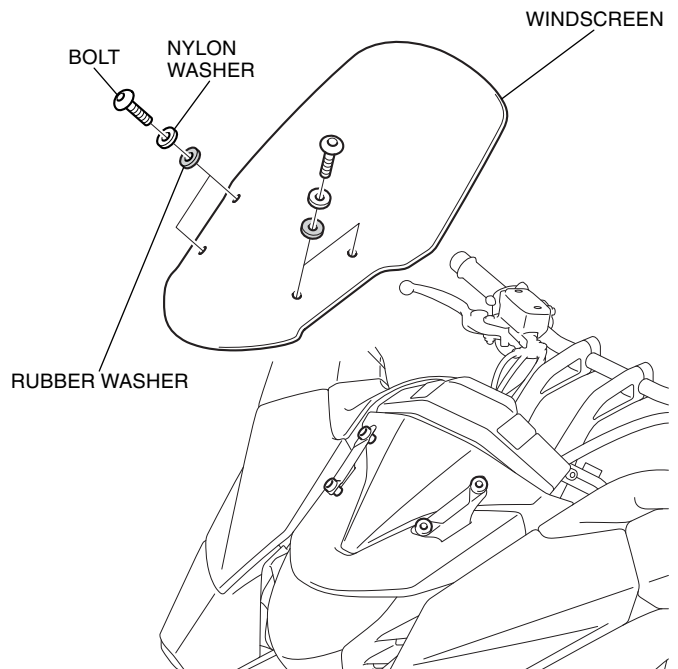
NOTE:

- Disconnect the throttle cables from the right grip as instructed in the Service Manual.
- For secure adhesion of the left heated grip to the handlebar, use the recommended adhesive agent (Pro Honda Handgrip Cement) and wait until it cures fully before use.
- Be sure to open and close the throttle to check for smooth operation after installation of the right heated grip.
- Disconnect the negative (-) cable from the battery before installing this accessory.
- The clock and illumination memory will be erased when the battery is disconnected. After reconnecting the battery, refer to the Owner's Manual and reset the meter.
- Trim the excess ends off the wire ties after attaching them to the wire harnesses. Do not allow the cut part of the wire tie to interfere with any harness or brake hose.
- Reinstall the removed parts on the motorcycle and make sure that wires and harnesses are not pinched
- After the heated grip installation, check all lights for proper operation.

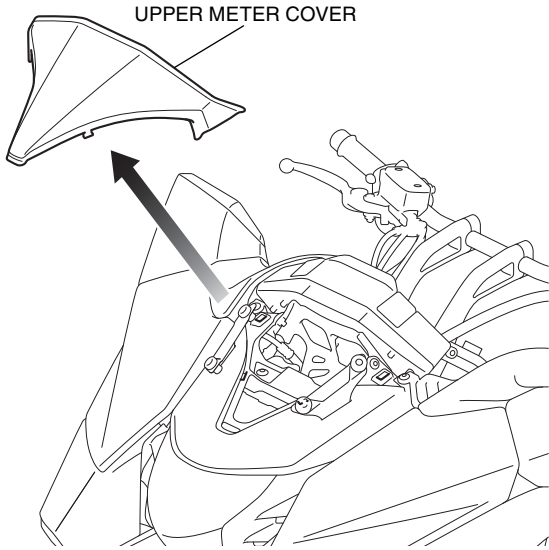
1. Remove the seat and disconnect the negative (-) cable from the battery as shown.



2. Remove the windscreen as shown.

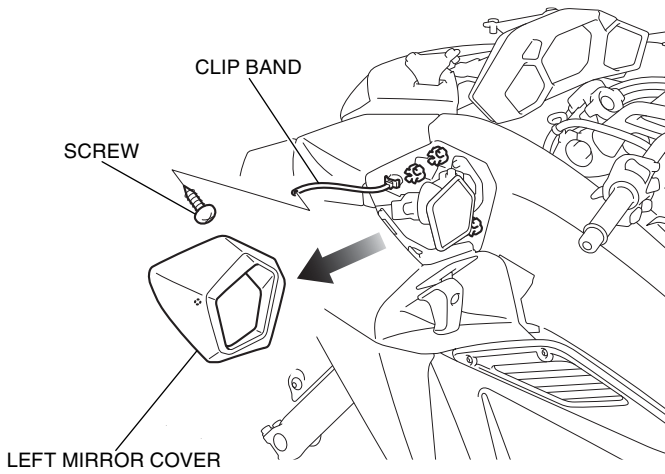


3. Remove the upper meter cover as shown.



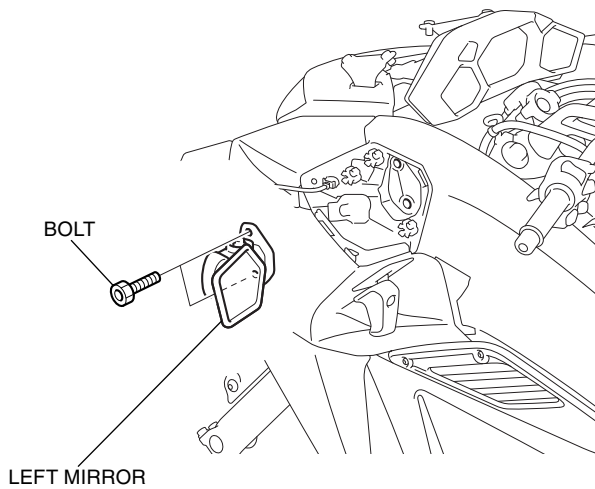
4. Refer to the Service Manual and remove the left and right mirror covers as shown.

- Repeat on the right side.

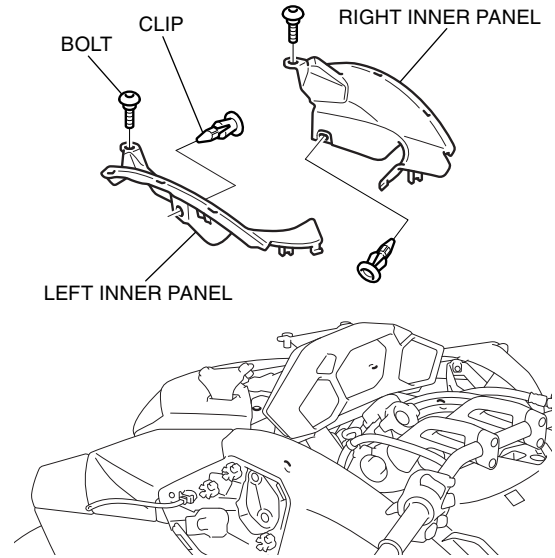


5. Refer to the Service Manual and remove the left and right mirrors as shown.

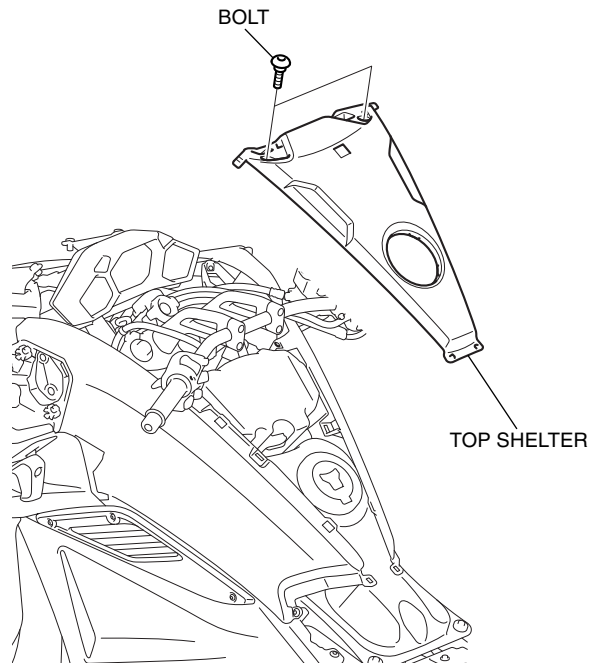
- Repeat on the right side.



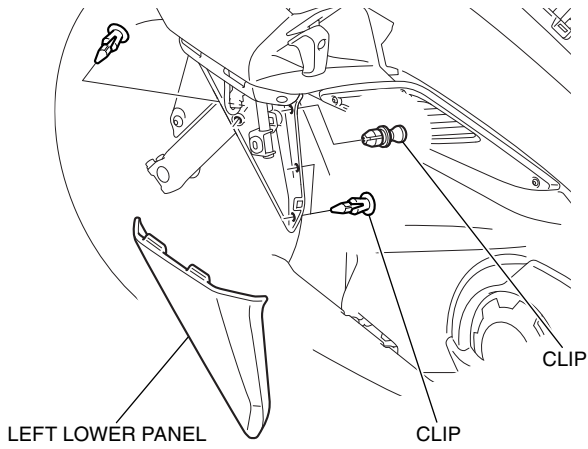
6. Remove the left and right inner panels as shown.



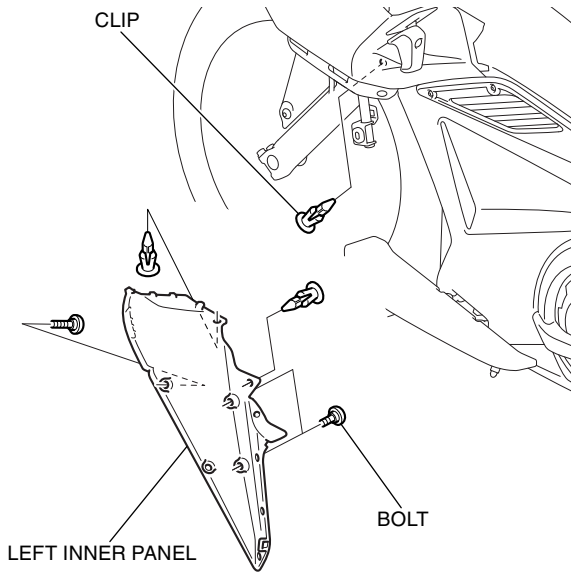
7. Remove the top shelter as shown.



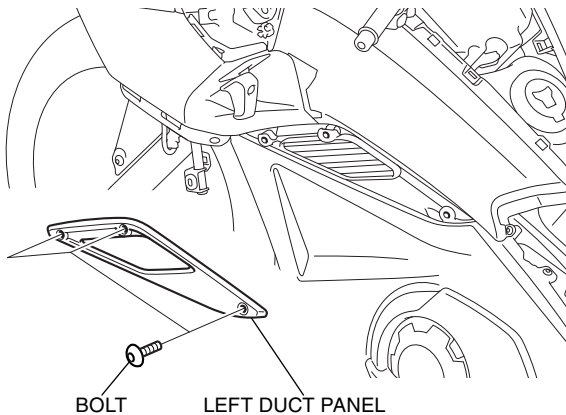
8. Remove the left and right lower panels as shown.
- Repeat on the right side.



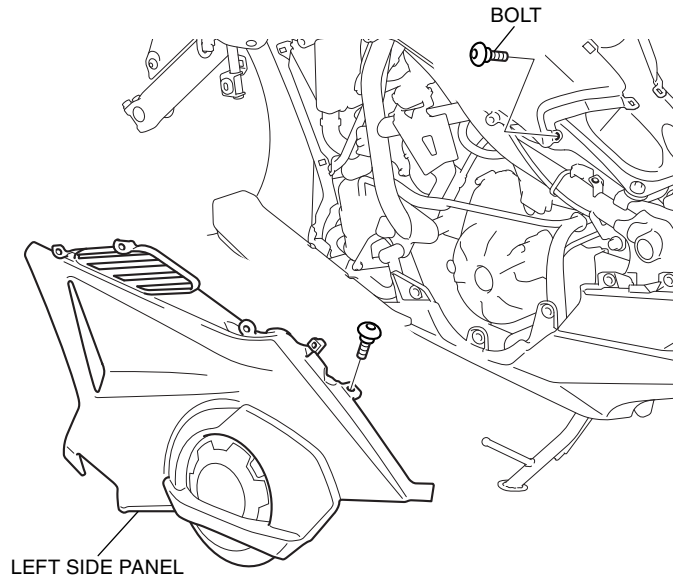
9. Remove the left and right inner panels as shown.
- Repeat on the right side.



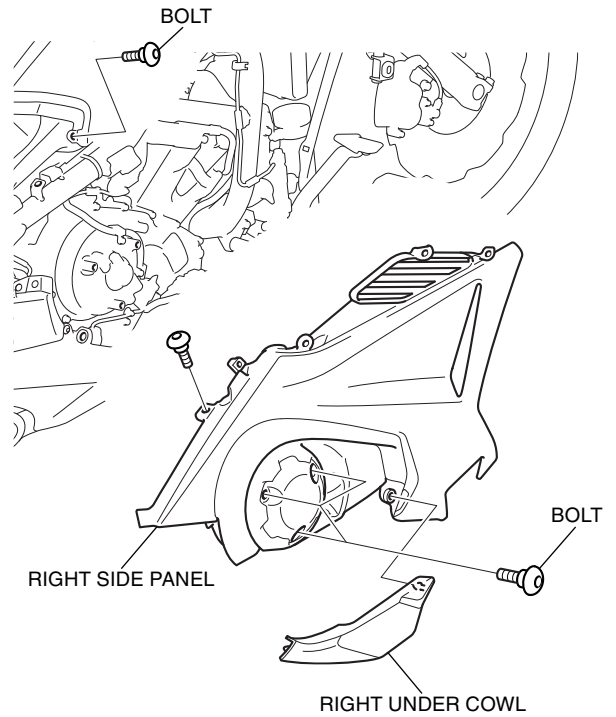
10. Remove the left and right duct panels as shown.
- Repeat on the right side.




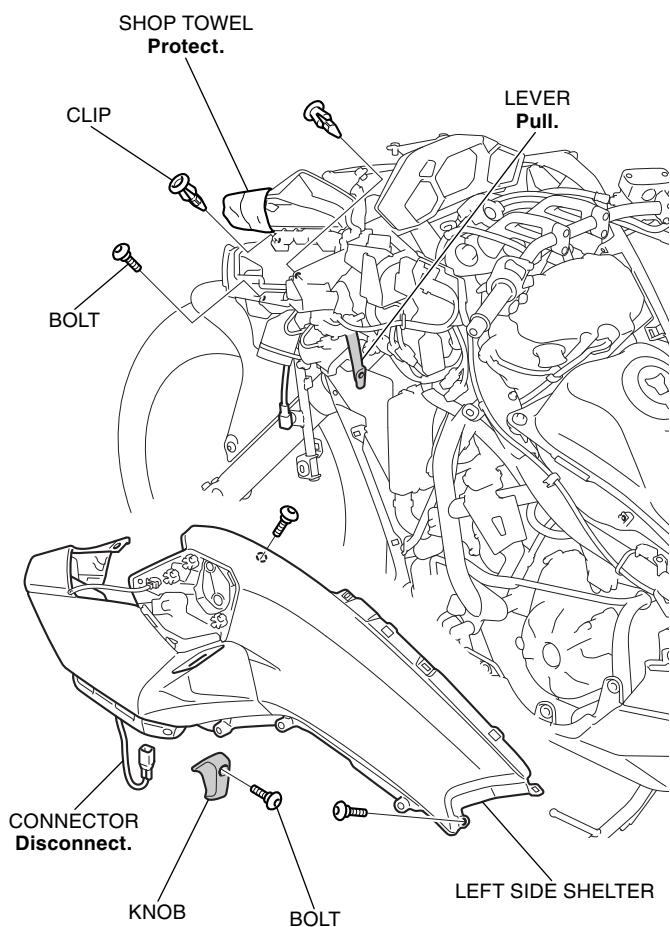
11. Remove the left side panel as shown.



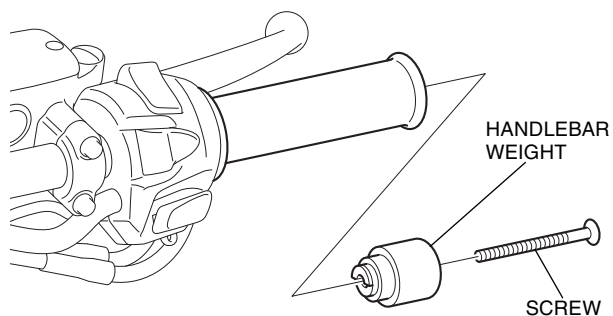
12. Remove the right side panel as shown.



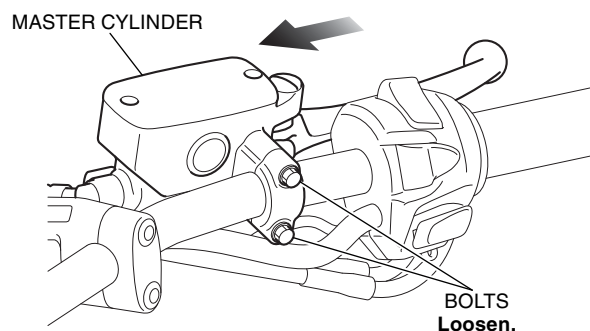
13. Refer to the Service Manual and remove the left and right side shelters as shown. Use a shop towel to protect the front utility box.
- Repeat on the right side.
 -  parts are left side only.



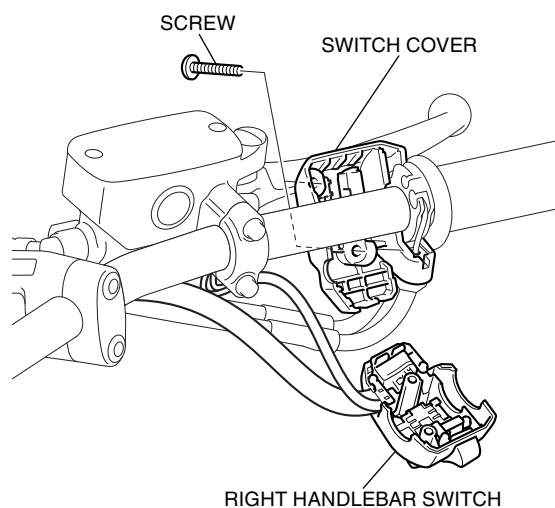
14. Remove the handlebar weight from the motorcycle as shown.
- Repeat on the left side.



15. Loosen the bolts and slide the master cylinder as shown.
- Be careful not to scratch the handlebar.



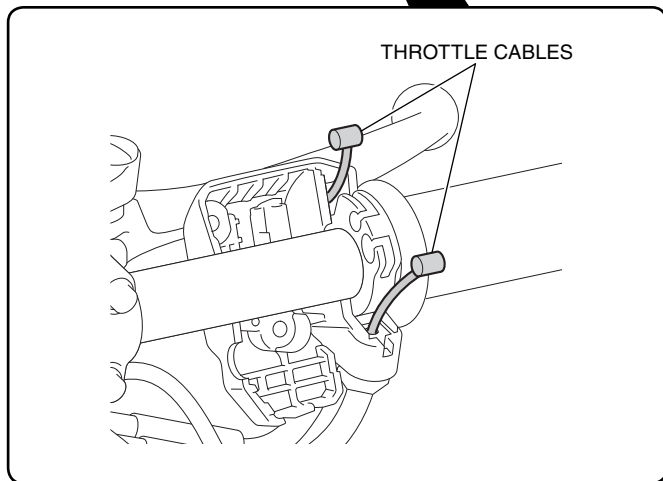
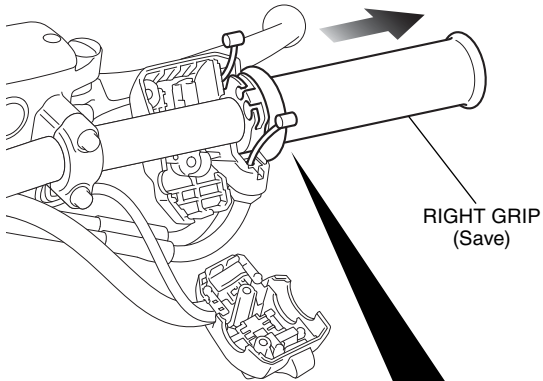
16. Remove the right handlebar switch as shown.



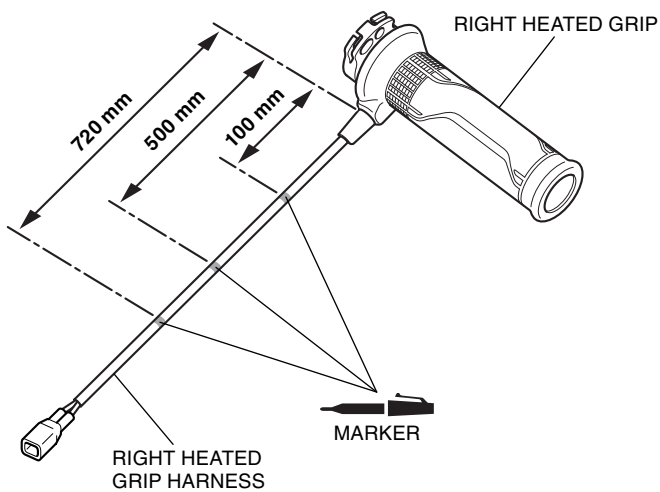
17. Remove the right grip as shown.


NOTE

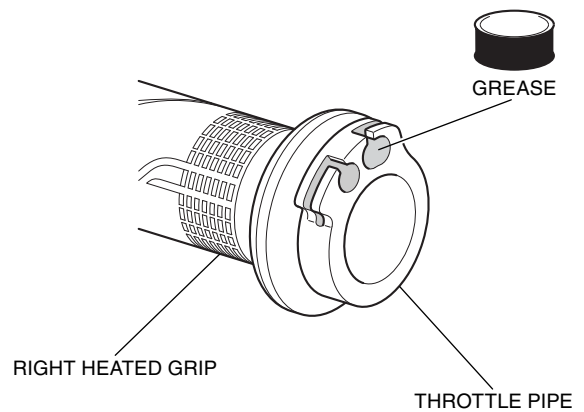
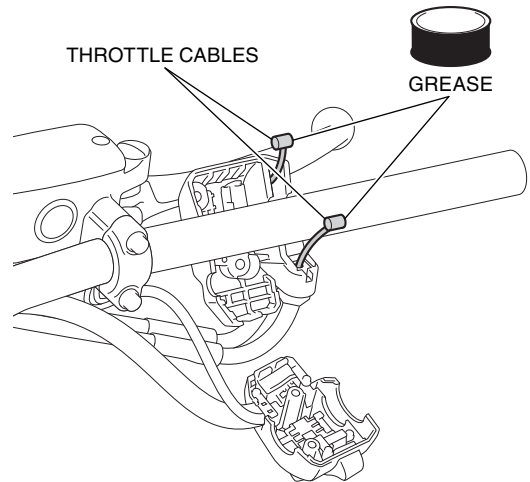
Disconnect the throttle cable from the right grip as instructed in the Service Manual. Do not try to disconnect the cable with force using pliers, etc.



18. Mark the right heated grip harness in the positions shown.

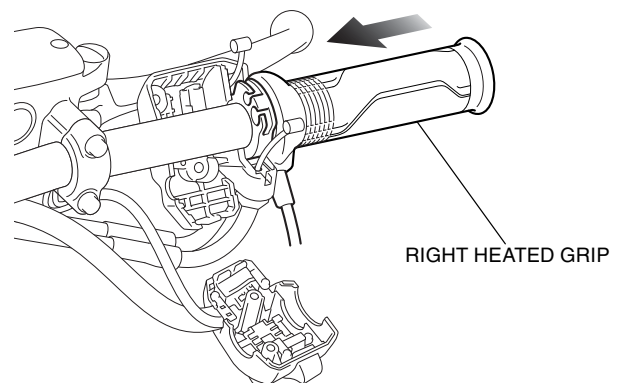


19. Apply grease to the  parts of the throttle cables and throttle pipe as shown.



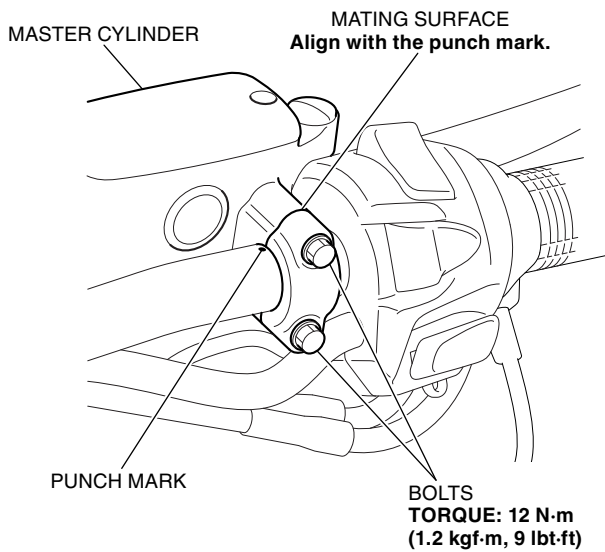
20. Install the right heated grip and handlebar switch in the reverse order of removal.

- **After installation, refer to the Service Manual and adjust the throttle freeplay.**



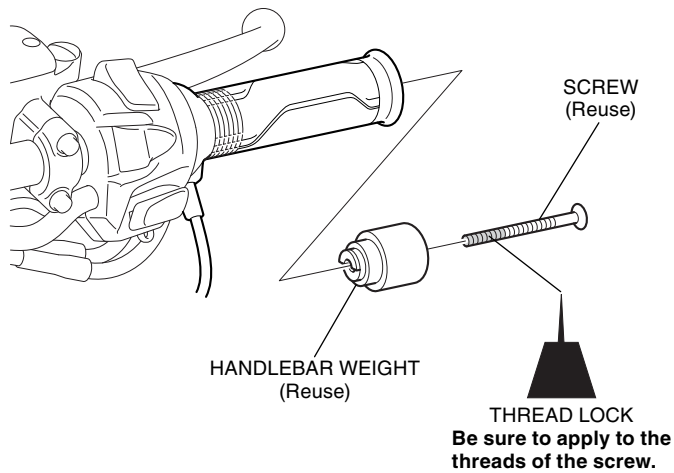
21. Reposition the master cylinder and tighten the bolts as shown.

- **Be careful not to scratch the handlebar.**



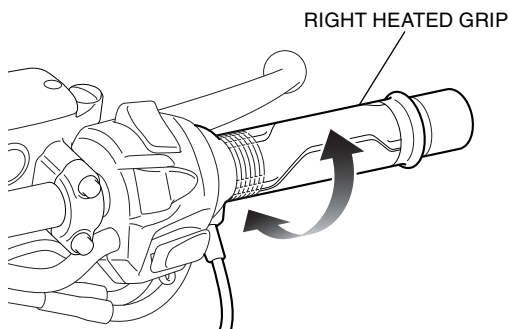
22. Reinstall the handlebar weight as shown.

- **Before applying thread lock, thoroughly clean the screw.**



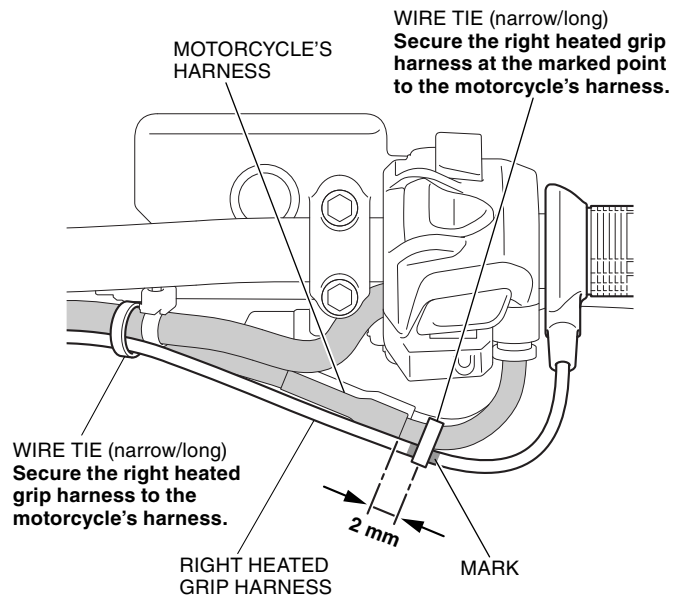
23. Open and close the throttle grip as shown.

- **Check that the throttle opens and automatically closes smoothly.**

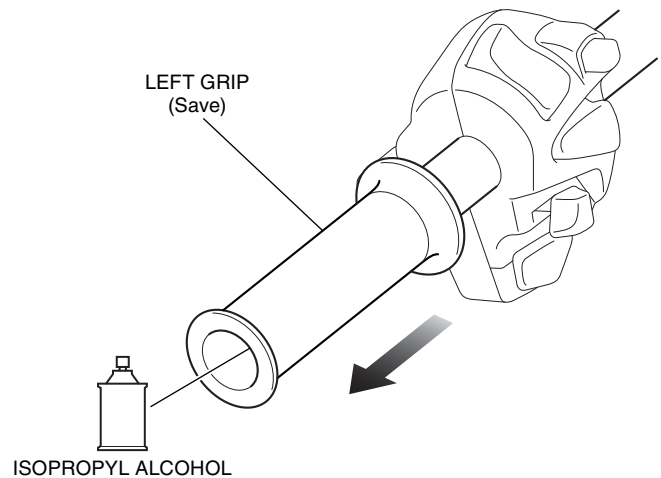


24. Secure the right heated grip harness with the wire ties as shown.

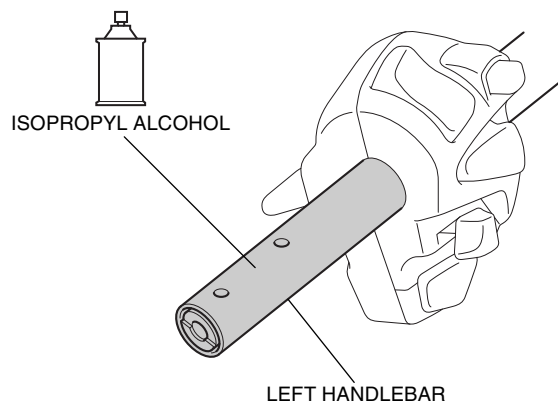
- **Open and close the throttle and confirm that there is no tightness in the heated grip harness.**



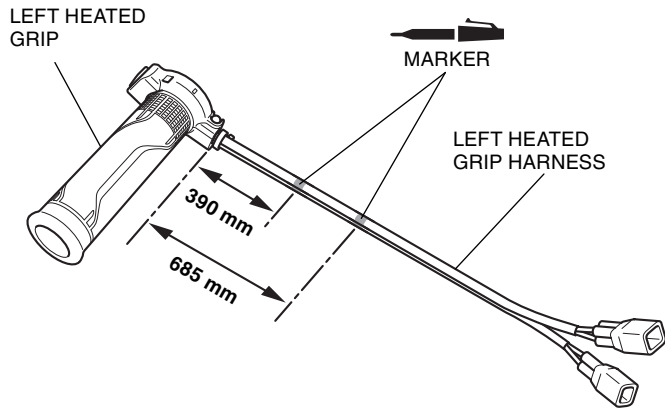
25. Remove the left grip as shown.



26. Using isopropyl alcohol, remove all traces of adhesive from the left handlebar.

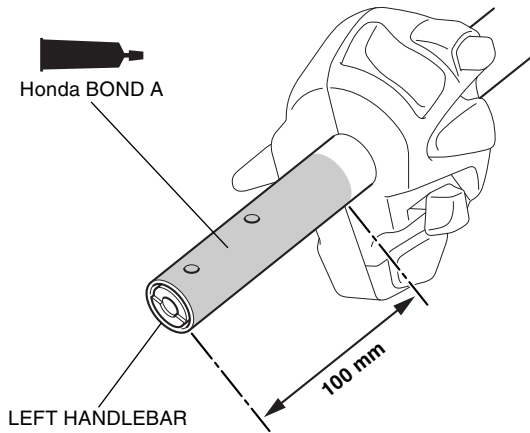


27. Mark the left heated grip harness in the positions shown.

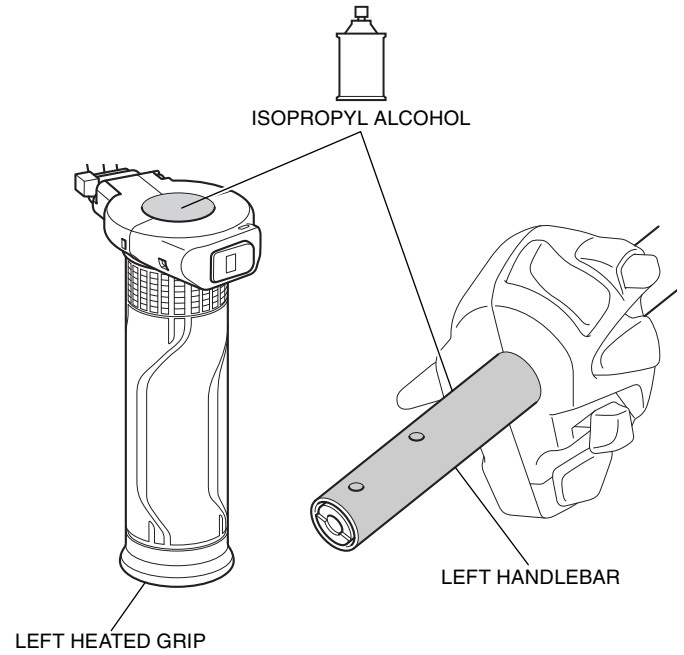


28. Apply Pro Honda Handgrip Cement to the left handlebar as shown.

- **Apply evenly to the whole circumferential surface of the left handlebar.**
- **Perform the next step 5 minutes after application.**



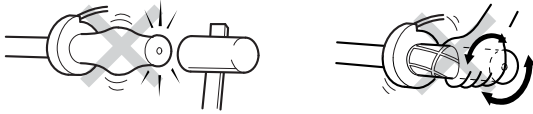
29. Spray isopropyl alcohol over the inside of the left heated grip and outside of the left handlebar.



30. Slide the left heated grip onto the left handlebar as indicated.
- Use an assistant to steady the motorcycle while installing the grips.
 - Wipe up excess adhesive at once.

NOTICE

- Do not tap on the grip end with a hammer and do not twist the grip to install the heated grip onto the handlebar, as it can damage the element.



- Avoid putting pressure on the switch part when inserting the left heated grip. There is a possibility that the switch part will break. Also, install so that there is no gap with the left handlebar switch.



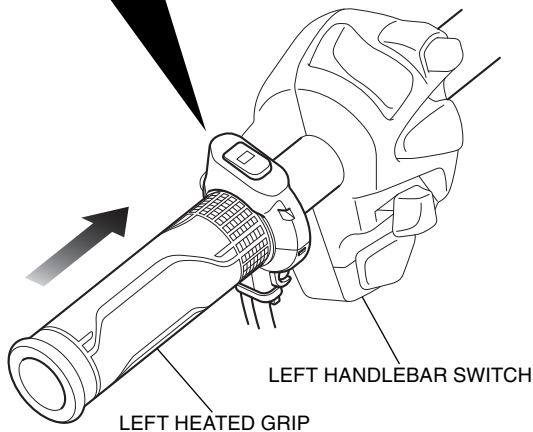
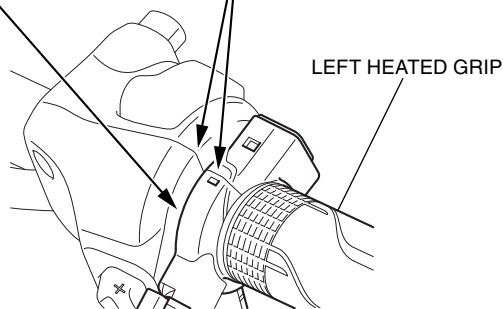
- If the grip gets stuck halfway during installation, apply isopropyl alcohol to the gap between the grip heater. Do not try to remove the heated grip using force or a screwdriver, etc. Damage to the heated grip wire can result.
- Do not touch the left handlebar and turn on the heater switch for at least one hour after attachment.

Insert until there is contact with the left handlebar switch, then align with the indicated position.

Push in tight against the left handlebar switch.

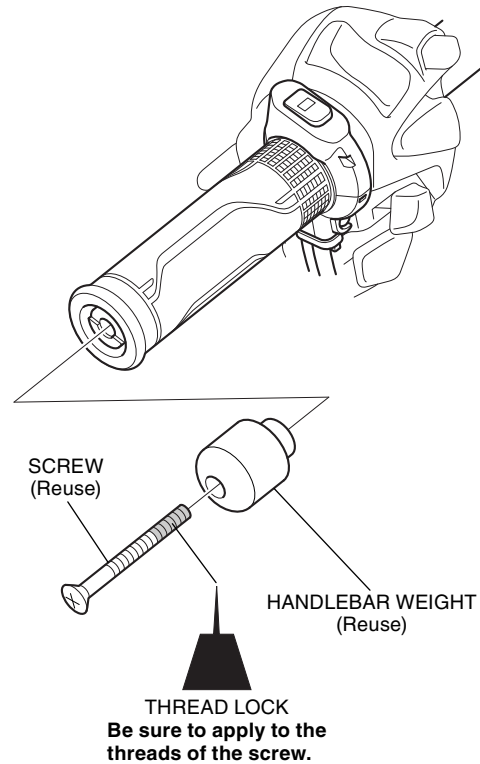
Align.

LEFT HEATED GRIP

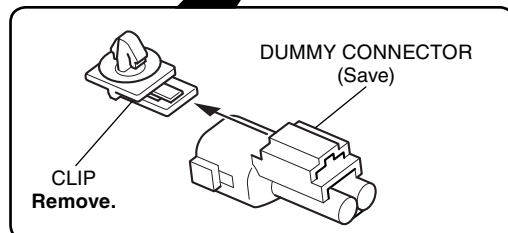
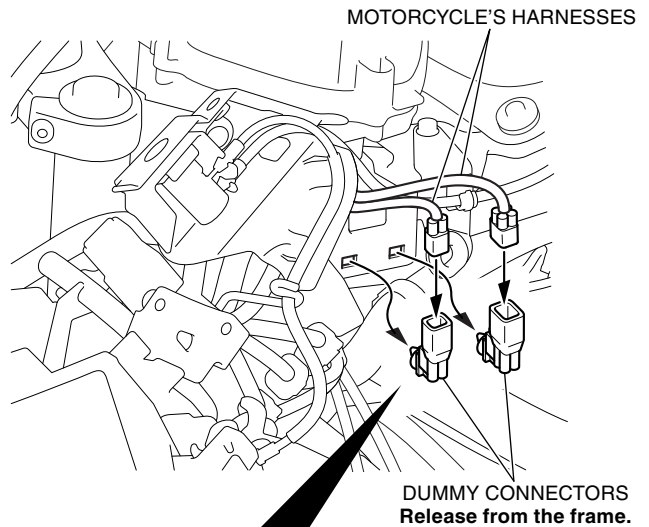


31. Reinstall the handlebar weight as shown.

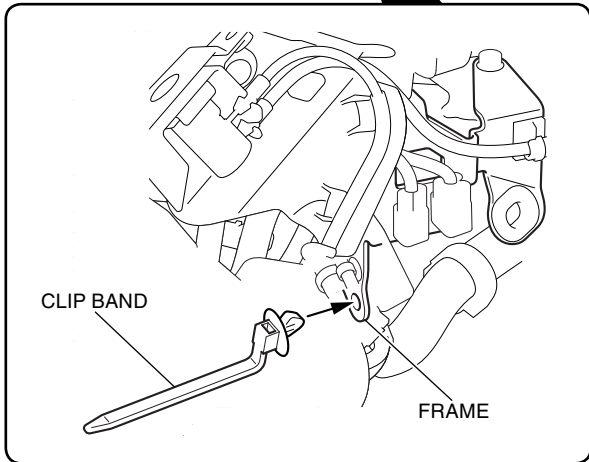
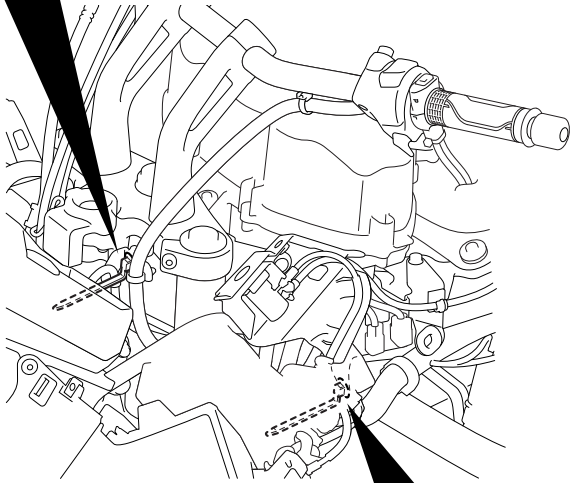
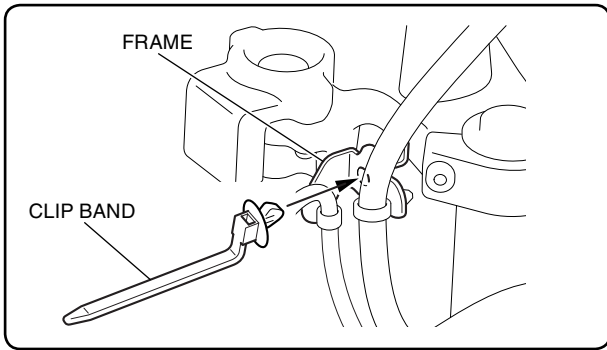
- Before applying thread lock, thoroughly clean the screw.



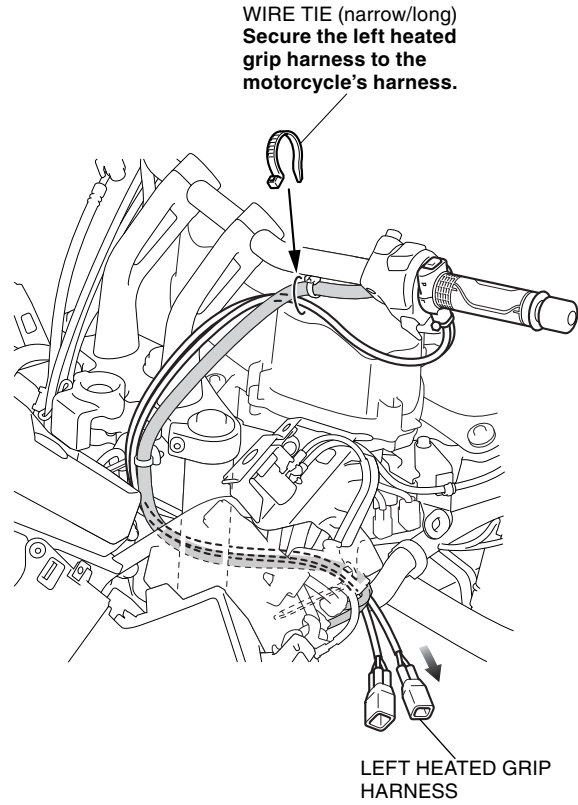
32. Remove the dummy connector as shown.



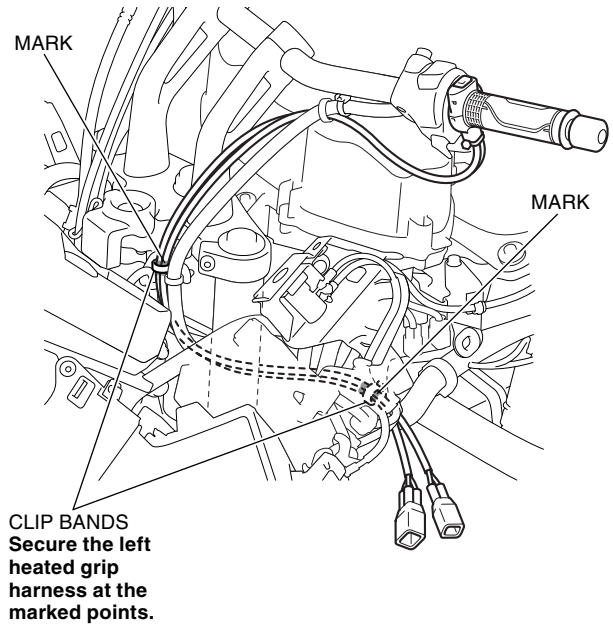
33. Install the clip bands as shown.



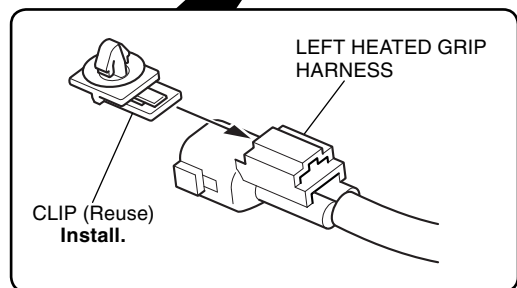
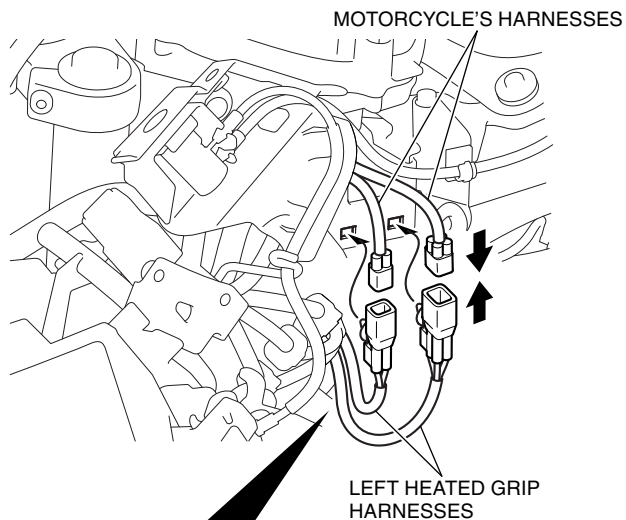
34. Route and secure the left heated grip harness as shown.



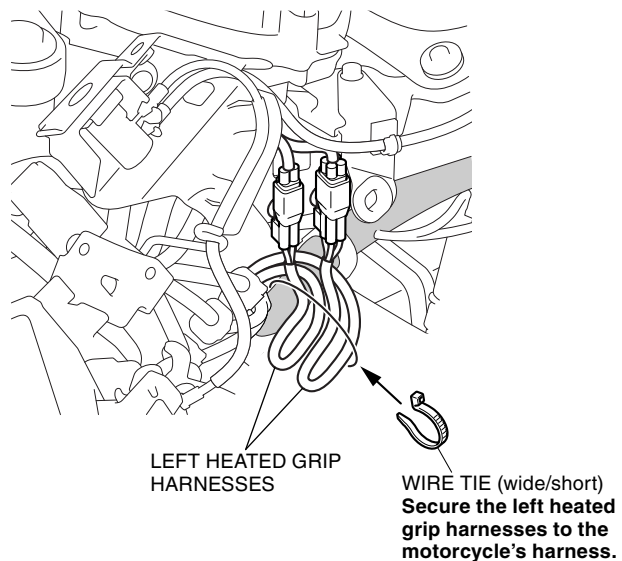
35. Secure the left heated grip harness to the clip bands as shown.



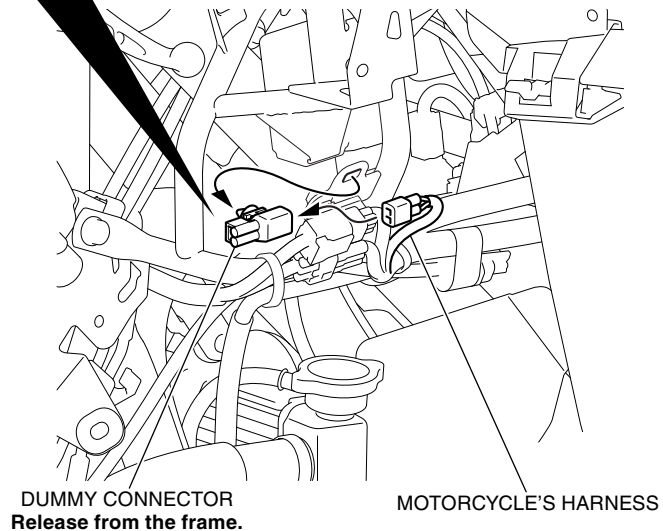
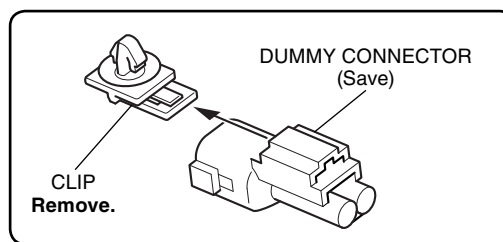
36. Connect and secure the left heated grip harness as shown.



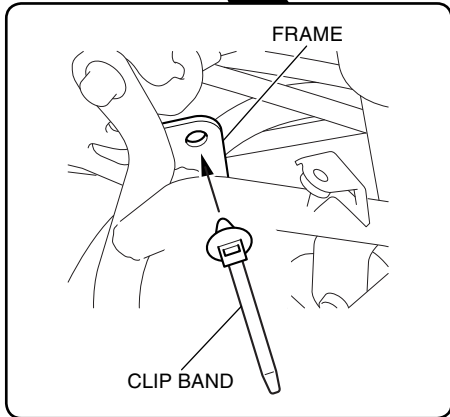
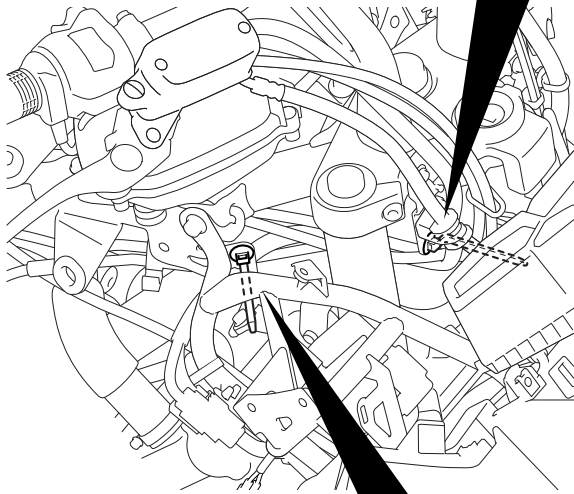
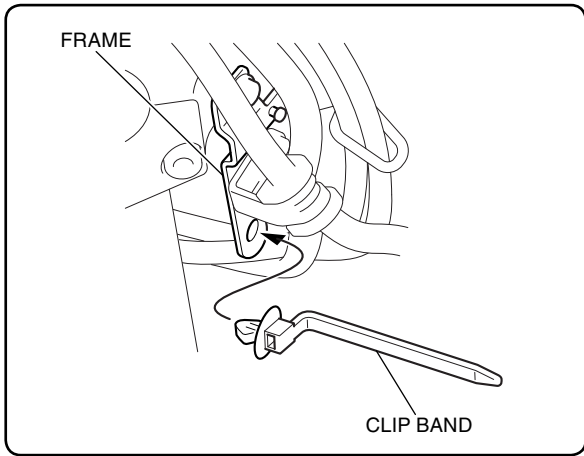
37. Bundle the left heated grip harnesses with the wire tie as shown.



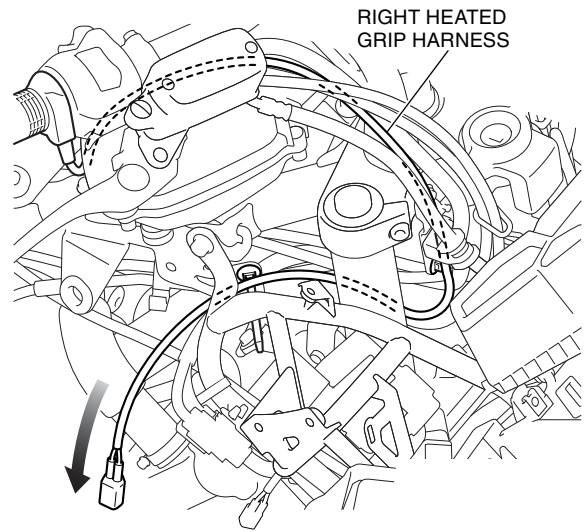
38. Remove the dummy connector as shown.



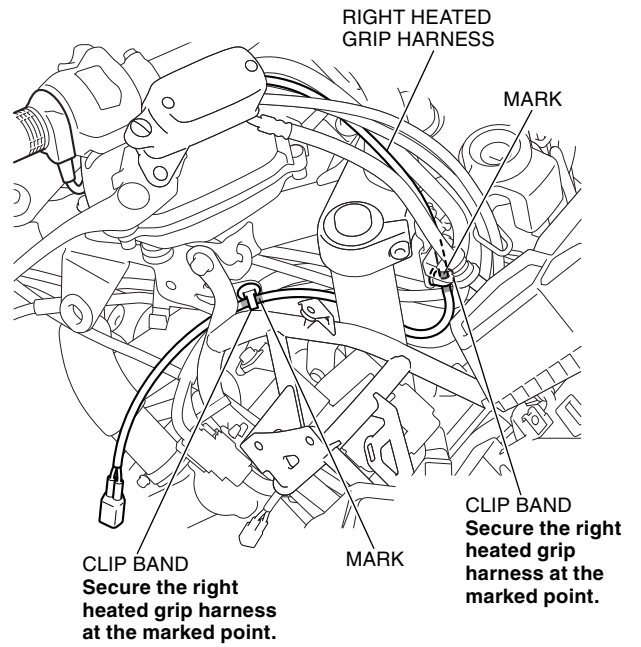
39. Install the clip bands as shown.



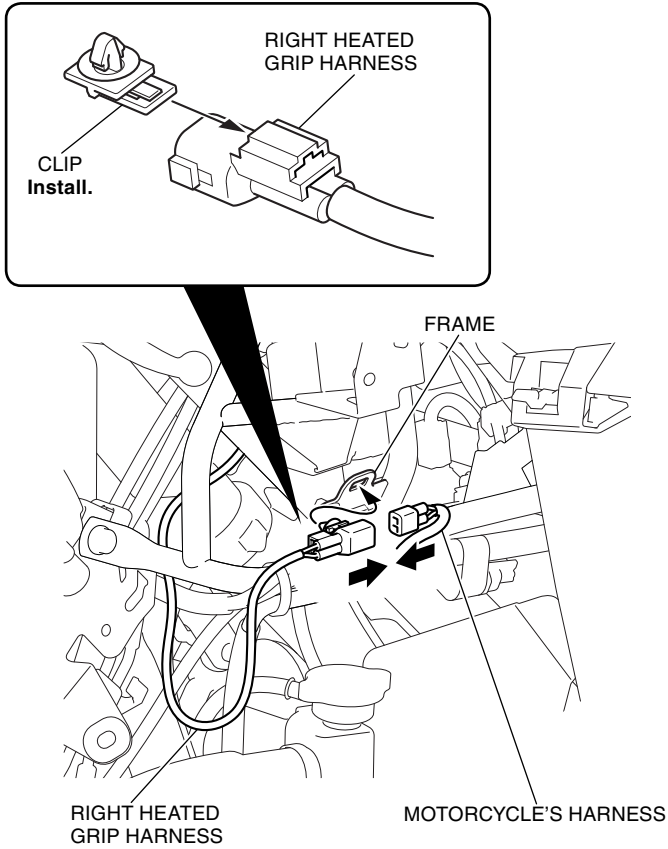
40. Route the right heated grip harness as shown.



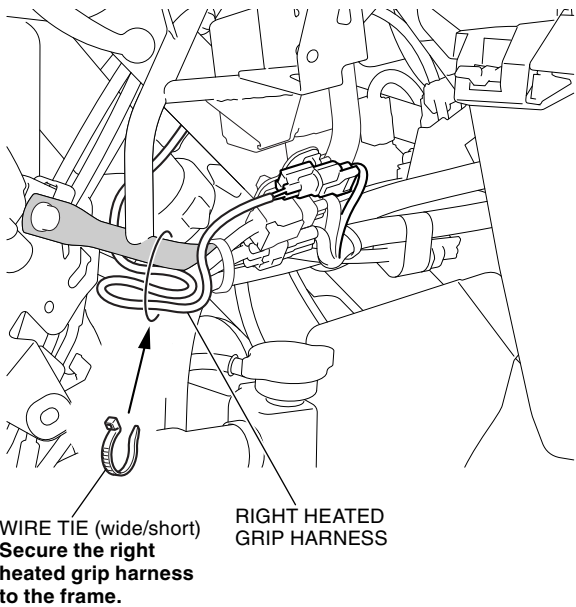
41. Secure the right heated grip harness to the clip bands as shown.



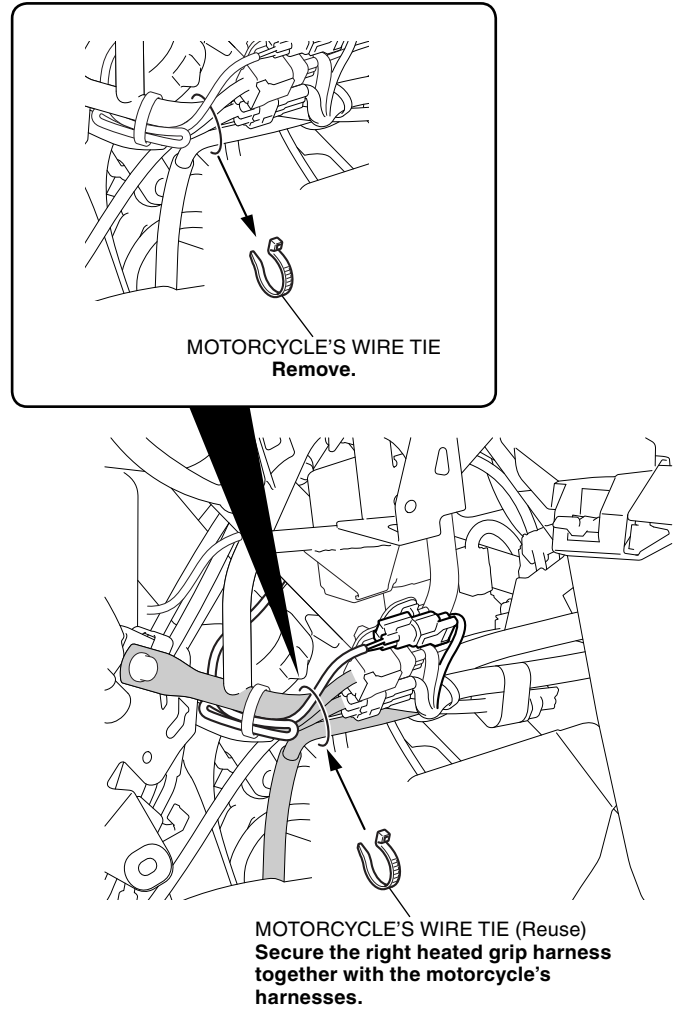
42. Connect and secure the right heated grip harness as shown.



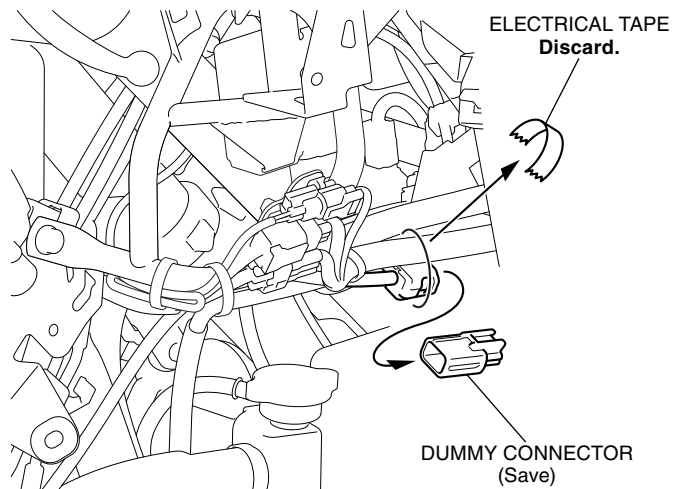
43. Bundle the right heated grip harness with the wire tie as shown.



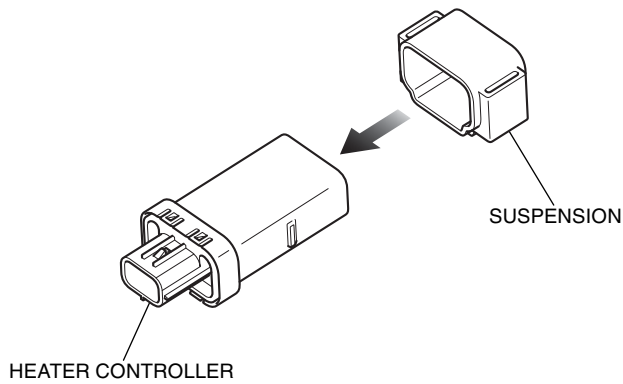
44. Secure the right heated grip harness with the wire tie as shown.



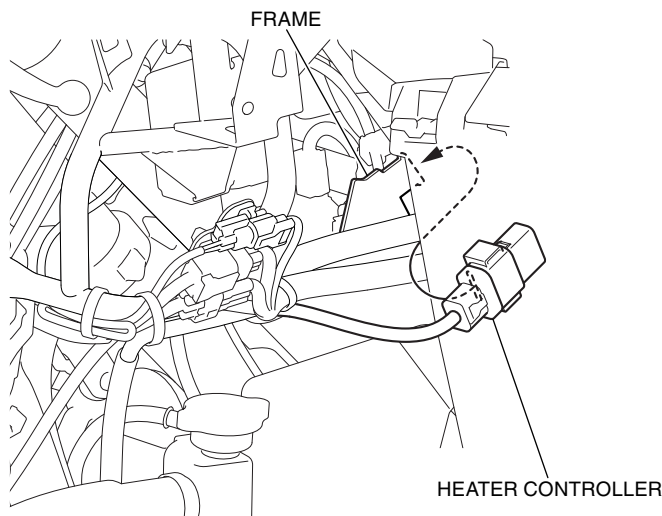
45. Remove the dummy connector as shown.



46. Install the suspension as shown.



47. Connect and secure the heater controller as shown.



48. Check each harness for sufficient play.

- **Move the handlebar right and left and check that the harnesses are not pinched by the neighboring components and that they are not pulled taut.**

49. Install the removed parts in the reverse order of removal.

- **Confirm that the harness is not caught or too tight.**

50. Check the heated grips, throttle, headlight and the other lights for proper operation.

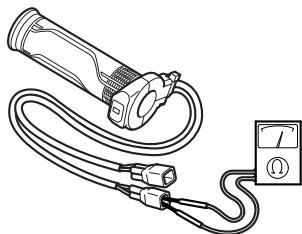
- **Perform the operation check at least one hour after attaching the left grip heater. Do not set the heater level at more than 3.**
- **Make sure to turn off the heater switch after the operation check.**

Please convey the following information to the customer before delivery.

- **Do not set the heater level higher than 1 for one week after installation to allow the handgrip cement to fully cure.**

DEALER TROUBLESHOOTING

- Stop the engine and turn the ignition switch OFF when you check the parts and circuits other than those of the heated grips.

Symptom	Check
Heated grips do not operate; • Faulty heated grips • Faulty heated grip coil • Open or short circuit in heater harness	<ol style="list-style-type: none"> 1. Check whether wires and cables (terminals and connectors) are connected securely. 2. Heated grip inspection Check for resistance between the terminals. ➔ Standard: Right : 8.2 ohms +/- 10% Left : 8.2 ohms +/- 10%  3. Heater harness inspection: Check for continuity. 4. If no abnormality is found after the above checks 1, 2, and 3, but the heated grip still does not operate properly, replace the heated grip with a new one. <ul style="list-style-type: none"> • It is hard to check the switch with ordinary inspection methods (for continuity, voltage, etc.) because it contains an integrated circuit.