



Assembly, Installation, Operation and Maintenance Instructions

RH/LH Friction Sway Control

Part # 34715/37498

Dealer / Installer:	Provide a copy of these Instructions to the end user of this product. These Instructions provide important operating and safety information for proper usage of this product. Demonstrate the proper use of the product with the end user. Have the end user demonstrate that they understand the proper use of the product.
End User:	Read and follow all instructions included in this manual. Ask your Dealer / Installer for assistance if you do not understand the proper use of the product. Never remove any decals from the product.

- **Warning**, by towing a trailer, you change the handling characteristics of the tow vehicle.
- **Warning**, Short wheel base vehicles may induce sway when towing a trailer. USE EXTREME CAUTION.
- Any welding should be done by a qualified welding shop.

Installation instructions:

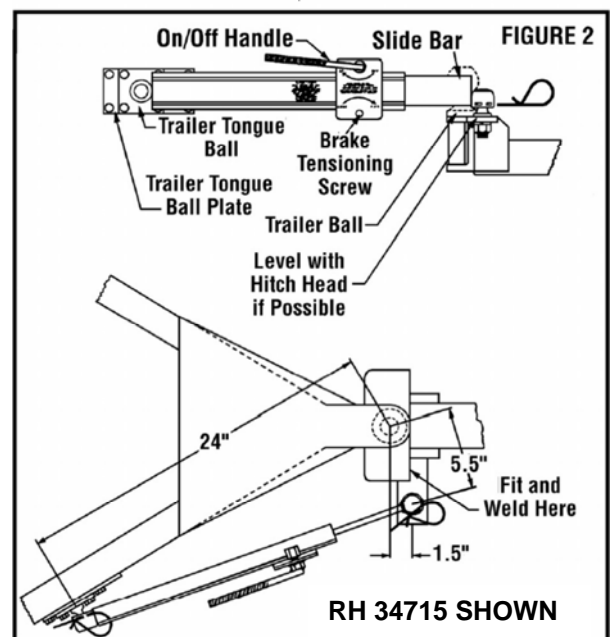
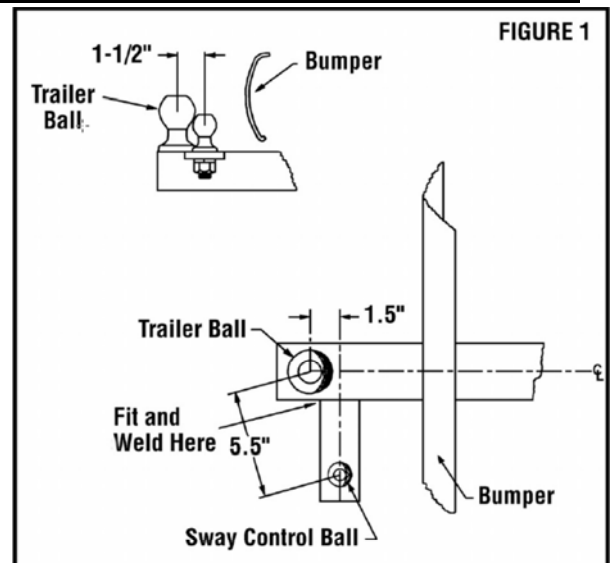
Most weight distributing ball mounts come equipped with a sway control ball mount attached. If so, attach the sway control ball to the ball mount using the hole provided. Tighten the sway control ball to 135 ft-lb torque. If no sway control ball mount is provided, then use the optional ball mount bar (Item #34845 included with LH 37498) and weld to the ball mount as shown in fig. 1 (Right hand setup is shown). You will want to position the ball mount bar (item #34845) on the side of the draw bar where you intend on attaching the friction sway unit to the side of the trailer.

Note which side of the draw bar the ball mount is on as this will be the side of the trailer you will attach the trailer frame sway ball plate on. Measure 24" from the center of the coupler ball socket down the side of the frame and mark this position. Place the trailer ball plate against the side of the frame (level). Then transfer the punch holes from the trailer tongue ball plate assy. to the trailer frame and drill 11/32" holes. Attach the trailer tongue ball plate assy. to the trailer frame using the self-tapping screws provided. See Fig. 2.

Warning! The sway control **CAN NOT** be used on trailers with surge brakes! **DO NOT** speed up if sway occurs. Sway increases with speed. If sway continues, stop the vehicle and inspect all equipment and trailer loading until the cause has been determined and corrected. Trailers should be loaded with heavy items on the floor, in front of the axle. The load should be balanced side to side. Tongue weight should be 10-15% of gross trailer weight for most trailers. Insufficient tongue weight or tail-heavy trailers can cause sway. When towing in slippery conditions, such as wet, icy, gravel or snow covered roads, the sway control must be removed. Never paint or lubricate the slide bar.

If the trailer is 24' or longer, the use of both a right hand (item #34715) and left hand sway control (item #37498) is recommended.

Warning! Check all mounting bolts and attachment points for the sway control, hitch and related components every 500 miles, or per the manufacturer's instructions. Whichever is more frequent.

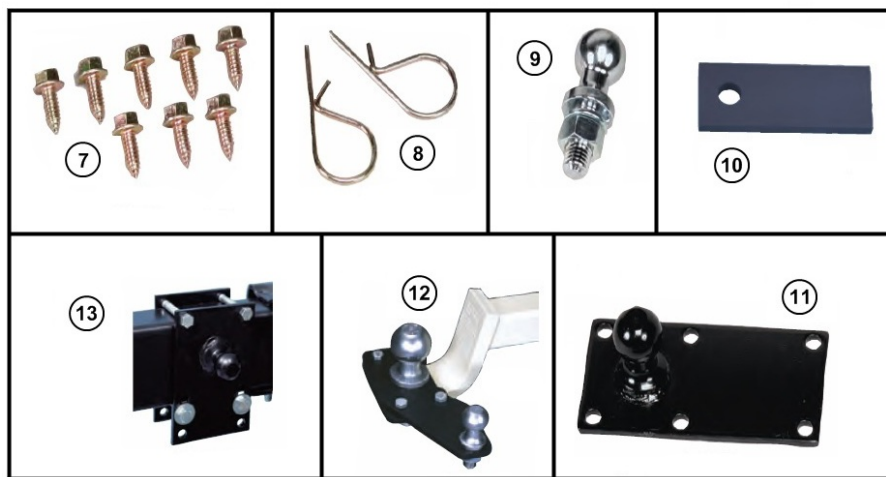


Use:

Hook up the trailer to the tow vehicle. Lubricate the threads on the handle with a drop of oil and apply grease to the inside of the sockets at each end of the sway unit. Attach the socket on the slide bar to the sway control ball on the ball mount. Secure in place, using a spring clip. Turn the On/Off handle 3 turns (or enough so the slide bar moves freely) counterclockwise to release tension. Place the socket on the main body onto the trailer tongue ball. Secure in place, using a spring clip.

Turning the On/Off handle clockwise, until the threads bottom out and handle is parallel with the main body (you can turn the handle counter clockwise some if needed.) With a second person watching the sway control & trailer, slowly back the trailer in both directions to a jackknife position and check that the sway control does not hit the bumper or trailer frame and that it does not become fully compressed or come apart. **If any of these items occur when jackknifed, the sway control must be removed while backing.** Road & weather conditions, loading & design of the trailer as well as power steering, wheel alignment and the oscillation point of the tow vehicle & trailer all affect towing characteristics.

Starting with the factory preset tension, road test the sway control. If this is not enough sway control, then adjust the brake tension screw 1/4 turn clockwise. Road test again and repeat (if necessary) until proper sway control is achieved. Larger or heavier trailers or broad sided trailers may require the use of two sway controls. After a 1,000-mile break in period, remove the slide bar and clean it using a wire brush or steel wool. **IMPORTANT!** Do not lubricate or use any cleaning solution on the friction pads or slide bar, dry cloth only. The slide bar should then be cleaned every 10,000 miles. Check all other mounting bolts and attachment points for the sway control, hitch and related components every 500 miles, or per the manufacturer's instructions. Whichever is more frequent.



ITEM	DESCRIPTION	QTY	IN KIT?	SERVICE KIT
1	MAIN BODY	1	YES	NA
2	CRANK HANDLE	1	YES	34847
3	WASHER	1	YES	NA
4	SLIDE BAR	1	YES	34846
5	COMPRESSION PLATE	1	YES	NA
6	TENSION ADJUSTMENT SCREW	1	YES	NA
7	SELF TAPPING SCREW	8	YES	71195
8	SPRING CLIP	2	YES	34853
9	BALL, WASHER & NUT ASSY	1	YES	33842
10	WELD ON BALL MOUNT	1	LH 37498 ONLY	34845
11	TRAILER TONGUE BALL PLATE	1	NO	34842
12	BALL MOUNT ADAPTER, BOXED	1	NO	39585
13	CLAMP-ON SWAY CONTROL BALL KIT(NO DRILL)	1	NO	38964

All Products limited to Vehicle Tow Rating; see Vehicle Owners Manual